

Crawler Excavator

R 914 C

Litronic®

Operating Weight: 23,730 – 25,930 kg
Engine Output: 115 kW / 157 HP
Bucket Capacity: 0,30 – 1,40 m³



LIEBHERR

Technical Data



Engine

Rating per ISO 9249	115 kW (157 HP) at 1800 RPM
Model	Liebherr D 934 S
Type	4 cylinder in-line
Bore/Stroke	122/136 mm
Displacement	6,36 l
Engine operation	4-stroke diesel unit pump system turbo-charged after-cooled and fuel cooled reduced emissions
Cooling	water-cooled and integrated motor oil cooler
Air cleaner	dry-type air cleaner with pre-cleaner, primary and safety elements
Fuel tank	380 l
Electrical system	
Voltage	24 V
Batteries	2 x 135 Ah/12 V
Starter	24 V/6,6 kW
Alternator	three phase current 28 V/80 A
Engine idling	sensor controlled



Hydraulic System

Hydraulic pump	LSC control system (Liebherr-Synchron-Comfort), regulation with Liebherr variable flow swash plate double pump
Max. flow	2 x 214 l/min.
Max. pressure	350 bar
Pump regulation	electro-hydraulic with electronic engine speed sensing regulation, pressure compensation, flow com-pensation, automatic oil flow optimizer, swing circuit with priority and torque control
Hydraulic tank	290 l
Hydraulic system	max. 500 l
Hydraulic oil filter	1 full flow filter (20 µm) in return line with integrated fine filter area (5 µm)
Hydraulic oil cooler	compact cooler, consisting of a water cooler, sandwiched with hydraulic oil cooler, fuel cooler and after-cooler cores and hydrostatically driven fan
MODE selection	adjustment of machine performance and the hydraulics via a mode selector to match application
ECO	for especially economical and environmentally friendly operation
POWER	for maximum digging power and heavy duty jobs
LIFT	for lifting
FINE	for precision work and lifting through very sensitive movements
Super-Finish	adjustable working speed for precision work
RPM adjustment	stepless adjustment of engine output via the rpm at each selected mode
Liebherr Tool Control	ten preadjustable pump flows and pressures for add on tools



Hydraulic Controls

Power distribution	via control valve with integrated safety valves, simultaneous and independent operation of travel drive, swing drive and work attachment
Servo circuit	
Attachment and swing	proportional via joystick levers
Travel	– proportional via foot pedals or removable hand levers – speed pre-selection
Additional functions	via foot pedals or joystick toggle switch



Swing Drive

Drive by	swash plate motor with integrated control valve and torque control
Transmission	Liebherr compact planetary reduction gear
Swing ring	Liebherr, sealed single race ball bearing swing ring, internal teeth
Swing speed	0–9 RPM stepless
Swing torque	66,0 kNm
Holding brake	wet multi-disc (spring applied, pressure released)
Option	pedal controlled positioning brake



Operator's Cab

Cab	built from deep drawn components, resiliently mounted, sound insulated, tinted windows, front window stores overhead, door with sliding window
Operator's seat	shock absorbing suspension, adjustable to operator's weight, 6-way adjustable seat
Joysticks	integrated into adjustable seat consoles
Monitoring	menu driven query of current operating conditions via the LCD display. Automatic monitoring, display, warning (acoustical and optical signal) and saving machine malfunction data, for example, engine overheating, low engine oil pressure or low hydraulic oil level
Heating system	standard air conditioning, combined cooler/heater, additional dust filter in fresh air/recirculated
Noise emission	
ISO 6396	L_{PA} (inside cab) = 72 dB(A)
2000/14/EC	L_{WA} (surround noise) = 103 dB(A)



Undercarriage

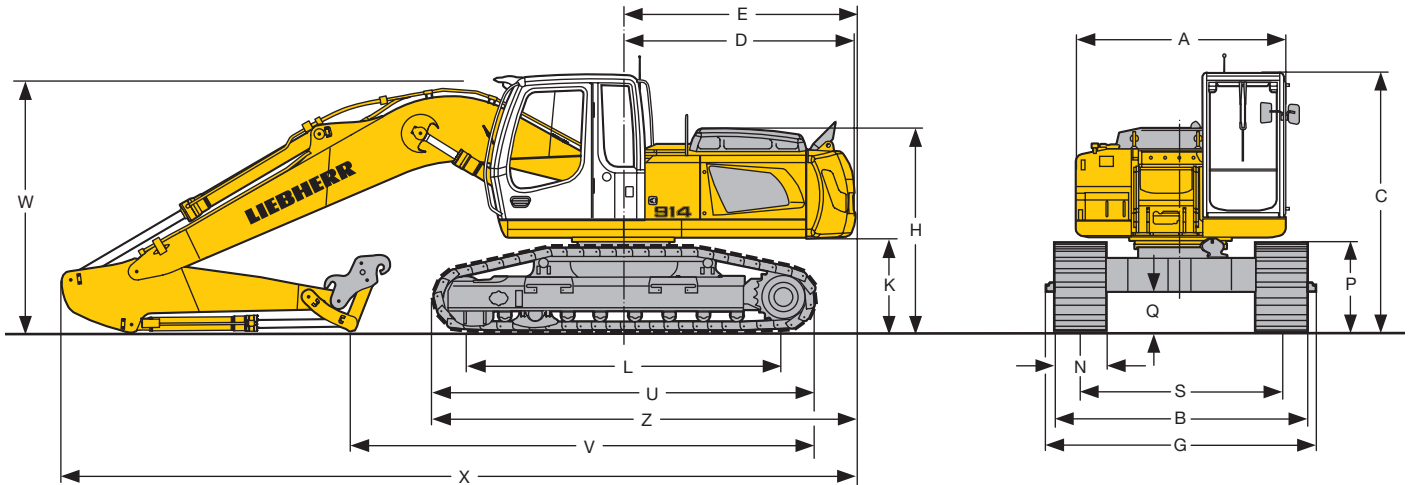
Versions	
HD-S	heavy duty, narrow gauge
HD-SL	heavy duty, wide gauge (2000 mm, 2250 mm or 2400 mm) with longer crawler length
Drive	Liebherr swash plate motors with integrated brake valves on both sides
Transmission	Liebherr planetary reduction gears
Travel speed	HD-S: low range –3,2 km/h high range –5,3 km/h HD-SL: low range –3,1 km/h high range –5,2 km/h
Drawbar pull max.	HD-S: 260 kN HD-SL: 264 kN
Track components	HD-S: D 6 C, maintenance-free HD-SL: B 60, maintenance-free
Track rollers/Carrier rollers	HD-S: 7/2 HD-SL: 8/2
Tracks	sealed and greased
Track pads	triple grouser
Digging locks	wet multi-discs (spring applied, pressure released)
Brake valves	integrated into travel motor



Attachment

Type	combination of resistant steel plates and cast steel components
Hydraulic cylinders	Liebherr cylinders with special seal-system, shock absorbed
Pivots	sealed, low maintenance
Lubrication	semi-automatic central lubrication system (except link and tilt geometry)
Hydraulic connections	pipes and hoses equipped with SAE split-flange connections
Bucket	standard equipped with 12 t safety hook for lifting

Dimensions



	HD-S 2000 mm	HD-SL 2000 mm	HD-SL 2250 mm	HD-SL 2400 mm
A	2500	2500	2500	2500
C	3090	3070	3070	3070
D	2770	2770	2770	2770
E	2790	2790	2790	2790
H	2445	2425	2425	2425
K	1115	1100	1100	1100
L	3432	3748	3748	3748
P	1030	995	995	995
Q	475	470	470	470
S	2000	2000	2250	2400
U	4265	4555	4555	4555
N	500 600 750	500 600 750	500 600 750	500 600 750
B	2505 2600 2750	2505 2600 2750	2816 2850 3000	2966 3000 3150
G	2765 2765 2765	2765 2765 2765	3010 3010 3010	3160 3160 3160
Z	4905	5050	5050	5050

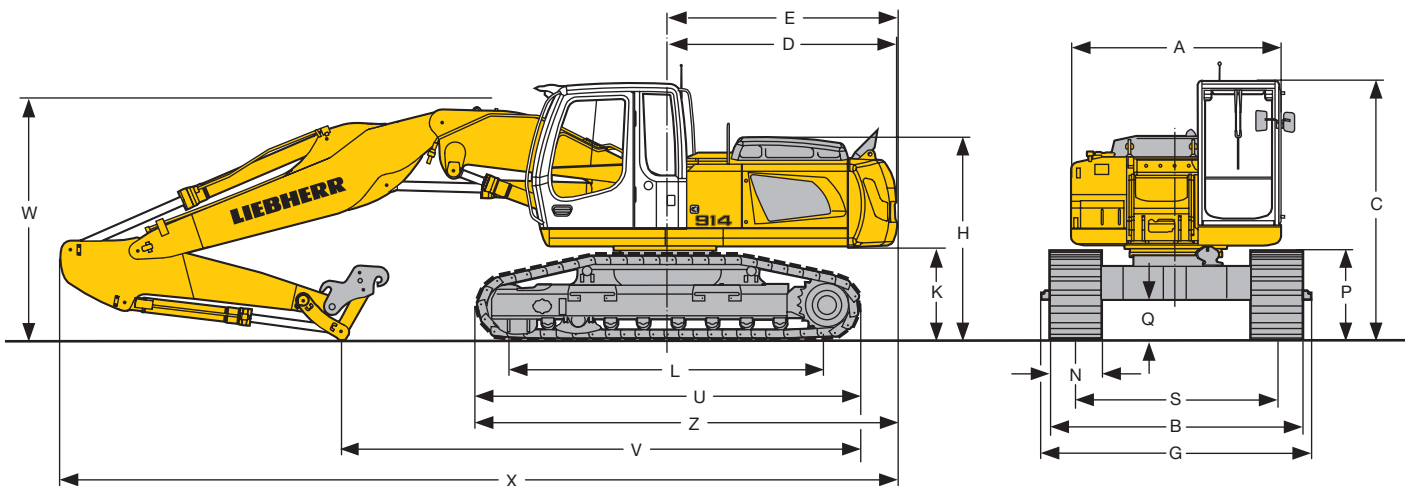
E = Tail radius
G = Width with removable catwalks

Gooseneck Boom 5,70 m with HD-S- and HD-SL-Undercarriage					
Stick length	m	2,40	2,70	3,00	3,70
V for HD-S-Undercarriage	mm	5450	5100	4850	4265
V for HD-SL-Undercarriage	mm	5600	5250	5000	4555
W	mm	3000	3000	3000	3100
X	mm	9500	9500	9500	9550

Straight Gooseneck Boom 6,00 m with HD-S- and HD-SL-Undercarriage					
Stick length	m	2,40	2,70	3,00	3,70
V for HD-S-Undercarriage	mm	5950	5700	5450	5050
V for HD-SL-Undercarriage	mm	6100	5850	5600	5200
W	mm	2800	2850	2900	3150
X	mm	9900	9900	9900	9950

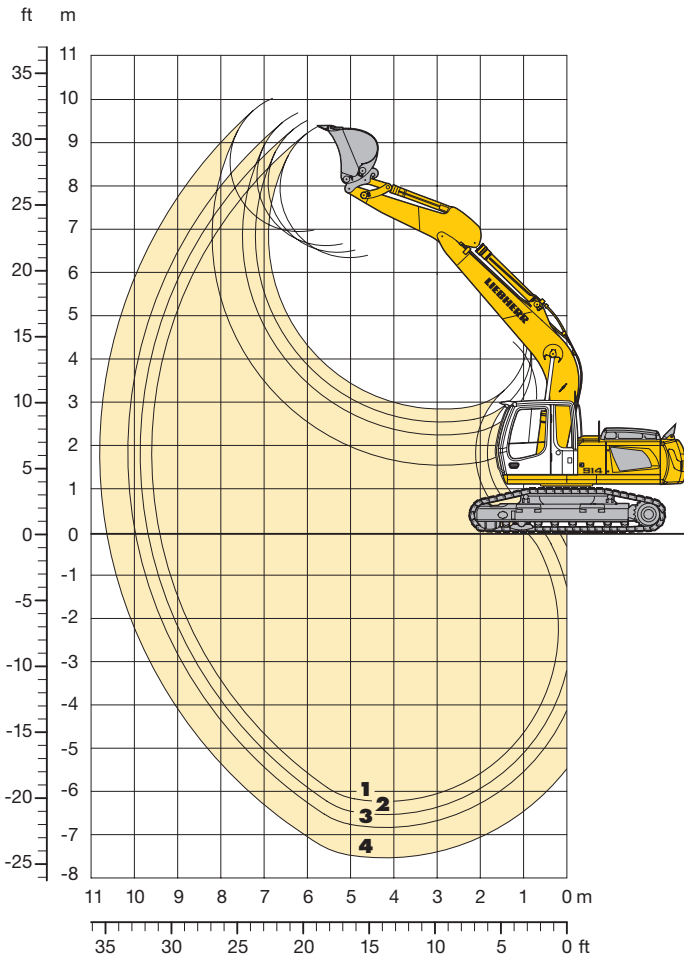
Hydraulically Adjustable Boom 4,00 m with HD-S- and HD-SL-Undercarriage					
Stick length	m	2,40	2,70	3,00	3,70
V for HD-S-Undercarriage	mm	6050	5800	5600	5150
V for HD-SL-Undercarriage	mm	6200	5950	5750	5300
W	mm	2850	2900	2950	3150
X	mm	10100	10100	10100	10150

Adjustable Offset Boom 5,70 m with HD-S- and HD-SL-Undercarriage					
Stick length	m	2,40	2,70	3,00	3,70
V for HD-S-Undercarriage	mm	5400	5100	4800	4265
V for HD-SL-Undercarriage	mm	5550	5250	4950	4555
W	mm	2900	2900	2900	2900
X	mm	9500	9500	9500	9500



Backhoe Attachment

with Gooseneck Boom 5,70 m



Digging Envelope

with Quick Change Adapter

		1	2	3	4
Stick lengths	m	2,40	2,70	3,00	3,70
Max. digging depth	m	6,20	6,50	6,80	7,50
Max. reach at ground level	m	9,40	9,65	9,95	10,60
Max. dump height	m	6,35	6,45	6,65	6,95
Max. teeth height	m	9,40	9,50	9,70	10,05

Digging Forces

without Quick Change Adapter

		1	2	3	4
Digging force ISO	kN	121	111	103	88
	t	12,3	11,3	10,5	9,0
Breakout force ISO	kN	165	165	165	165
	t	16,8	16,8	16,8	16,8

with Quick Change Adapter

Digging force ISO	kN	113	105	98	85
	t	11,5	10,7	10,0	8,7
Breakout force ISO	kN	142	142	142	142
	t	14,5	14,5	14,5	14,5

Max. breakout force with ripper bucket

204 kN (20,8 t)¹⁾

Operating Weight and Ground Pressure

Operating weight includes basic machine with gooseneck boom 5,70 m, stick 2,40 m, quick change adapter 48 and bucket 1,00 m³.

Undercarriage		HD-S 2000			HD-SL 2000		
Pad width	mm	500	600	750	500	600	750
Weight	kg	24055	24410	24935	23730	24005	24420
Ground pressure	kg/cm ²	0,65	0,55	0,45	0,59	0,50	0,40

Undercarriage		HD-SL 2250			HD-SL 2400		
Pad width	mm	500	600	750	500	600	750
Weight	kg	23750	24025	24440	23825	24100	24515
Ground pressure	kg/cm ²	0,59	0,50	0,40	0,59	0,50	0,41

Optional: heavy duty counterweight

(Heavy duty counterweight increases the operating weight by 1000 kg and ground pressure by 0,02 kg/cm²)

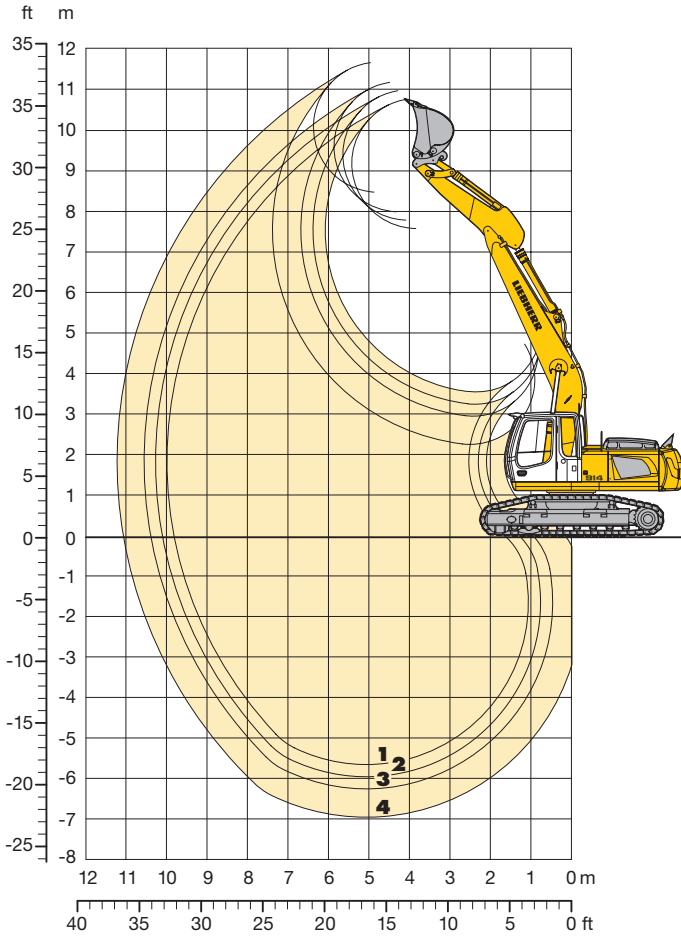
Buckets

		without Quick Change Adapter					with Quick Change Adapter			
Cutting width SAE	mm	650 ¹⁾	1050	1250	1400	1400	1050	1250	1400	1400
Capacity ISO 7451	m ³	0,30	0,80	1,00	1,20	1,40	0,80	1,00	1,20	1,40
Max. possible material weight	t/m ³	1,8	1,8	1,8	1,8	1,5	1,8	1,8	1,5	1,2
Weight bucket Std with Liebherr teeth Z 13	kg	–	720	805	870	925	710	805	860	–
Weight bucket HD with Liebherr teeth Z 16	kg	890	830	950	1040	–	825	945	1010	1065
Max. stick length for machine stability per ISO 10567:										
Undercarriage HD-S 2000	m	3,70	3,70	3,00	2,40	2,40	3,70	3,00	2,40	2,40
Undercarriage HD-SL 2000	m	3,70	3,70	3,00	2,40	2,40	3,70	3,00	2,40	2,40
Undercarriage HD-SL 2250	m	3,70	3,70	3,70	3,00	3,00	3,70	3,70	3,00	3,00
Undercarriage HD-SL 2400	m	3,70	3,70	3,70	3,00	3,00	3,70	3,70	3,00	3,00

¹⁾ Ripper bucket with Liebherr teeth size Z 20 P

Backhoe Attachment

with Straight Gooseneck Boom 6,00 m



Digging Envelope with Quick Change Adapter

		1	2	3	4
Stick lengths	m	2,40	2,70	3,00	3,70
Max. digging depth	m	5,65	5,95	6,25	6,95
Max. reach at ground level	m	9,80	10,10	10,40	11,05
Max. dump height	m	7,55	7,80	8,00	8,45
Max. teeth height	m	10,75	10,95	11,20	11,65

Digging Forces without Quick Change Adapter

		1	2	3	4
Digging force ISO	kN	121	111	103	88
	t	12,3	11,3	10,5	9,0
Breakout force ISO	kN	165	165	165	165
	t	16,8	16,8	16,8	16,8

with Quick Change Adapter

Digging force ISO	kN	113	105	98	85
	t	11,5	10,7	10,0	8,7
Breakout force ISO	kN	142	142	142	142
	t	14,5	14,5	14,5	14,5

Max. breakout force with ripper bucket 204 kN (20,8 t)¹⁾

Operating Weight and Ground Pressure

Operating weight includes basic machine with gooseneck boom 6,00 m, stick 2,40 m, quick change adapter 48 and bucket 1,00 m³.

Undercarriage		HD-S 2000			HD-SL 2000		
Pad width	mm	500	600	750	500	600	750
Weight	kg	24075	24430	24955	23750	24025	24440
Ground pressure	kg/cm ²	0,65	0,55	0,45	0,59	0,50	0,40

Undercarriage		HD-SL 2250			HD-SL 2400		
Pad width	mm	500	600	750	500	600	750
Weight	kg	23770	24045	24460	23845	24120	24535
Ground pressure	kg/cm ²	0,59	0,50	0,40	0,59	0,50	0,41

Optional: heavy duty counterweight
(Heavy duty counterweight increases the operating weight by 1000 kg and ground pressure by 0,02 kg/cm²)

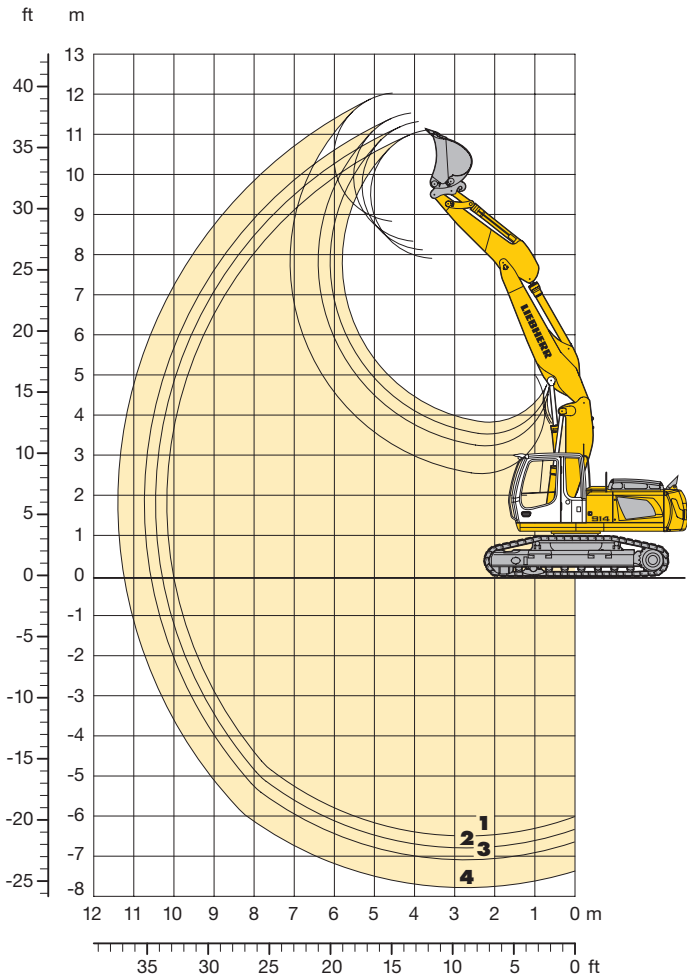
Buckets

		without Quick Change Adapter					with Quick Change Adapter			
Cutting width SAE	mm	650 ¹⁾	1050	1250	1400	1400	1050	1250	1400	1400
Capacity ISO 7451	m ³	0,30	0,80	1,00	1,20	1,40	0,80	1,00	1,20	1,40
Max. possible material weight	t/m ³	1,8	1,8	1,8	1,8	1,5	1,8	1,8	1,5	1,2
Weight bucket Std with Liebherr teeth Z 13	kg	–	720	805	870	925	710	805	860	–
Weight bucket HD with Liebherr teeth Z 16	kg	890	830	950	1040	–	825	945	1010	1065
Max. stick length for machine stability per ISO 10567:										
Undercarriage HD-S 2000	m	3,70	3,70	3,00	2,40	2,40	3,70	3,00	2,40	2,40
Undercarriage HD-SL 2000	m	3,70	3,70	3,00	2,40	2,40	3,70	3,00	2,40	2,40
Undercarriage HD-SL 2250	m	3,70	3,70	3,70	3,00	3,00	3,70	3,70	3,00	3,00
Undercarriage HD-SL 2400	m	3,70	3,70	3,70	3,00	3,00	3,70	3,70	3,00	3,00

¹⁾ Ripper bucket with Liebherr teeth size Z 20 P

Backhoe Attachment

with Hydr. Adjustable Main Boom 4,00 m



Digging Envelope with Quick Change Adapter

		1	2	3	4
Stick lengths	m	2,40	2,70	3,00	3,70
Max. digging depth	m	6,45	6,75	7,05	7,75
Max. reach at ground level	m	10,00	10,25	10,55	11,20
Max. dump height	m	7,90	8,15	8,35	8,85
Max. teeth height	m	11,10	11,30	11,55	12,05

Digging Forces without Quick Change Adapter

		1	2	3	4
Digging force ISO	kN	121	111	103	88
	t	12,3	11,3	10,5	9,0
Breakout force ISO	kN	165	165	165	165
	t	16,8	16,8	16,8	16,8

with Quick Change Adapter

Digging force ISO	kN	113	105	98	85
	t	11,5	10,7	10,0	8,7
Breakout force ISO	kN	142	142	142	142
	t	14,5	14,5	14,5	14,5

Max. breakout force with ripper bucket 204 kN (20,8 t)¹⁾

Operating Weight and Ground Pressure

Operating weight includes basic machine with hydraulically adjustable main boom 4,00 m, stick 2,40 m, quick change adapter 48 and bucket 1,00 m³.

Undercarriage		HD-S 2000			HD-SL 2000		
Pad width	mm	500	600	750	500	600	750
Weight	kg	25050	25405	25930	24725	25000	25415
Ground pressure	kg/cm ²	0,67	0,57	0,47	0,61	0,52	0,42

Undercarriage		HD-SL 2250			HD-SL 2400		
Pad width	mm	500	600	750	500	600	750
Weight	kg	24745	25020	25435	24820	25095	25510
Ground pressure	kg/cm ²	0,61	0,52	0,42	0,62	0,52	0,42

Optional: heavy duty counterweight

(Heavy duty counterweight increases the operating weight by 1000 kg and ground pressure by 0,02 kg/cm²)

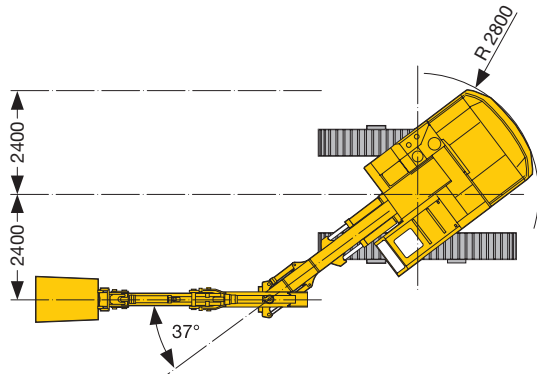
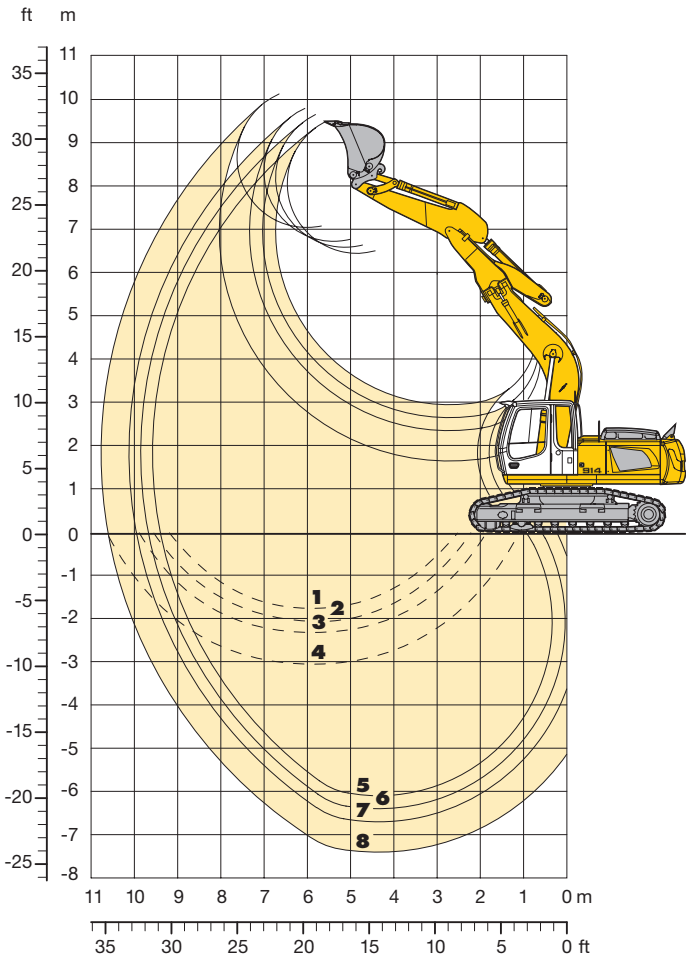
Buckets

		without Quick Change Adapter					with Quick Change Adapter			
Cutting width SAE	mm	650 ¹⁾	1050	1250	1400	1400	1050	1250	1400	1400
Capacity ISO 7451	m ³	0,30	0,80	1,00	1,20	1,40	0,80	1,00	1,20	1,40
Max. possible material weight (HD-S 2000/HD-SL 2000)	t/m ³	1,8	1,8	1,8	1,5	1,2	1,8	1,8	1,2	–
Max. possible material weight (HD-SL 2250/HD-SL 2400)	t/m ³	1,8	1,8	1,8	1,8	1,5	1,8	1,8	1,5	1,2
Weight bucket Std with Liebherr teeth Z 13	kg	–	720	805	870	925	710	805	860	–
Weight bucket HD with Liebherr teeth Z 16	kg	890	830	950	1040	–	825	945	1010	1065
Max. stick length for machine stability per ISO 10567:										
Undercarriage HD-S 2000	m	3,70	3,00	2,40	2,40	2,40	3,00	2,40	2,40	–
Undercarriage HD-SL 2000	m	3,70	3,00	2,40	2,40	2,40	3,00	2,40	2,40	–
Undercarriage HD-SL 2250	m	3,70	3,70	3,00	2,40	2,40	3,70	3,00	2,40	2,40
Undercarriage HD-SL 2400	m	3,70	3,70	3,00	2,40	2,40	3,70	3,00	2,40	2,40

¹⁾ Ripper bucket with Liebherr teeth size Z 20 P

Backhoe Attachment

with Adjustable Offset Boom 5,70 m



Digging Envelope

with Quick Change Adapter

		5	6	7	8
Stick lengths	m	2,40	2,70	3,00	3,70
Max. digging depth	m	6,05	6,35	6,65	7,35
Max. reach at ground level	m	9,35	9,65	9,90	10,55
Max. dump height	m	6,45	6,60	6,70	7,05
Max. teeth height	m	9,50	9,65	9,80	10,10

- 1 with stick 2,40 m
 - 2 with stick 2,70 m
 - 3 with stick 3,00 m
 - 4 with stick 3,70 m
- at max. attachment offset with vertical ditch walls
- 5 with stick 2,40 m
 - 6 with stick 2,70 m
 - 7 with stick 3,00 m
 - 8 with stick 3,70 m
- with set straight boom

Digging Forces

without Quick Change Adapter

Digging force ISO	kN	121	111	103	88
	t	12,3	11,3	10,5	9,0
Breakout force ISO	kN	165	165	165	165
	t	16,8	16,8	16,8	16,8

with Quick Change Adapter

Digging force ISO	kN	113	105	98	85
	t	11,5	10,7	10,0	8,7
Breakout force ISO	kN	142	142	142	142
	t	14,5	14,5	14,5	14,5

Max. breakout force with ripper bucket 204 kN (20,8 t)¹⁾

Operating Weight and Ground Pressure

Operating weight includes basic machine with adjustable offset boom 5,70 m, stick 2,40 m, quick change adapter 48 and bucket 1,00 m³.

Undercarriage		HD-SL 2250			HD-SL 2400		
Pad width	mm	500	600	750	500	600	750
Weight	kg	24600	24875	25290	24675	24950	25365
Ground pressure	kg/cm ²	0,61	0,51	0,42	0,61	0,52	0,42

Optional: heavy duty counterweight
(Heavy duty counterweight increases the operating weight by 1000 kg and ground pressure by 0,02 kg/cm²)

Buckets

		without Quick Change Adapter					with Quick Change Adapter			
Cutting width SAE	mm	650 ¹⁾	1050	1250	1400	1400	1050	1250	1400	1400
Capacity ISO 7451	m ³	0,30	0,80	1,00	1,20	1,40	0,80	1,00	1,20	1,40
Max. possible material weight	t/m ³	1,8	1,8	1,8	1,8	1,5	1,8	1,8	1,5	1,2
Weight bucket Std										
with Liebherr teeth Z 13	kg	-	720	805	870	925	710	805	860	-
Weight bucket HD										
with Liebherr teeth Z 16	kg	890	830	950	1040	-	825	945	1010	1065
Max. stick length for machine stability per ISO 10567:										
Undercarriage HD-SL 2250	m	3,70	3,70	3,00	2,40	2,40	3,70	3,00	2,40	2,40
Undercarriage HD-SL 2400	m	3,70	3,70	3,00	2,40	2,40	3,70	3,00	2,40	2,40

¹⁾ Ripper bucket with Liebherr teeth size Z 20 P

Lift Capacities

with Adjustable Offset Boom 5,70 m

Stick 2,40 m

Height (m)	Under-carriage	Radius of load from centerline of machine (m)				
		3,0	4,5	6,0	7,5	9,0
9,0	HD-SL 2250					
	HD-SL 2400					
7,5	HD-SL 2250					
	HD-SL 2400					
6,0	HD-SL 2250			5,1 (5,3#)		
	HD-SL 2400			5,3# (5,3#)		
4,5	HD-SL 2250		6,9# (6,9#)	4,8 (5,7#)	3,2 (4,3#)	
	HD-SL 2400		6,9# (6,9#)	5,2 (5,7#)	3,5 (4,3#)	
3,0	HD-SL 2250	10,3# (10,3#)	6,8 (8,4#)	4,4 (6,4#)	3,0 (5,4#)	
	HD-SL 2400	10,3# (10,3#)	7,4 (8,4#)	4,8 (6,4#)	3,3 (5,4#)	
1,5	HD-SL 2250		6,0 (9,6#)	4,0 (7,0#)	2,9 (5,2)	
	HD-SL 2400		6,5 (9,6#)	4,3 (7,0#)	3,1 (5,3)	
0	HD-SL 2250	7,8# (7,8#)	5,5 (10,0#)	3,7 (7,1)	2,7 (5,1)	
	HD-SL 2400	7,8# (7,8#)	6,1 (10,0#)	4,1 (7,1)	3,0 (5,1)	
- 1,5	HD-SL 2250	10,5 (11,8#)	5,4 (9,6#)	3,6 (7,0)		
	HD-SL 2400	11,8 (11,8#)	6,0 (9,6#)	3,9 (7,0)		
- 3,0	HD-SL 2250	10,8 (11,3#)	5,5 (8,4#)	3,7 (6,2#)		
	HD-SL 2400	11,3# (11,3#)	6,1 (8,4#)	4,0 (6,2#)		
- 4,5	HD-SL 2250	7,7# (7,7#)	5,9# (5,9#)			
	HD-SL 2400	7,7# (7,7#)	5,9# (5,9#)			
- 6,0	HD-SL 2250					
	HD-SL 2400					

Stick 2,70 m

Height (m)	Under-carriage	Radius of load from centerline of machine (m)				
		3,0	4,5	6,0	7,5	9,0
9,0	HD-SL 2250					
	HD-SL 2400					
7,5	HD-SL 2250			3,6# (3,6#)		
	HD-SL 2400			3,6# (3,6#)		
6,0	HD-SL 2250			5,1# (5,1#)		
	HD-SL 2400			5,1# (5,1#)		
4,5	HD-SL 2250			4,9 (5,5#)	3,3 (4,7#)	
	HD-SL 2400			5,2 (5,5#)	3,5 (4,7#)	
3,0	HD-SL 2250	12,9 (12,9#)	6,9 (8,0#)	4,4 (6,2#)	3,1 (5,2#)	
	HD-SL 2400	12,9# (12,9#)	7,5 (8,0#)	4,8 (6,2#)	3,3 (5,2#)	
1,5	HD-SL 2250		6,3# (6,3#)	6,1 (9,4#)	4,0 (6,8#)	2,9 (5,2)
	HD-SL 2400		6,3# (6,3#)	6,6 (9,4#)	4,4 (6,8#)	3,1 (5,3)
0	HD-SL 2250		7,9# (7,9#)	5,6 (9,9#)	3,7 (7,1)	2,7 (5,1)
	HD-SL 2400		7,9# (7,9#)	6,1 (9,9#)	4,1 (7,1)	2,9 (5,1)
- 1,5	HD-SL 2250	10,4 (11,2#)	5,4 (9,7#)	3,6 (6,9)	2,6 (5,0)	
	HD-SL 2400	11,2# (11,2#)	5,9 (9,7#)	3,9 (7,0)	2,9 (5,0)	
- 3,0	HD-SL 2250	10,7 (12,0#)	5,4 (8,6#)	3,6 (6,4#)		
	HD-SL 2400	11,9 (12,0#)	6,0 (8,6#)	3,9 (6,4#)		
- 4,5	HD-SL 2250	8,7# (8,7#)	5,7 (6,5#)			
	HD-SL 2400	8,7# (8,7#)	6,3 (6,5#)			
- 6,0	HD-SL 2250					
	HD-SL 2400					

Stick 3,00 m

Height (m)	Under-carriage	Radius of load from centerline of machine (m)				
		3,0	4,5	6,0	7,5	9,0
9,0	HD-SL 2250					
	HD-SL 2400					
7,5	HD-SL 2250					
	HD-SL 2400					
6,0	HD-SL 2250				3,0# (3,0#)	
	HD-SL 2400				3,0# (3,0#)	
4,5	HD-SL 2250			4,9 (5,3#)	3,3 (4,7#)	
	HD-SL 2400			5,3# (5,3#)	3,6 (4,7#)	
3,0	HD-SL 2250	12,0# (12,0#)	7,1 (7,7#)	4,5 (6,0#)	3,1 (5,1#)	
	HD-SL 2400	12,0# (12,0#)	7,7# (7,7#)	4,9 (6,0#)	3,4 (5,1#)	
1,5	HD-SL 2250	7,8# (7,8#)	6,2 (9,1#)	4,1 (6,7#)	2,9 (5,3)	
	HD-SL 2400	7,8# (7,8#)	6,8 (9,1#)	4,4 (6,7#)	3,1 (5,3)	
0	HD-SL 2250	8,1# (8,1#)	5,6 (9,9#)	3,7 (7,1#)	2,7 (5,1)	
	HD-SL 2400	8,1# (8,1#)	6,2 (9,9#)	4,1 (7,1#)	2,9 (5,1)	
- 1,5	HD-SL 2250	10,3 (10,7#)	5,4 (9,8#)	3,6 (6,9)	2,6 (5,0)	
	HD-SL 2400	10,7# (10,7#)	5,9 (9,8#)	3,9 (7,0)	2,8 (5,0)	
- 3,0	HD-SL 2250	10,5 (12,6#)	5,4 (8,9#)	3,5 (6,6#)		
	HD-SL 2400	11,8 (12,6#)	5,9 (8,9#)	3,9 (6,6#)		
- 4,5	HD-SL 2250	9,6# (9,6#)	5,6 (7,0#)			
	HD-SL 2400	9,6# (9,6#)	6,2 (7,0#)			
- 6,0	HD-SL 2250					
	HD-SL 2400					

Stick 3,70 m

Height (m)	Under-carriage	Radius of load from centerline of machine (m)				
		3,0	4,5	6,0	7,5	9,0
9,0	HD-SL 2250					
	HD-SL 2400					
7,5	HD-SL 2250					
	HD-SL 2400					
6,0	HD-SL 2250				3,5# (3,5#)	
	HD-SL 2400				3,5# (3,5#)	
4,5	HD-SL 2250				3,4 (4,3#)	2,0# (2,0#)
	HD-SL 2400				3,7 (4,3#)	2,0# (2,0#)
3,0	HD-SL 2250			6,8# (6,8#)	4,7 (5,4#)	3,2 (4,7#)
	HD-SL 2400			6,8# (6,8#)	5,1 (5,4#)	3,5 (4,7#)
1,5	HD-SL 2250	12,1 (12,6#)	6,5 (8,4#)	4,2 (6,3#)	3,0 (5,1#)	2,1 (3,6#)
	HD-SL 2400	12,6# (12,6#)	7,1 (8,4#)	4,6 (6,3#)	3,2 (5,1#)	2,3 (3,6#)
0	HD-SL 2250		8,8# (8,8#)	5,8 (9,5#)	3,8 (6,9#)	2,7 (5,1)
	HD-SL 2400		8,8# (8,8#)	6,4 (9,5#)	4,2 (6,9#)	3,0 (5,1)
- 1,5	HD-SL 2250	10,0# (10,0#)	5,4 (9,8#)	3,6 (7,0)	2,6 (4,9)	
	HD-SL 2400	10,0# (10,0#)	6,0 (9,8#)	3,9 (7,0)	2,8 (5,0)	
- 3,0	HD-SL 2250	10,3 (12,5#)	5,3 (9,4#)	3,5 (6,8)	2,5 (4,9)	
	HD-SL 2400	11,6 (12,5#)	5,9 (9,4#)	3,8 (6,9)	2,8 (4,9)	
- 4,5	HD-SL 2250	10,6 (11,5#)	5,4 (8,0#)	3,6 (5,9#)		
	HD-SL 2400	11,5# (11,5#)	6,0 (8,0#)	3,9 (5,9#)		
- 6,0	HD-SL 2250	7,3# (7,3#)	5,2# (5,2#)			
	HD-SL 2400	7,3# (7,3#)	5,2# (5,2#)			

The lift capacities on the load hook of the Liebherr quick change adapter 48 without attachment are stated in metric tonnes (t), and can be lifted 360° on firm, level supporting surface. Values quoted in brackets are valid for the undercarriage when in longitudinal position. Capacities are valid for 600 mm wide triple grouser pads. Indicated loads are based on ISO 10567 standard and do not exceed 75 % of tipping or 87 % of hydraulic capacity (indicated via #). Maximum load for the quick change adapter's load hook is 12 t. Without quick change adapter the lift capacities will increase by 245 kg, without bucket cylinder, link and lever they increase by an additional 340 kg. Lifting capacity of the excavator is limited by machine stability, hydraulic capacity and maximum permissible load of the load hook.

According to European Standard, EN 474-5: In the European Union excavators have to be equipped with an overload warning device, a load diagram and automatic check valves on the hoist cylinders, when they are used for lifting operations which require the use of lifting accessories.

Lift Capacities

with Adjustable Offset Boom 5,70 m and Heavy Counterweight

Stick 2,40 m

Height (m)	Under-carriage	Radius of load from centerline of machine (m)				
		3,0	4,5	6,0	7,5	9,0
9,0	HD-SL 2250 HD-SL 2400					
7,5	HD-SL 2250 HD-SL 2400					
6,0	HD-SL 2250 HD-SL 2400			5,3# (5,3#) 5,3# (5,3#)		
4,5	HD-SL 2250 HD-SL 2400		6,9# (6,9#) 6,9# (6,9#)	5,4 (5,7#) 5,7# (5,7#)	3,7 (4,3#) 4,0 (4,3#)	
3,0	HD-SL 2250 HD-SL 2400	10,3# (10,3#) 10,3# (10,3#)	7,7 (8,4#) 8,3 (8,4#)	5,0 (6,4#) 5,4 (6,4#)	3,5 (5,4#) 3,8 (5,4#)	
1,5	HD-SL 2250 HD-SL 2400		6,9 (9,6#) 7,5 (9,6#)	4,6 (7,0#) 5,0 (7,0#)	3,3 (5,6#) 3,6 (5,6#)	
0	HD-SL 2250 HD-SL 2400	7,8# (7,8#) 7,8# (7,8#)	6,5 (10,0#) 7,1 (10,0#)	4,4 (7,3#) 4,7 (7,3#)	3,2 (5,7) 3,5 (5,7#)	
-1,5	HD-SL 2250 HD-SL 2400	11,8# (11,8#) 11,8# (11,8#)	6,4 (9,6#) 6,9 (9,6#)	4,2 (7,1#) 4,6 (7,1#)		
-3,0	HD-SL 2250 HD-SL 2400	11,3# (11,3#) 11,3# (11,3#)	6,5 (8,4#) 7,1 (8,4#)	4,3 (6,2#) 4,7 (6,2#)		
-4,5	HD-SL 2250 HD-SL 2400	7,7# (7,7#) 7,7# (7,7#)	5,9# (5,9#) 5,9# (5,9#)			
-6,0	HD-SL 2250 HD-SL 2400					

Stick 2,70 m

Height (m)	Under-carriage	Radius of load from centerline of machine (m)				
		3,0	4,5	6,0	7,5	9,0
9,0	HD-SL 2250 HD-SL 2400					
7,5	HD-SL 2250 HD-SL 2400			3,6# (3,6#) 3,6# (3,6#)		
6,0	HD-SL 2250 HD-SL 2400			5,1# (5,1#) 5,1# (5,1#)		
4,5	HD-SL 2250 HD-SL 2400			5,5# (5,5#) 5,5# (5,5#)	3,8 (4,7#) 4,0 (4,7#)	
3,0	HD-SL 2250 HD-SL 2400	12,9# (12,9#) 12,9# (12,9#)	7,9 (8,0#) 8,0# (8,0#)	5,1 (6,2#) 5,5 (6,2#)	3,6 (5,2#) 3,8 (5,2#)	
1,5	HD-SL 2250 HD-SL 2400		6,3# (6,3#) 6,3# (6,3#)	7,0 (9,4#) 7,6 (9,4#)	4,7 (6,8#) 5,0 (6,8#)	3,3 (5,5#) 3,6 (5,5#)
0	HD-SL 2250 HD-SL 2400		7,9# (7,9#) 7,9# (7,9#)	6,5 (9,9#) 7,1 (9,9#)	4,4 (7,2#) 4,7 (7,2#)	3,2 (5,7#) 3,4 (5,7#)
-1,5	HD-SL 2250 HD-SL 2400	11,2# (11,2#) 11,2# (11,2#)	6,3 (9,7#) 6,9 (9,7#)	4,2 (7,1#) 4,6 (7,1#)	3,1 (5,5#) 3,4 (5,5#)	
-3,0	HD-SL 2250 HD-SL 2400	12,0# (12,0#) 12,0# (12,0#)	6,4 (8,6#) 7,0 (8,6#)	4,2 (6,4#) 4,6 (6,4#)		
-4,5	HD-SL 2250 HD-SL 2400	8,7# (8,7#) 8,7# (8,7#)	6,5# (6,5#) 6,5# (6,5#)			
-6,0	HD-SL 2250 HD-SL 2400					

Stick 3,00 m

Height (m)	Under-carriage	Radius of load from centerline of machine (m)				
		3,0	4,5	6,0	7,5	9,0
9,0	HD-SL 2250 HD-SL 2400					
7,5	HD-SL 2250 HD-SL 2400					
6,0	HD-SL 2250 HD-SL 2400				3,0# (3,0#) 3,0# (3,0#)	
4,5	HD-SL 2250 HD-SL 2400			5,3# (5,3#) 5,3# (5,3#)	3,8 (4,7#) 4,1 (4,7#)	
3,0	HD-SL 2250 HD-SL 2400	12,0# (12,0#) 12,0# (12,0#)	7,7# (7,7#) 7,7# (7,7#)	5,2 (6,0#) 5,5 (6,0#)	3,6 (5,1#) 3,9 (5,1#)	
1,5	HD-SL 2250 HD-SL 2400		7,8# (7,8#) 7,8# (7,8#)	4,7 (6,7#) 5,1 (6,7#)	3,4 (5,4#) 3,6 (5,4#)	
0	HD-SL 2250 HD-SL 2400	8,1# (8,1#) 8,1# (8,1#)	6,5 (9,9#) 7,1 (9,9#)	4,4 (7,1#) 4,8 (7,1#)	3,2 (5,6#) 3,4 (5,6#)	
-1,5	HD-SL 2250 HD-SL 2400	10,7# (10,7#) 10,7# (10,7#)	6,3 (9,8#) 6,9 (9,8#)	4,2 (7,2#) 4,6 (7,2#)	3,1 (5,5#) 3,3 (5,5#)	
-3,0	HD-SL 2250 HD-SL 2400	12,2 (12,6#) 12,6# (12,6#)	6,3 (8,9#) 6,9 (8,9#)	4,2 (6,6#) 4,6 (6,6#)		
-4,5	HD-SL 2250 HD-SL 2400	9,6# (9,6#) 9,6# (9,6#)	6,6 (7,0#) 7,0# (7,0#)			
-6,0	HD-SL 2250 HD-SL 2400					

Stick 3,70 m

Height (m)	Under-carriage	Radius of load from centerline of machine (m)				
		3,0	4,5	6,0	7,5	9,0
9,0	HD-SL 2250 HD-SL 2400					
7,5	HD-SL 2250 HD-SL 2400					
6,0	HD-SL 2250 HD-SL 2400				3,5# (3,5#) 3,5# (3,5#)	
4,5	HD-SL 2250 HD-SL 2400				3,9 (4,3#) 4,2 (4,3#)	2,0# (2,0#) 2,0# (2,0#)
3,0	HD-SL 2250 HD-SL 2400		6,8# (6,8#) 6,8# (6,8#)	5,4 (5,4#) 5,4# (5,4#)	3,7 (4,7#) 4,0 (4,7#)	2,7 (3,0#) 2,9 (3,0#)
1,5	HD-SL 2250 HD-SL 2400	12,6# (12,6#) 12,6# (12,6#)	7,5 (8,4#) 8,1 (8,4#)	4,9 (6,3#) 5,3 (6,3#)	3,4 (5,1#) 3,7 (5,1#)	2,5 (3,6#) 2,7 (3,6#)
0	HD-SL 2250 HD-SL 2400		8,8# (8,8#) 8,8# (8,8#)	6,7 (9,5#) 7,3 (9,5#)	4,5 (6,9#) 4,8 (6,9#)	3,2 (5,4#) 3,5 (5,4#)
-1,5	HD-SL 2250 HD-SL 2400	10,0# (10,0#) 10,0# (10,0#)	6,3 (9,8#) 6,9 (9,8#)	4,2 (7,1#) 4,6 (7,1#)	3,1 (5,5#) 3,3 (5,5#)	2,4 (3,4#) 2,6 (3,4#)
-3,0	HD-SL 2250 HD-SL 2400	12,0 (12,5#) 12,5# (12,5#)	6,2 (9,4#) 6,8 (9,4#)	4,1 (6,9#) 4,5 (6,9#)	3,0 (5,2#) 3,3 (5,2#)	
-4,5	HD-SL 2250 HD-SL 2400	11,5# (11,5#) 11,5# (11,5#)	6,4 (8,0#) 7,0 (8,0#)	4,2 (5,9#) 4,6 (5,9#)		
-6,0	HD-SL 2250 HD-SL 2400	7,3# (7,3#) 7,3# (7,3#)	5,2# (5,2#) 5,2# (5,2#)			

The lift capacities on the load hook of the Liebherr quick change adapter 48 without attachment are stated in metric tonnes (t), and can be lifted 360° on firm, level supporting surface. Values quoted in brackets are valid for the undercarriage when in longitudinal position. Capacities are valid for 600 mm wide triple grouser pads. Indicated loads are based on ISO 10567 standard and do not exceed 75 % of tipping or 87 % of hydraulic capacity (indicated via #). Maximum load for the quick change adapter's load hook is 12 t. Without quick change adapter the lift capacities will increase by 245 kg, without bucket cylinder, link and lever they increase by an additional 340 kg. Lifting capacity of the excavator is limited by machine stability, hydraulic capacity and maximum permissible load of the load hook.

According to European Standard, EN 474-5: In the European Union excavators have to be equipped with an overload warning device, a load diagram and automatic check valves on the hoist cylinders, when they are used for lifting operations which require the use of lifting accessories.

Equipment



Undercarriage

S O

Two-stage travel motors	•	
Idler protection	•	
Lifetime lubricated track rollers	•	
Track guide at each track frame for HD-SL-undercarriage, three for HD-S-undercarriage	•	
Tracks sealed and greased	•	
Track guides in three parts		•
Conversion kit – track B 60 to D 6 C		•
Sprocket with dirt ejector		•
Reinforced base-plate center-piece		•
Customized colors		•



Uppercarriage

S O

Engine hood with lift help	•	
Lockable tool box	•	
Handrails, non slip surfaces	•	
Tool kit	•	
Maintenance free swing brake lock	•	
Maintenance-free HD-batteries	•	
Sound insulation	•	
Electric fuel tank filler pump		•
Foot pedal swing positioning brake		•
Extended tool kit		•
Video supervision		•
Heavy counterweight		•
Customized colors		•



Hydraulics

S O

Electronic pump regulation	•	
Stepless work mode selector	•	
Pressure storage for controlled lowering of attachments with engine turned off	•	
Hydraulic tank shut-off valve	•	
LSC control system (Liebherr-Synchron-Comfort)	•	
Filter with integrated fine filter area (5 µm)	•	
Pressure test ports	•	
Additional hydraulic circuits		•
Bio-degradable hydr. oil		•
Filter for secondary circuit		•
Liebherr Tool Control		•



Engine

S O

Unit pump system	•	
Turbo charger	•	
After-cooled	•	
Dry-type air cleaner w/pre-cleaner, main and safety element	•	
Sensor controlled engine idling	•	
Fuel pre-heating		•



Operator's Cab

S O

Load bearing sectional profile structure, covered with deep-drawn panels	•	
Roof right window and windshield armored	•	
All tinted windows	•	
Right window made of one piece (without post)	•	
Door with sliding window	•	
Two flood lights under rain hood	•	
Rain hood over front window opening	•	
Wiper/washer	•	
Emergency exit rear window	•	
Sun roller blind	•	
Seat and consoles independently adjustable (6-way adjustable seat)	•	
Storage tray	•	
Closed storage space	•	
Cloth hook	•	
Removable customized foot mat	•	
Dome light	•	
Inside rear mirror	•	
Cigarette lighter and ashtray	•	
Seat belt	•	
Mechanical hour meters, readable from outside the cab	•	
Displays for engine operating condition	•	
Automatic air conditioning with defroster	•	
Preparation for radio installation	•	
Stereo radio		•
Electric cool box		•
Sun visor		•
Auxiliary heating		•
Two additional flood lights		•
Wiper for lower window		•
Bullet proof glass in roof with windshield wipe		•
Cab w/bullet proof glass		•
Protective grip up FOPS		•
Protective grip front FGPS		•
Air pressure operator seat		•
Electronic drive away lock		•
Beacon		•
Extinguisher		•



Attachment

S O

Semi-automatic central lubrication system (except link and tilt geometry)	•	
Cylinders with shock absorbers	•	
SAE split flanges on all high pressure lines	•	
Work light on boom	•	
Sealed pivots/Y sealant between bucket and stick	•	
12 t lifting hook with safety link on bucket or on quick-coupler	•	
Automatic central lubrication system (except link and tilt geometry)		•
Central lubrication for lever with protection cover		•
Safety check valves for hoist cylinder		•
Safety check valves for stick cylinder		•
Stick sealed (between bucket and stick)		•
Overload warning device		•
Hydr. or mechanical quick change coupler		•
Likufix		•
Piston rod protection		•
Hydraulic lines for additional tools		•
Quick disconnect hose couplers for additional tools		•
Special application buckets		•
Customized colors		•

S = Standard, O = Option

Options and/or special attachments, supplied by vendors other than Liebherr, are only to be installed with the knowledge and approval of Liebherr to retain warranty.

Liebherr-France SAS

2, avenue Joseph Rey, B.P. 90287, F-68005 Colmar Cedex

+33 389 21 30 30, Fax +33 389 21 37 93

www.liebherr.com, E-Mail: info.lfr@liebherr.com