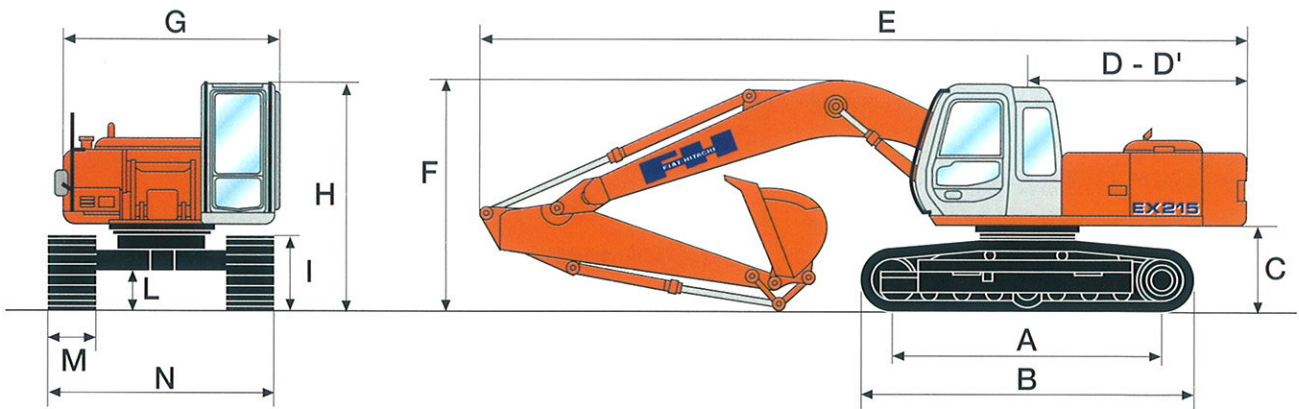


One-piece boom

Dimensions - Operating weight



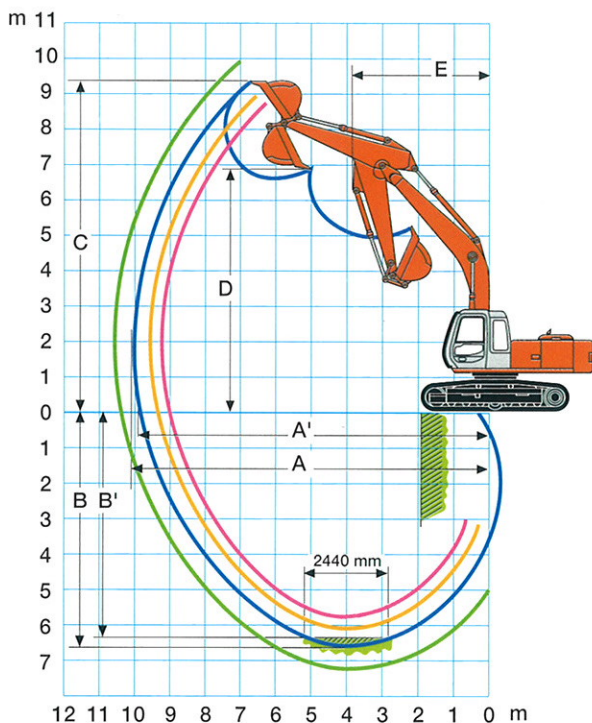
Version		A	B	C	D	D'(1)	E	F	G	H	I	L
EX215E	mm	3371	4171	1030	2720	2750	9500	2970	2455	2870	915	450
EX215	mm	3371	4171	1030	2720	2750	9500	2970	2455	2870	915	450
EX215LC	mm	3658	4458	1030	2720	2750	9500	2970	2455	2870	915	450

		EX215E		EX215				EX215LC			
M - Shoe width	mm	500	600	600	700	800	900	600	700	800	900
N - Overall width	mm	2480	2580	2800	2900	3000	3100	2990	3090	3190	3290
Operating weight	kg	19235	19485	19640	19890	20140	20390	20000	20270	20540	20810
Ground pressure	bar	0.51	0.49	0.44	0.39	0.33	0.30	0.42	0.37	0.31	0.28

(1) Rear swing radius

Digging data

5680 mm one piece boom



Dipperstick	mm	2000	2400	2910	3500
A	mm	9280	9480	9910	10460
A'	mm	9110	9300	9750	10300
B	mm	5700	6080	6670	7160
B'	mm	5480	5880	6490	7000
C	mm	9380	9280	9600	9780
D	mm	6640	6460	6780	6920
E	mm	3600	3600	3540	3560
Breakout force:					
bucket	kg	12000	12000	12000	12000
dipperstick	kg	12500	11500	9500	7900
With Power Boost:					
bucket	kg	13000	13000	13000	13000
dipperstick	kg	13400	12400	10200	8500