

THE ESSENCE OF SANY PRODUCT
LIES IN ITS HIGH RELIABILITY



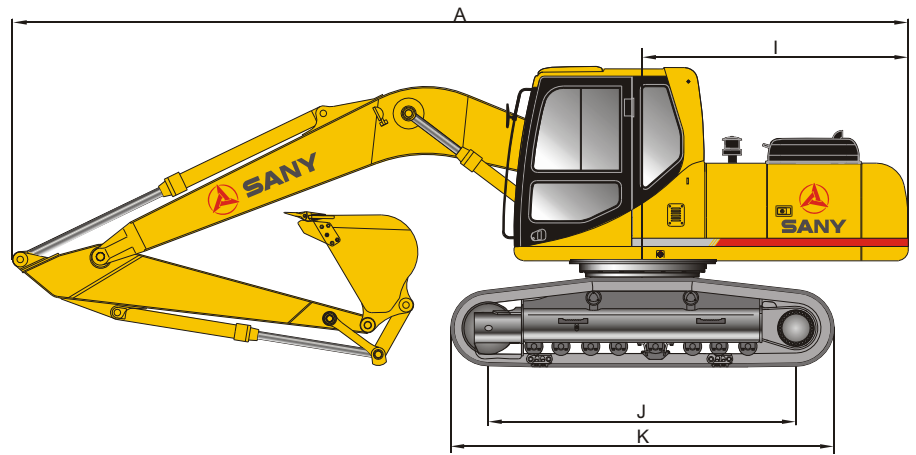
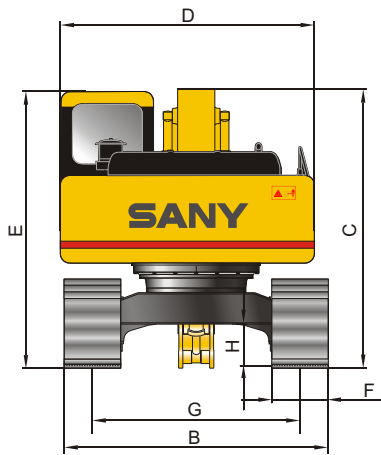
New Generation Hydraulic Excavators SY210C Series

- Up to EuroIII emission standard, more powerful drive and lower oil consumption;
- Advanced electric dual proportional flow hydraulic control system, more comfortable operation and more efficient working;
- New high performance engine, larger power and lower noise;
- Humanized design, perfect after-sale service system and lower maintenance cost.



SANY

Quality changes the world

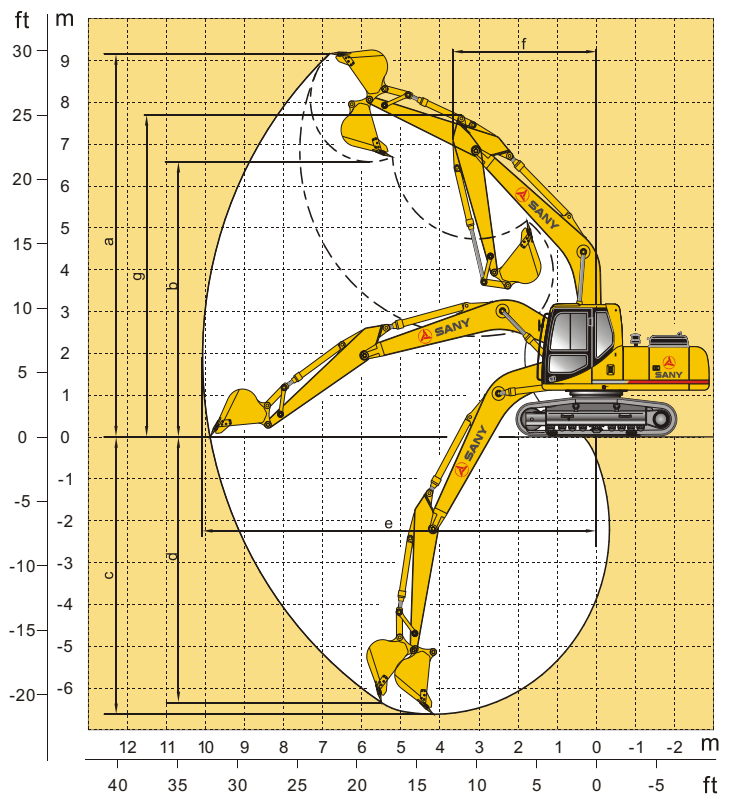


Overall dimension

Name	SY210C
A Shipping length	9397mm/30'10"
B Transport width	2800mm/9'2.2"
C Shipping height	2956mm/9'8.4"
D Upperstructure width	2710mm/8'10.7"
E Cab height	2930mm/9'7.5"
F Std.Track shoe width	600mm/1'11.6"
G Track gauge	2380mm/7'9.7"
H Min.ground clearance	440mm/1'5.3"
I Tail swing radius	2750mm/9'0.3"
J Length to centers of rollers	3445mm/11'3.6"
K Track length	4250mm/13'11"

Operation range

Name	SY210C
a Max.digging height	9305mm/30'6.3"
b Max.loading height	6475mm/21'3"
C Max.digging depth	6630mm/21'9"
D Max.vertical wall digging depth	5980mm/19'7.4"
E Max.digging reach	9885mm/32'5.2"
F Min.swing radius	3630mm/11'11"
G Max.height at min.swing radius	7570mm/24'10"



Technical parameters

Name	SY210C
Operating weight	20900kg/45415lb
Std.bucket capacity	0.93m ³ /1.22yd ³
Rated power	116/2000kw/rpm/155.5/2000 hp/rpm
Travel speed(low/high)	5.5/3.2km/h/3.42/2mph
Swing speed	12.5rpm
Gradeability	70%/35°
Ground press(600mm track)	45kPa/6.497 psi
Bucket digging ability	138kN/31045lb
Max.flow of main pump	2×210L/min/2×55.5gal/min
Relief valve pressure	31.4/34.3MPa/4553/4974psi
Travel hydraulic circuit	34.3MPa/4974psi
Swing hydraulic circuit	26.5MPa/3843psi
Pilot hydraulic circuit	3.9MPa/565.6psi



Sany Industry Town, Economical and Technological Development Zone, Kunshan, Jiangsu, China

Zip Code: 215300

Tel: 0512-57831805

Fax: 0512-57831869

After-sales Service Hotline: 4008 28 2318

Consultation/Complaints Hotline: 4008 28 2333

Web: <http://www.sany.com.cn>



XSY210C0601-CH(07-08)

Printed in CHINA

Materials and specifications are subject to change without further notice in accordance with our continuous technical innovations. Photos and illustrations may or may not include additional equipments.