

THE ESSENCE OF SANY PRODUCT
LIES IN ITS HIGH RELIABILITY

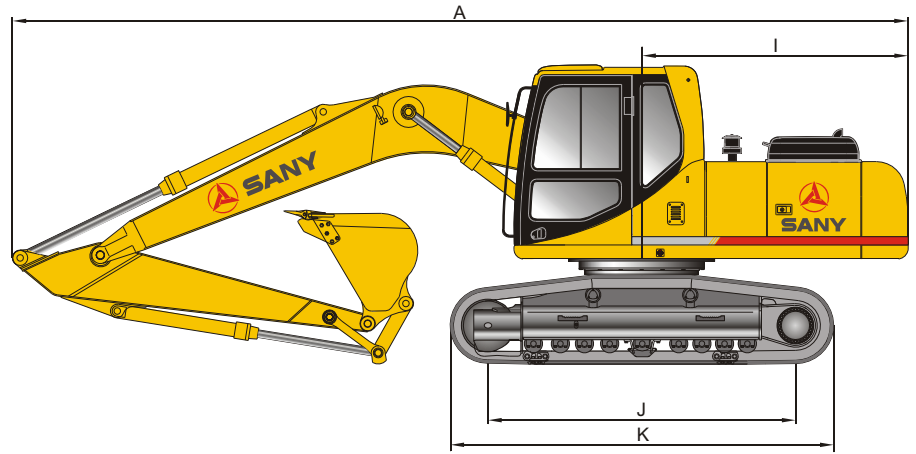
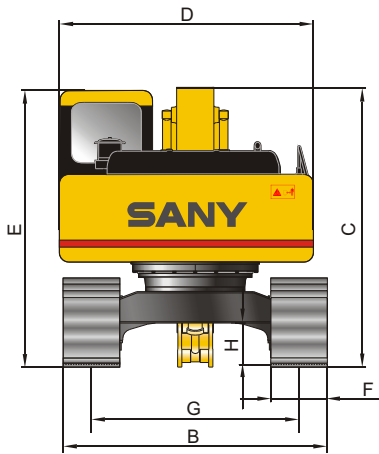


New Generation Hydraulic Excavators SY230C Series



Quality changes the world

- Up to Euro III emission standard, more powerful drive and lower oil consumption;
- Advanced electric dual proportional flow hydraulic control system, more comfortable operation and more efficient working;
- New high performance engine, larger power and lower noise;
- Humanized design, perfect after-sale service system and lower maintenance cost.

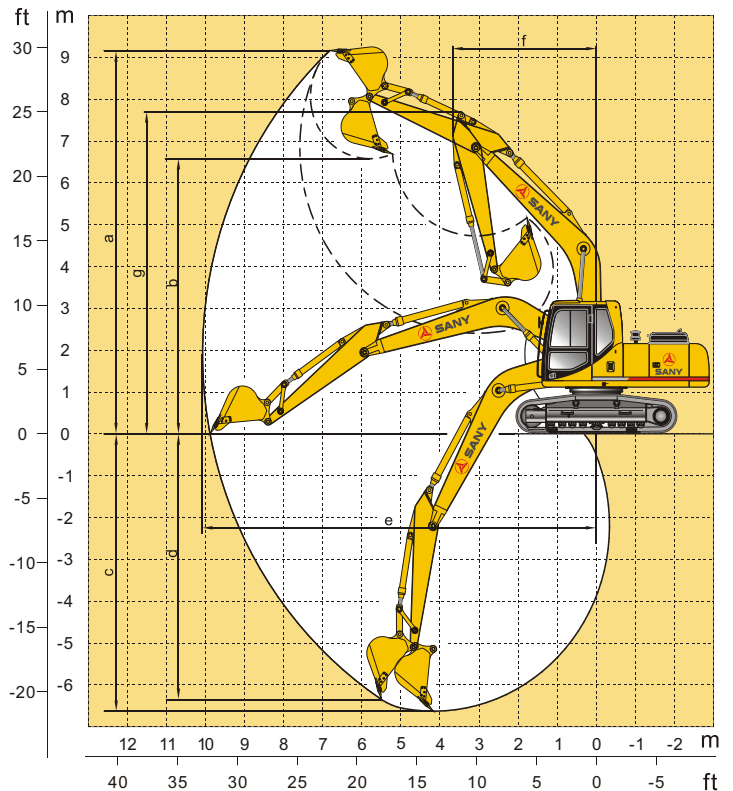


Overall dimension

Name	SY230C
A Shipping length	9780mm/32'1"
B Transport width	2980mm/9'9.3"
C Shipping height	3160mm/10'4.4"
D Upperstructure width	2710mm/8'10.7"
E Cab height	2930mm/9'7.5"
F Std. Track shoe width	600mm/1'11.6"
G Track gauge	2380mm/7'9.7"
H Min. ground clearance	440mm/1'5.3"
I Tail swing radius	2860mm/9'4.6"
J Length to centers of rollers	3640mm/11'11"
K Track length	4445mm/14'7"

Operation range

Name	SY230C
a Max. digging height	9380mm/30'9.3"
b Max. loading height	6515mm/21'4.4"
C Max. digging depth	6920mm/22'8.4"
D Max. vertical wall digging depth	6010mm/19'8.6"
E Max. digging reach	10180mm/33'4.8"
F Min. swing radius	3860mm/12'8"
G Max. height at min. swing radius	7760mm/25'5.5"



Technical parameters

Name	SY230C
Operating weight	22900kg/50706lb
Std. bucket capacity	1.0m ³ /1.31yd ³
Rated power	142/2200kw/rpm/190.4/2200hp/rpm
Travel speed (low/high)	5.5/3.2km/h/3.42/2mph
Swing speed	12.5rpm
Gradeability	70%/35°
Ground press (600mm track)	47.6kPa/6.903psi
Bucket digging ability	159kN/35768lb
Max. flow of main pump	2×228L/min/2×60.2gal/min
Relief valve pressure	31.4/34.3MPa/4553/4974psi
Travel hydraulic circuit	34.3MPa/4974psi
Swing hydraulic circuit	25.5MPa/3698psi
Pilot hydraulic circuit	3.9MPa/565.6psi



Sany Industry Town, Economical and Technological Development Zone, Kunshan, Jiangsu, China

Zip Code: 215300

Tel: 0512-57831805

Fax: 0512-57831869

After-sales Service Hotline: 4008 28 2318

Consultation/Complaints Hotline: 4008 28 2333

Web: <http://www.sany.com.cn>



XS230C0601-CH(07-08)

Printed in CHINA

Materials and specifications are subject to change without further notice in accordance with our continuous technical innovations. Photos and illustrations may or may not include additional equipments.