

THE ESSENCE OF SANY PRODUCT
LIES IN ITS HIGH RELIABILITY



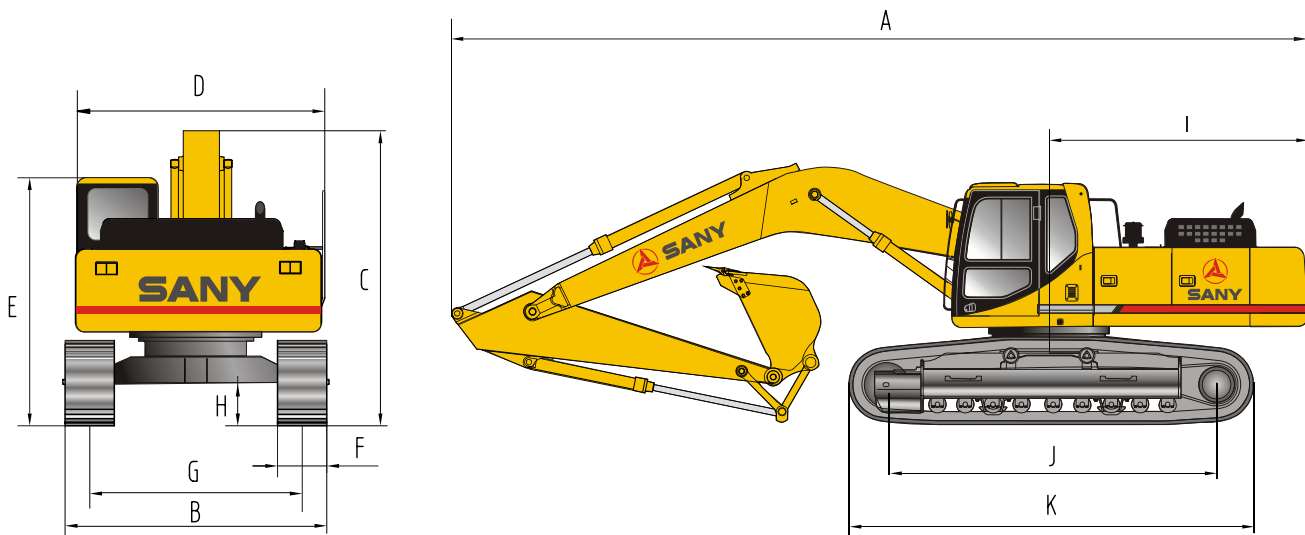
New Generation Hydraulic Excavators SY310C Series



SANY

Quality changes the world

- Up to Euro III emission standard, more powerful drive and lower oil consumption;
- New Cummins engine, with lower malfunction ratio and better roughness-wearing;
- Perfect mining area working ability, lower cost and higher return on investment;
- Advanced industrial control system, simpler operation and higher efficiency;
- Original malfunction diagnosis system, extended overhaul period and lower maintenance cost.

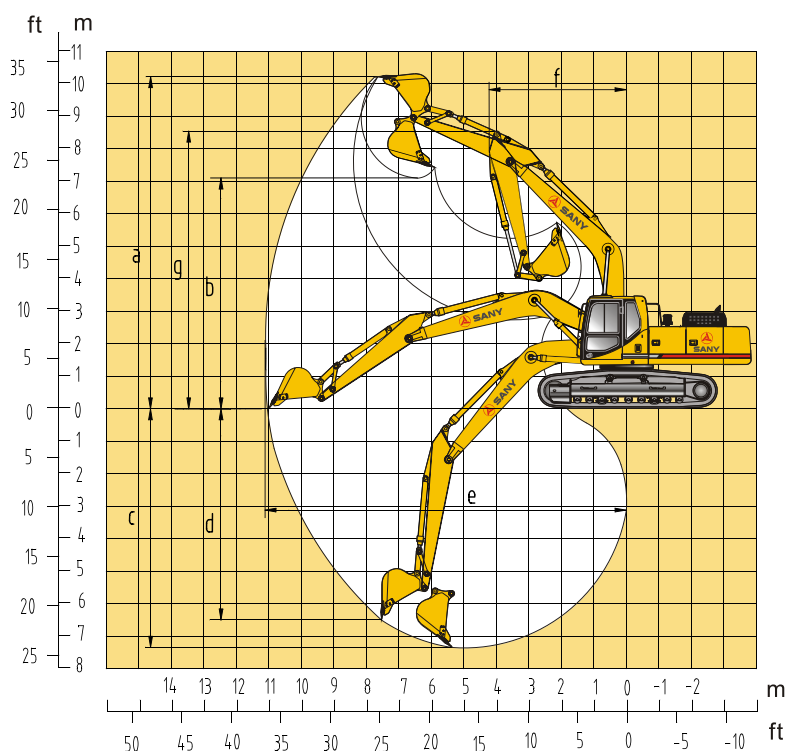


Overall dimension

Name	SY310C
A Shipping length	10935mm/35'10"
B Transport width	3190mm/10'6"
C Shipping height	3255mm/10'9"
D Upperstructure width	3015mm/9'10"
E Cab height	3096mm/10'2"
F Std. Track shoe width	600mm/1'11.6"
G Track gauge	2590mm/8'6"
H Min. ground clearance	500mm/1'8"
I Tail swing radius	3300mm/10'10"
J Length to centers of rollers	4140mm/13'7"
K Track length	5065mm/16'8"

Operation range

Name	SY310C
a Max. digging height	10210mm/33'6"
b Max. loading height	7110mm/23'4"
C Max. digging depth	7380mm/24'2"
D Max. vertical wall digging depth	6480mm/21'3"
E Max. digging reach	11100mm/36'5"
F Min. swing radius	4310mm/14'2"
G Max. height at min. swing radius	8440mm/27'8"



Technical parameters

Name	SY310C
Operating weight	31600kg/69665lb
Std. bucket capacity	1.5m ³ /1.96yd ³
Rated power	194/2000kw/rpm/260/2000 hp/rpm
Travel speed (low/high)	5.0/3.2km/h/4.6/2.9mph
Swing speed	10.9rpm
Gradeability	70%/35°
Ground press (600mm track)	59.2 kPa/8.584 psi
Bucket digging ability	210kN/47208lb
Max. flow of main pump	2×265L/min/2×70gal/min
Relief valve pressure	31.5/34.3MPa/4568/4947psi
Travel hydraulic circuit	34.3MPa/4974psi
Swing hydraulic circuit	27.5MPa/3988psi
Pilot hydraulic circuit	3.9MPa/565.6psi



Sany Industry Town, Economical and Technological Development Zone, Kunshan, Jiangsu, China

Zip Code: 215300

Tel: 0512-57831805

Fax: 0512-57831869

After-sales Service Hotline: 4008 28 2318

Consultation/Complaints Hotline: 4008 28 2333

Web: <http://www.sany.com.cn>



XSY310C0601-CH(07-08)

Printed in CHINA

Materials and specifications are subject to change without further notice in accordance with our continuous technical innovations. Photos and illustrations may or may not include additional equipments.