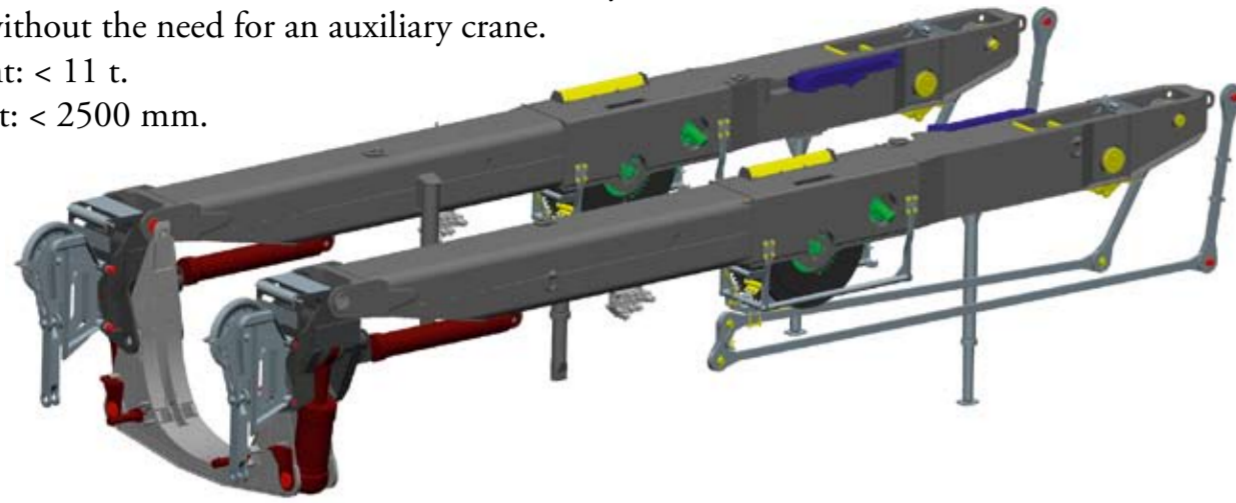




## Mega Wing Lift

The new patented self rigging Mega Wing Lift reduces transportation and erection costs to a minimum. Both this and the auxiliary hoist can be installed without the need for an auxiliary crane.

- Transport weight: < 11 t.
- Transport height: < 2500 mm.



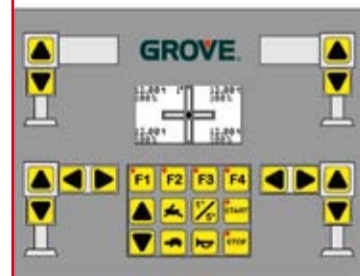
## Drivers cabin

New, wider carrier cabin that includes the following advantages for you:

- More driving comfort and better ergonomic instrumentation.
- Improved heating- and cooling system with air conditioning as standard.
- Full width cab for improved visibility.
- Better aerodynamics.
- Noise reduction.
- Rust free glass-fibre and aluminum composite.



## Man-Machine-Interface



The new MMI display allows the control of the MEGATRAK™ or suspension from both sides of the carrier. Adjustment of ground clearance independently of the outriggers. Flexibility on jobsite to react to varied site conditions.

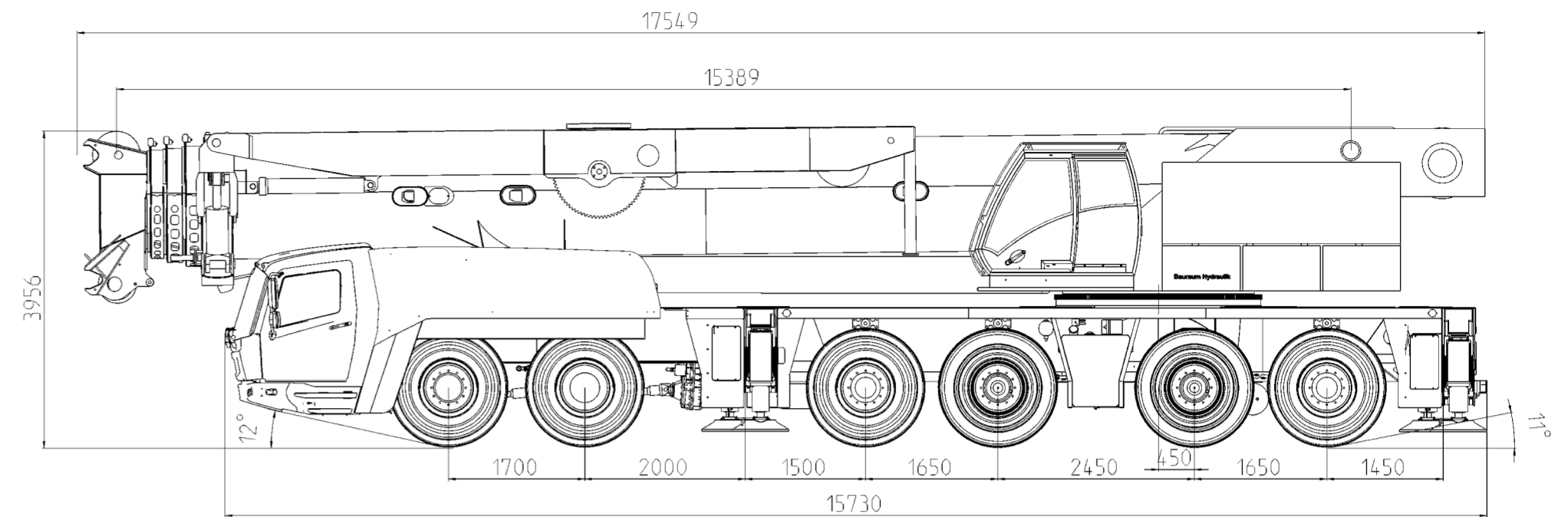
## Engine

Latest engine technology including Tier 4i, stage Euromot IIIb Water-cooled Mercedes-Benz diesel engine:

- Turbocharged with intercooler.
- High pressure fuel-injection system with unit injection pumps controlled by solenoid valves.
- Electronic engine management.
- OM 502 LA with 8 cylinder and 405kW.
- Selective Catalytic Reduction (AdBlue)– reduces the NOx by 80%.



## Dimensions

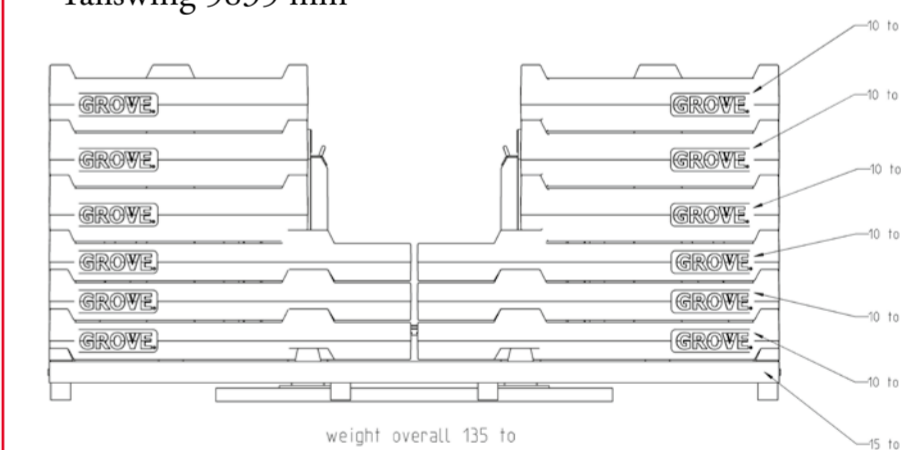


**CraneSTAR**  
EQUIPPED

- CraneStar: An asset management tool with many new customer benefits!
- Remotely monitors key crane functions and diagnostics.
  - Provides timely data to help make fact-based decisions regarding crane productivity and utilization.
  - Helps monitor intervals for scheduling routine maintenance.
  - Increases security, which may lead to reduced insurance costs.
  - Provides machine operation history to help maximize resale value.
  - Monitor jobsite locations and working conditions from your home office.
  - Easy data retrieval and customized reporting.

## Counterweight

- 135 t of total counterweight
- 15 t base plate
- 6 x 10 t slabs
- 6 x 10 t slabs (as GMK7450)
- Tailswing 5835 mm

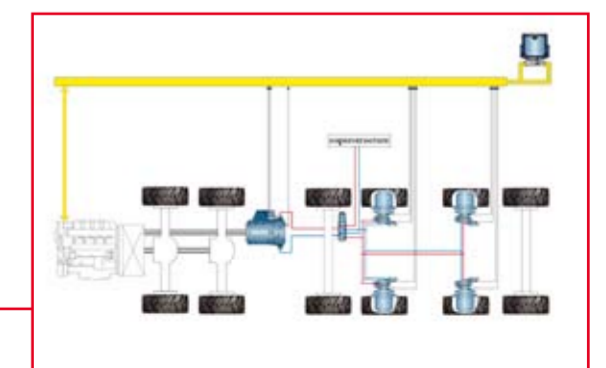


## MegaDrive™

A mixture of conventional drive at the front and hybrid drive for slow speed.

That creates the following advantages for you:

- Automatic on/off of MegaDrive: over 25km/h off, less than 20 km/h on.
- Better traction in bad surface conditions.
- Longer lifecycle of parts because of less direct contact.
- Smooth acceleration from standstill.



# Grove GMK6400