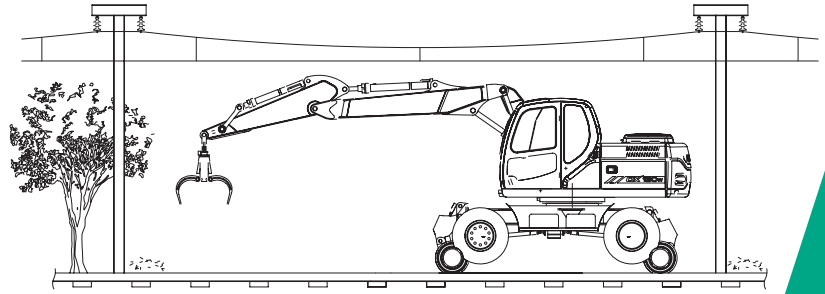


# DX160w RAILWAY

Engine power: 99 kW / 132 Hp at 2.000 rpm  
Operational weight: 16.500 kg

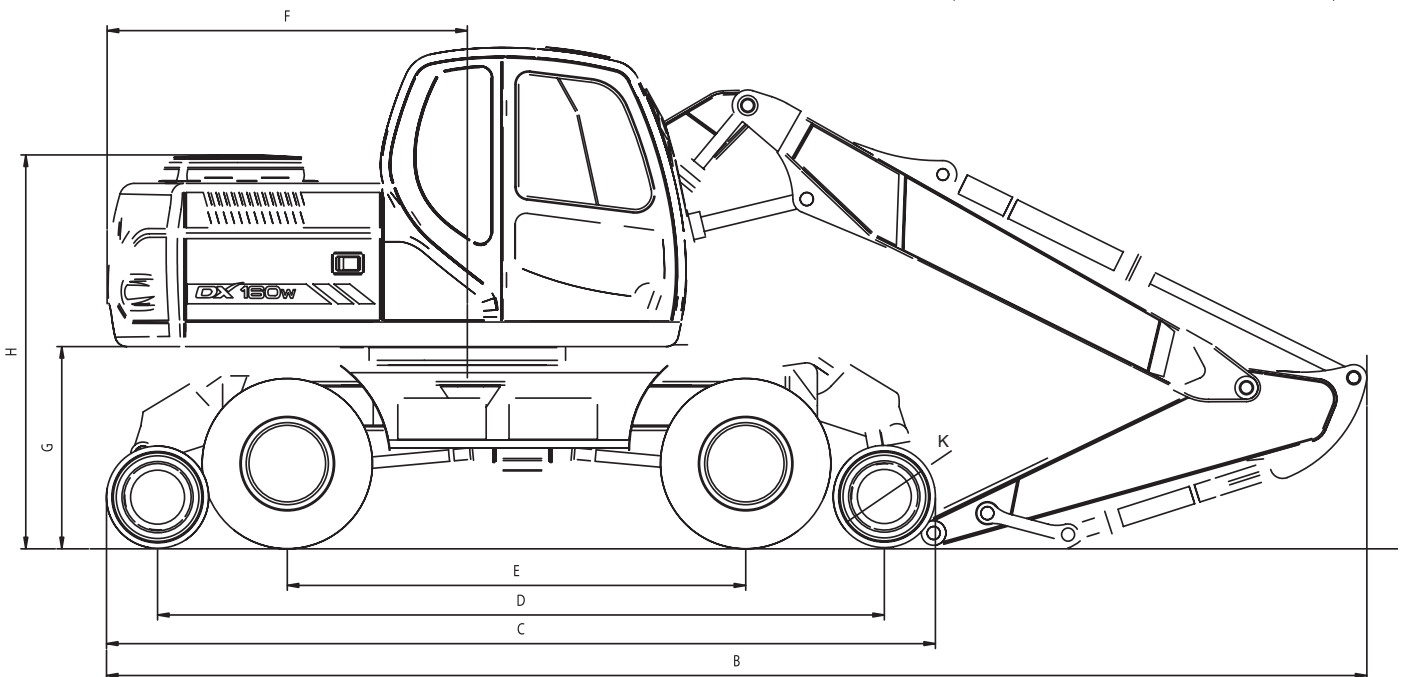
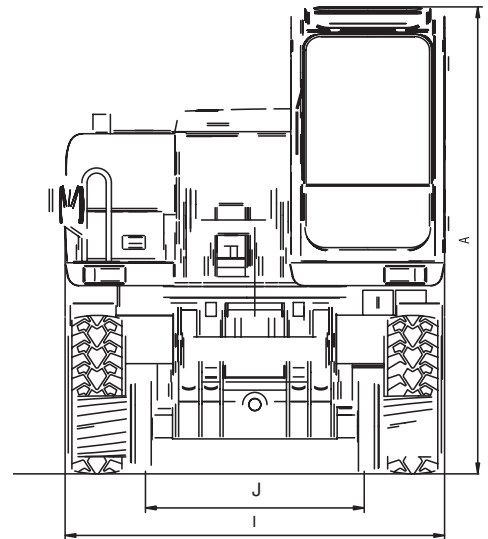


Standard configuration: arti boom, 2,1 arm

## Dimensions

### \* Dimensions

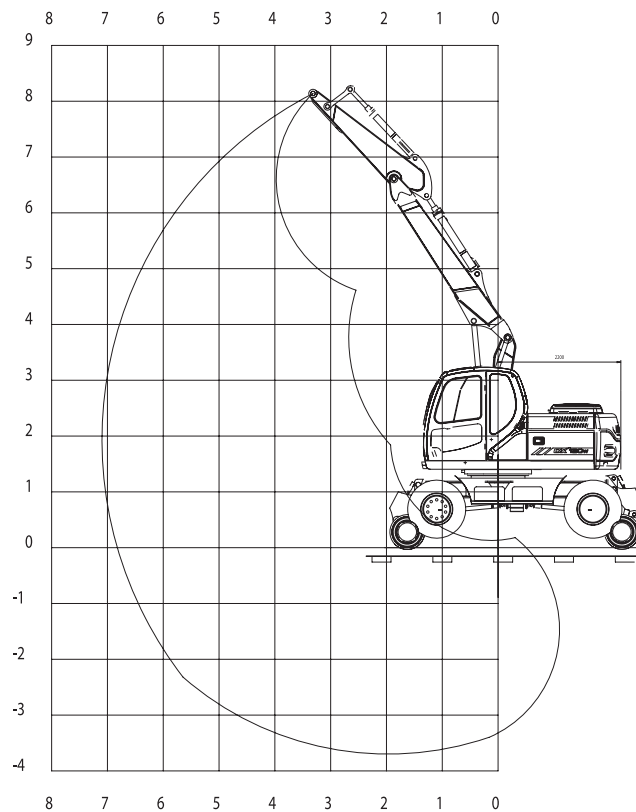
A	Overall Transport Height	mm	3.065
B	Overall Length	mm	7.700
C	Overall Length (without Front)	mm	5.065
D	Length between rail road axle	mm	4.440
E	Length between wheels axle	mm	2.800
F	Tail Swing Radius	mm	2.200
G	Clearance under counterweight	mm	1.235
H	Overall height of engine bonnet	mm	2.405
I	Overall tire width with fender	mm	2.490
J	Length inside rail dimension	mm	1.435
K	Rail road axle diameter	mm	560UIC



# Specifications

## \* Specifications

Operating Weight (without Tool)	kg	18.200
Max. Reach at Ground Level (Pin Arm)	mm	6.280
Max. Height (Pin Arm)	mm	8.140



### DOOSAN Infracore Europe S.A.

1<sup>à</sup>, rue Achille Degrâce  
7080 Frameries, Belgium  
Tel : +32-65-61 32 30 • Fax : +32-65-67 73 38

### DOOSAN Infracore France

ZAC de la Clef Saint Pierre - Buroplus 2  
1<sup>à</sup>, avenue Jean d'Alembert  
78990 Elancourt, France  
Tel : +33-1-30 16 21 41 • Fax : +33-1-30 16 21 44

### DOOSAN Infracore U.K., Ltd.

Doosan House, Unit 6, 3 Heol-Y-Gamlas, Parc Nantgarw,  
Nantgarw, Cardiff CF15 7QU, U.K.  
Tel : +44-1443-84-2273 • Fax : +44-1443-84-1933

### DOOSAN Infracore Europe S.A. Germany

Heinrich-von-Stephan-Str. 2  
D-40764, Langenfeld, Germany  
Tel : +49-2173-2035212 • Fax : +49-2173-2035219

### Head Office

Doosan Tower 26<sup>th</sup> FL. 18-12, Euljiro-6Ga,  
Jung-Gu, Seoul, Korea 100-730  
Tel : +82-2-3389-8114 • Fax : +82-2-3389-8117

[www.doosaneurope.com](http://www.doosaneurope.com)



Doosan Infracore

The illustrations do not necessary show the product in standard version.  
All products and equipments are not available in all markets.  
Materials and specifications are subjects to change without prior notice.  
28-11\_DX160w Railway\_UK\_12/06 • Design by SizeCommunication.com