

# Grove RT9130E

## Product Guide



120 t



48,8 m



11,0 - 18,0 m



85,0 m



**Rough Terrain Crane • Geländekran  
Grue Tout-Terrain • Grúa Todo Terreno  
Autogru Fuoristrada • Grua RT**

**Кран для использования на пересеченной местности**

# Features • Besonderheiten • Caractéristiques • Carasterísticas Caratteristiche • Carasterísticas • Особенности



- Cab : The "E" Series cab on the RT9130E tilts up to 20° providing the operator additional comfort when working at long boom and extension lengths.
- Kabine : Die Kabine der „E“-Serie am RT9130E lässt sich um bis zu 20° neigen und bietet dem Bediener so zusätzlichen Komfort bei Arbeiten mit langen Ausleger- und Verlängerungslängen.
- Cabine : la cabine série E sur la RT9130E s'incline jusqu'à 20°, procurant ainsi à l'opérateur davantage de confort lorsqu'il travaille avec une longue flèche et des extensions.
- Cabina : la cabina de la serie "E" de la RT9130E bascula hasta 20°, lo que proporciona al operador una comodidad adicional al trabajar en longitudes de pluma y extensiones largas.
- Cabina : La cabina serie "E" della RT9130E è inclinabile fino a 20° per un miglior comfort dell'operatore quando lavora con bracci e prolunghe molto lunghi.
- Cabina : A cabina de série "E" na RT9130E tem uma inclinação até 20°, permitindo um maior conforto do operador quando trabalha com uma lança longa e comprimentos de extensão.
- Кабина : Кабина серии «E» модели RT9130E имеет наклон до 20°, что обеспечивает оператору дополнительный комфорт при работе со стрелами и удлинителями большой длины.

- Extensions : A 18 m offsettable bi-fold lattice swingaway extension and two 8 m inserts give the RT9130E a maximum tip height of 85 m. A hydraulically offsettable bi-fold lattice swingaway is also available, and conveniently offsets from 0° to 40° from the operator's cab.
- Verlängerungen : Mit einem abwinkelbaren 18 m Doppel-Klappspitzenausleger in Gitterbauweise und zwei 8 m Zwischenstücken erreicht der RT9130E eine maximale Rollenhöhe von 85 m. Eine hydraulisch abwinkelbarer Doppel-Klappspitzenausleger in Gitterbauweise ist ebenfalls erhältlich, er kann bequem von der Kabine aus von 0° bis 40° abgewinkelt werden.
- Extensions : une extension treillis à double repliage latéral de 18 m et deux éléments intermédiaires de 8 m donnent à la RT9130E une hauteur maximale de tête de flèche de 85 m. Une extension treillis à double repliage latéral hydraulique est également disponible, et s'incline de manière pratique de 0° à 40° par rapport à la cabine de l'opérateur.
- Extensiones : una extensión de plumín oscilante de celosía de doble pliegue compensado de 18 m y dos secciones insertadas de 8 m proporcionan a la RT9130E una altura máxima de 85 m de la punta al suelo. También está disponible una extensión de celosía abatible articulada en dos secciones hidráulicamente angulable, que puede compensarse de 0° a 40° desde la cabina del operario según sea necesario.
- Prolunghe : Prolunga del braccio rotante a traliccio ripiegabile da 18 m e due inserti di prolunga da 8 m consentono alla RT9130E un'altezza massima della punta di 85 m. È disponibile anche una prolunga del braccio rotante a traliccio ripiegabile idraulicamente. Disassatura da 0° a 40° dalla cabina dell'operatore.
- Extensões : Uma extensão swingaway treliçada de 18 m com dobragem dupla desviável e duas inserções de 8 m permitem que a RT9130E tenha uma altura máxima de 85 m. Também está disponível uma extensão swingaway treliçada hidráulica com dobragem dupla desviável, cujo desvio apropriado é de 0° a 40° a partir da cabina do operador.
- Удлинитель : Двусторонний складной решетчатый удлинитель стрелы длиной 18 м и две вставки длиной 8 м модели RT9130E обеспечивают максимальную высоту подъема 85 м. Также есть в наличии двусторонний складной решетчатый удлинитель с гидравлическим регулированием (возможность установки под углом 0° – 40° относительно кабины оператора).



- Removable outrigger boxes : Removable front and rear outrigger boxes provide up to 8788 kg of weight reduction for easier transport. Include the removable 18 100 kg of counterweight, auxiliary hoist and rope, and the RT9130E can easily self-remove close to 29 000 kg.
- Abnehmbare Abstützkästen : Abnehmbare Abstützkästen vorne und hinten verringern das Gewicht um bis zu 8.788 kg für einfachen Transport. Zusammen mit dem abnehmbaren 18.100 kg Gegengewicht, dem Hilfshubwerk und dem Seil kann das Gewicht des RT9130E leicht auf fast 29.000 kg verringert werden.
- Système de calage amovible : le système de calage avant et arrière amovible fournit une réduction de poids allant jusqu'à 8 788 kg pour un transport plus facile. De plus, un contrepoids, un câble et un treuil auxiliaire amovibles de 18 100 kg permettent de réduire facilement le poids de la RT9130E de près de 29 000 kg.

- Bases de los estabilizadores extraíbles : las bases anteriores y posteriores de los estabilizadores proporcionan una reducción del peso de hasta 8.788 kg para un transporte más sencillo. Incluyen el contrapeso extraíble de 18.100 kg y los cables de elevación auxiliares. Asimismo, la RT9130E puede autoextraer cerca de 29.000 kg con facilidad.
- Stabilizzatori rimovibili : La possibilità di rimuovere gli stabilizzatori anteriori e posteriori consente una riduzione del peso di 8788 kg per facilitare il trasporto. Includendo il contrappeso rimovibile da 18.100 kg, l'argano ausiliario e la fune è possibile alleggerire la RT9130E di circa 29.000 kg.
- Caixas de escora amovíveis : As caixas de escora dianteiras e traseiras amovíveis permitem uma redução de peso até 8788 kg para maior facilidade no transporte. Inclua um contrapeso amovível de 18 100 kg, guindaste e corda auxiliares e a RT9130E pode ser facilmente removida ao atingir um valor próximo dos 29 000 kg.
- Съёмные блоки выносных опор : Съёмные блоки передних и задних выносных опор обеспечивают снижение веса до 8788 кг для упрощения транспортировки. Съёмный противовес 18 100 кг, вспомогательная лебедка и трос, обеспечивают для модели RT9130E снижение веса до 29 000 кг.

- Boom : the 48,8 m five-section Full Power boom incorporates the "U" shaped MEGAFORM™ design, which eliminates stiffeners, thus reducing weight and increasing capacity.
- Ausleger : Der 48,8 m lange, fünfteilige, voll teleskopierbare Ausleger verfügt über das U-förmige MEGAFORM™-Design, wodurch keine Aussteifungen erforderlich sind, das Gewicht verringert und die Leistung erhöht wird.
- Flèche : la flèche télescopique hydraulique à cinq éléments de 48,8 m intègre la conception MEGAFORM™ en forme de U, ce qui élimine les renforts, et donc réduit le poids et augmente la capacité.
- Pluma : la pluma de plena potencia de cinco secciones, de 48,8 m, incorpora el diseño MEGAFORM™ en forma de "U", lo que elimina los rigidizadores, reduce el peso e incrementa la capacidad.
- Braccio : Il braccio Full Power in cinque sezioni da 48,8 m è realizzato con il design a "U" MEGAFORM™, che elimina elementi di rinforzo riducendo il peso e aumentando la capacità.
- Lança : a lança de 48,8 m com cinco secções de potência total possui o design MEGAFORM™ em forma de "U" que elimina os reforços, reduzindo assim o peso e aumentando a capacidade.
- Стрела : Пятисекционная стрела максимальной мощности длиной 48,8 м имеет U-образную конструкцию MEGAFORM, без ребер жесткости, таким образом уменьшается ее вес и увеличивается грузоподъемность.



# Contents • Inhalt • Contenu • Contenido Contenuto • Índice • Содержание

<b>Features • Besonderheiten • Caractéristiques • Caratteristiche</b>	
<b>Características • Características • Осоюенности</b>	<b>2</b>
<b>Specification</b>	<b>4</b>
<b>Technische Daten</b>	<b>5</b>
<b>Caractéristiques techniques</b>	<b>6</b>
<b>Características</b>	<b>7</b>
<b>Caratteristiche tecniche</b>	<b>8</b>
<b>Características técnicas</b>	<b>9</b>
<b>Технические характеристики</b>	<b>10</b>
<b>Data • Daten • Caractéristiques • Datos • Dati • Características • Данные</b>	<b>11</b>
<b>Dimensions • Abmessungen • Encombremet • Dimensiones • Dimensioni • Dimensões • Размеры</b>	<b>12</b>
<b>Load charts • Traglasten • Capacités de levage • Capacidades • Capacità • Diagramas de carga</b>	
<b>Таблицы грузоподъемности</b>	
Notes • Hinweise • Notes • Notas • Note • Notas • Примечания	13
Working Range • Arbeitsbereiche • Diagramme de levage • Gama de trabajo • Area di lavoro • Area de trabalho	
Грузовысотные характеристики	14
Telescopic Boom • Teleskopausleger • Flèche principale • Pluma telescópica • Braccio telescopico	
Lança telescópica • Телескопическая стрела	15
Swingaway • Klappspitze • Extension treillis • Plumín • Jib • Swingaway • Откидной удлинитель стрелы	18
Weight reductions • Gewichte der Lastaufnahmemittel • Reductions de charge	
Reducciones de peso • Riduzioni di peso • Reduções de peso • Снижение веса	21
<b>Symbols • Symbolerklärung • Glossaire des symboles • Glosario de símbolos • Glossario dei simboli • Símbolos</b>	
<b>СИМВОЛЫ</b>	<b>23</b>



Manitowoc Crane Care is the Manitowoc's unparalleled product support organisation. Manitowoc Crane Care combines all aspects of parts, service, technical documentation, technical support and training into one organisation. The program includes all of the Manitowoc's brands, which include, Potain, Grove, Manitowoc and National Crane.

For the care of your crane and the prosperity of your business, Manitowoc Crane Care is your single source for customer support. Wherever, whenever, whatever – we're there.

Manitowoc Crane Care vereint alle Serviceleistungen von Manitowoc im Produktsupport vor und nach dem Verkauf: Ersatzteile, Service, technische Dokumentation, technischer Support und Schulung, alles unter einem Dach. Dieser Service erstreckt sich auf alle Marken von Manitowoc: Potain, Grove, Manitowoc und National Crane.

Damit Ihr Kran leistungsfähig bleibt und Ihr Erfolg gesichert ist, bietet Ihnen Manitowoc Crane Care einen umfassenden Support aus einer Hand. Zu jeder Zeit, an jedem Ort, für jeden Fall – wir sind für Sie da.

Organisation hors pair dédiée au support technique des produits de Manitowoc, Manitowoc Crane Care réunit au sein d'une même entité tous les aspects du service : pièces de rechange, service après-vente, publication technique, assistance technique et formation. Ce programme s'adresse à toutes les marques de Manitowoc : Potain, Grove, Manitowoc et National Crane.

Pour assurer l'entretien de vos grues et la prospérité de votre entreprise, Manitowoc Crane Care constitue votre unique interlocuteur du service à la clientèle. Où que vous soyez, quel que soit votre besoin, vous pouvez toujours compter sur nous !

Manitowoc Crane Care, es la organización post-venta y soporte técnico de Manitowoc. Manitowoc Crane Care combina todos los aspectos de piezas de repuesto, servicio, documentación técnica, apoyo técnico y formación en un único lugar. El programa también incluye todas las ramas Manitowoc que engloba Potain, Grove, Manitowoc y National Crane.

Para el cuidado de su grúa y la prosperidad de su negocio, Manitowoc Crane Care, es la forma más sencilla de ayudarle. Donde sea y cuando sea, nosotros estamos allí.

Manitowoc Crane Care è l'ineguagliabile organizzazione di supporto di Manitowoc. Manitowoc Crane Care gestisce tutte le attività legate a pezzi di ricambio, documentazione tecnica, assistenza tecnica e formazione riunite in un unico punto di riferimento. Questo servizio è attivo per tutti i marchi di Manitowoc e precisamente Potain, Grove, Manitowoc e National Crane.

Per l'assistenza delle Vostre gru e per la redditività dei Vostri investimenti, Manitowoc Crane Care è l'insostituibile Vostra risorsa. In ogni posto, tutte le volte, per qualsiasi necessità – noi ci siamo.

Organização verdadeiramente ímpar do Manitowoc Crane Group, é à Manitowoc Crane Care que compete a responsabilidade pelo suporte técnico dos nossos produtos. Ela reúne, numa mesma entidade, todos os aspectos do serviço: peças de substituição, serviço pós-venda, documentação técnica, suporte técnico e formação. Este programa abrange todas as marcas do Manitowoc Crane Group: Potain, Grove, Manitowoc e National Crane.

Para assegurar a manutenção cuidada das suas gruas e a prosperidade do seu negócio, o seu único interlocutor do serviço de clientes é a Manitowoc Crane CARE. Esteja onde estiver, sejam as horas que forem, precise do que precisar, pode sempre contar connosco!

Manitowoc Crane Care - это не имеющая аналогов организация, входящая в Manitowoc и осуществляющая техническую поддержку продукции. Manitowoc Crane Care занимается всеми аспектами, связанными с запасными частями, услугами, технической документацией, технической поддержкой и обучением. Программа включает все торговые марки Manitowoc, в том числе, Potain, Grove, Manitowoc и National Crane.

Manitowoc Crane Care является единой точкой контактов для всех клиентов компании, где они могут получить полное обслуживание для используемых ими кранов, что, в свою очередь, обеспечит процветание их бизнеса. Мы всегда там и в тот момент, где и когда мы необходимы.

# Specification

## Superstructure



### Boom

12,8 m – 48,8 m, five section, full power boom. Maximum tip height: 51,5 m.



### Bifold swingaway extension

11,0 m - 18,0 m bifold lattice swingaway extension. Offsets 0°, 20° and 40°. Stows alongside base boom section. Maximum tip height: 69,2 m.



### \*Lattice Swingaway inserts

2 x 8 m lattice extension inserts. Installs between the boom nose and bifold extension, non-stowable. Maximum tip height: 85,0 m.



### Boom elevation

One double acting hydraulic cylinder with integral holding valve provides elevation from -3° to +78°.



### Load moment and anti-two block system

Standard "Graphic Display" load moment and anti-two block system with audio-visual warning and control lever lockout. These systems provide electronic display of boom angle, length, radius, tip height, relative load moment, maximum permissible load, load indication and warning of impending two-block condition. The standard Work Area Definition System allows the operator to pre-select and define safe working areas. If the crane approaches the pre-set limits, audio-visual warnings aid the operator in avoiding job-site obstructions.



### Cab

Full-vision, all-steel fabricated with acoustical lining and tinted safety glass throughout. Cab tilts to +20 degrees. Deluxe seat incorporates armrest-mounted hydraulic single-axis controllers. Dash panel incorporates gauges for all engine functions. Other standard features include: hot water heater, cab circulating air fan, air conditioning, sliding side and rear windows, sliding skylight with electric wiper and sunscreen, electric windshield wash/wipe, fire extinguisher and seat belt.



### Slewing

Two speed, planetary swing drive with foot applied multi-disc wet brake. Spring applied, hydraulically released swing brake. 360° positive swing lock and two position mechanical house lock, both operated from cab. Maximum speed: 2,5 RPM.



### Counterweight

18 144 kg. Hydraulically installed and removed.



### Hydraulic system

Six main pumps with a combined capacity of 776 LPM. Maximum operating pressure: 331 bar. Two individual post pressure compensated valve banks. Return line type filter with full flow by-pass protection and service indicator. Replaceable cartridge with micron filtration rating of 5/12/16. 1230 L hyd. reservoir. Remote mounted oil cooler with thermostatically controlled hydraulic driven motor, fan/air to oil. System pressure test ports.



### Hoist

Planetary reduction with automatic spring applied multi-disc wet brake. Grooved drum. Electronic hoist drum rotation indicators, and hoist drum cable followers. Maximum Single Line Pull:

- 1st layer: 9 083 kg. • 3rd layer: 7 724 kg.
- 5th layer: 6 718 kg.

Maximum Permissible Line Pull: 7 620 kg with 6X37 class rope.  
7 620 kg. with 35X7 Rotation Resistant rope.

Maximum Single Line Speed: 171 m/min.

Rope Construction: 6X36 EIPS IWRC, Special Flexible  
35x7 Flex-X, Rotation Resistant

Rope Diameter: 19mm.

Rope Length: Main Hoist: 290 m - Auxiliary Hoist: 213 m.

Maximum Rope Stowage: 368 m.

## Carrier



### Carrier frame

Box section frame fabricated from high-strength, low alloy steel. Removable outrigger housings, front/rear towing and tie down lugs.



### Outriggers

Four hydraulic telescoping single-stage double box beam outriggers with inverted jacks and integral holding valves. Three position setting, 0%, 50% and fully extended. Outrigger boxes removable for ease of transportation. All steel fabricated, quick release type outrigger floats, 775 mm diameter. Maximum outrigger pad load: 75 298 kg. Controls and crane level indicator located in cab.



### Engine

Cummins QSC8.3L diesel, six cylinders, 300 bhp, 224 kW (Gross) @ 2,200 RPM. Maximum torque: 1356 Nm @ 1,600 RPM.



### Transmission

Sequential powershift with 6 forward and 3 reverse speeds. Front axle disconnect for 4 x 2 travel.



### Drive/Steer

4 x 4.

Fully independent power steering:

Front: Full hydraulic steering wheel controlled.

Rear: Full hydraulic switch controlled.

Provides infinite variations of 4 main steering modes: front only, rear only, crab and coordinated. Rear steer indicator. Turning radius: 7,5 m.



### Axles

Front: Drive/steer with differential and planetary reduction hubs rigid mounted to frame.

Rear: Drive/steer with differential and planetary reduction hubs pivot mounted to frame.



### Tyres

Std. 33,25 X 29 - 38 bias ply, Titan.



### Brakes

Full hydraulic split circuit operating on all wheels. Spring-applied, hydraulically released parking brake mounted on front axle.



### Lights

Full lighting including turn indicators, head, tail, brake and hazard warning lights.



### Maximum speed

24 km/h.



### Gradeability (theoretical)

75 % based on 81 647 kg GVW, 33,25 x 29 tyres, pumps engaged, 48,0 m boom, plus 18,0 m swingaway, 18 144 kg counterweight, hookblock and headache ball.



### Electrical system

Two 12 V - maintenance free batteries. 12 V starting and lighting, circuit breakers.

### \* Optional equipment

- Auxiliary lighting package (includes cab mounted amber flashing light, hoist mounted work light, and dual base boom mounted floodlights).
- LMI light bar (in cab).
- 360° NYC style mechanical swing lock.
- Rear Pintle hook.
- Cab controlled cross axle differential locks, (front and rear).
- PAT data logger.
- 130t hookblock.
- CE Mark conformance.
- Wind speed indicator.
- Hydraulic offsetable bifold lattice swingaway extension.
- Third wrap indicator with hoist cut-out (main and auxiliary).

\*Denotes optional equipment

## Kranoberwagen



### Ausleger

Fünfteiliger, voll teleskopierbarer Ausleger, 12,8 m bis 48,8 m Länge.  
Maximale Rollenhöhe 51,5 m.



### Doppelklappspitze

Klappspitzenausleger in Gitterbauweise, 11,0 m bis 18,00 m. Abwinkelung 0°, 20° und 40°. Neben dem Ausleger-Grundstück verstaubar.  
Maximale Arbeitshöhe : 69,2 m.



### \*Klappzwischenstücke in Gitterbauweise

Zwei (2) Zwischenstücke in Gitterbauweise, jeweils 8 m lang. Anbau zwischen Auslegerkopf und Doppel-Klappspitze, nicht verstaubar. Maximale Rollenhöhe: 85,0 m.



### Wippwerk

Ein doppelt wirkender Hydraulikzylinder mit integriertem Sicherheits-Rückschlagventil. Auslegerverstellwinkel von -3° bis +78°.



### Lastmoment- und Hubendschalter-System

System für Lastmomentbegrenzung über Standard-„Grafikdisplay“ und Anti-Two Block System mit akustisch-optischer Warnung und Steuerhebelsperre. Diese Systeme bieten elektronische Anzeige von Auslegerwinkel, Auslegerlänge, Radius, Arbeitshöhe, relativem Lastmoment, maximal zulässiger Last, Hakenlast und Hubendschaltungs-Vorrichtung. Das zur Standardausrüstung gehörende System zur Arbeitsbereichsbegrenzung ermöglicht es dem Bediener, sichere Arbeitsbereiche vorzugeben und zu definieren. Nähert sich der Kran der Begrenzung des sicheren Arbeitsbereichs, wird der Bediener akustisch und optisch gewarnt, wodurch Kollisionen am Einsatzort vermieden werden.



### Kabine

Rundsichtkabine, in Stahlblech ausgeführt, mit Schalldämmung und getöntem Sicherheitsglas. Kabine lässt sich um +20 Grad neigen. Komfortsitz mit in die Armlehnen integrierten, einachsigen verstellbaren Steuerhebeln. Armaturenbrett mit Anzeigen für alle Motorfunktionen. Weitere Standardausrüstung: Heißwasserheizung, Umluftgebläse, Schiebefenster seitlich und hinten, Dachschiebefenster mit elektrischem Scheibenwischer und Sonnenschutz, elektrischer Frontscheibenwischer/Waschanlage, Feuerlöscher und Sicherheitsgurt. Klimaanlage.



### Schwenkwerk

Zweistufiges Planetenschwenkwerk mit fußbetätigter Mehrscheiben-Ölbadbremse. Hydraulisch lösbare Federspeicher-Feststellbremse. 360° Schwenkwerkverriegelung und in zwei Stellungen festsetzbare Bolzenverriegelung, beide von der Kabine aus bedienbar. Max. Drehgeschwindigkeit: 2,5 RPM.



### Gegengewicht

Gegengewicht 18 144 kg, hydraulisch an- und abbaubar.



### Hydrauliksystem

Sechs Hauptpumpen mit einer Gesamtfördermenge von 776 l/Min. Maximaler Betriebsdruck: 331 bar. Zwei einzelne druckkompensierte Ventilblöcke. Filter mit Vollstrom-Bypassschutz und Wartungsanzeige im Rücklauf. Wechsellpatrone mit einer Filtrationsleistung von 5/12/16. Fassungsvermögen des Hydrauliktanks: 1230 Liter. Abgesetzt montierter Ölkühler mit thermostatisch geregelter, vom Hydraulikmotor angetriebenem Lüfter/Luft-zu-Öl. Systemdruck-Prüfanschlüsse.



### Hubwerk

Planetengetriebe mit automatischer Federspeicher-Mehrscheibenbremse im Ölbad. Gerillte Seiltrommel. Elektronischer Hubwerksumdrehungs-Melder sowie Seilführungsbügel.

Maximaler Seilzug mit einfachem Strang:

- Erste Lage: 9 083 kg. • Dritte Lage: 7 724 kg.
- Fünfte Lage: 6 718 kg.

Maximal zulässiger Seilzug: 7 620 kg mit Seil Kategorie 6 x 37  
7 620 kg mit 35x7 Flex-X, drallfrei.

Maximale Seilgeschwindigkeit mit einfachem Strang: 171 m/Min.

Seilaufbau : 6X36 EIPS IWRC, besonders flexibel.  
35x7 Flex-X, drallfrei..

Seildurchmesser: 19mm.

Seillänge: Haupthubwerk : 290 m. Hilfshubwerk : 213 m.

Hubwinde für max. 368 m Seil ausgelegt.

## Kranunterwagen



### Rahmen

Kastenprofilrahmen aus hochfestem Feinkornstahl.  
Abschlepp- und Verzurrösen vorne/hinten.



### Abstützungen

Vier hydraulisch teleskopierbare, einteilige Kastenprofil-Abstützträger mit innen geführten Stützzyllindern und integrierten Halteventilen. Drei Stellungen: 0%, 50% und voll ausgefahren. Abnehmbare Abstützkästen für einfachen Transport.  
Abstützteller mit Schnellverriegelung aus Stahl, Durchmesser 775 mm. Maximale Last auf den Abstützstellern: 75 298 kg. Bedienelemente und Nivellieranzeige in der Kabine.



### Motor

Cummins QSB 8,3 Liter Sechszylinder-Dieselmotor, 300 PS, 224 kW (brutto) bei 2 200 U/Min. Max. Drehmoment : 1356 Nm bei 1 600 U/Min.



### Getriebe

Powershiftautomatikgetriebe, 6 Vorwärtsgänge und 3 Rückwärtsgänge.  
Abkoppelung der Vorderachse für Fahrtrieb 4 x 2.



### Antrieb/Lenkung

4 x 4.

Separate Servolenkung :

Vorne : Vollhydraulisch, über Lenkrad betätigt.

Hinten : Vollhydraulisch, über Schalter betätigt.

Stellt vier stufenlos veränderliche Lenkarten bereit : Nur vorne, nur hinten, Hundegang und koordiniert. Lenkungsanzeige hinten. Wendekreis : 7,5 m.



### Achslinien

Vorne: Antrieb/Lenkung über Differenzial und Planetenuntersetzungsgetriebe, fest mit dem Rahmen verbunden.

Hinten: Antrieb/Lenkung über Differenzial und Planetenuntersetzungsgetriebe, pendelnd mit dem Rahmen verbunden.



### Bereifung

Standard 33,25 x 29 – 38-lagig, Diagonalreifen, Titan.



### Bremsen

Vollhydraulische Bremsen mit geteilten Bremskreisen, auf alle Räder wirkend.  
Hydraulisch lösbare Federspeicher-Feststellbremse, auf die Vorderachse wirkend.



### Beleuchtung

Volle Beleuchtungsanlage mit Blinkleuchten, Scheinwerfern, Schluss- und Bremsleuchten und Warnblinkanlage.



### Höchstgeschwindigkeit

24 km/h.



### Elektrische Anlage

Zwei wartungsfreie 12-Volt-Batterien. 12-V-Anlasser und Beleuchtung, Sicherungsschalter.

### \* Zusatzausrüstung

- Zusatzbeleuchtungspaket (einschl. kabinenmontierte Rundumwarnleuchte [orange], hubwerksmontierte Arbeitsleuchte und zwei am Ausleger-Grundstück montierte Flutlichter).
- LMI Leuchtenleiste (in der Kabine)
- Mechanische Schwenkwerksverriegelung, 360 Grad, Typ NYC.
- Abschleppöse hinten.
- Differenzialsperren (vorne und hinten), von der Kabine aus zuschaltbar.
- PAT Datalogger.
- Hakenflasche 130 t •
- CE-Konformität
- Windgeschwindigkeitsanzeige.
- Hydraulisch abwinkelbarer Doppel-Klappspitzenausleger.
- Windenseil 3-Lagen-Anzeige mit Windenabschaltung (Haupt- und Hilfswinde).

# Caractéristiques techniques

## Superstructure



### Flèche

12,8 m – 48,8 m. Flèche télescopique hydraulique, à cinq éléments. Hauteur maximale de tête de flèche : 51,5 m.



### Extension treillis

Extension treillis à double repliage latéral de 11,0 m à 18,0 m. Possibilité de déport à 0°, 20° et 40°. Repliage le long de l'élément de flèche de base. Hauteur max. de tête d'extension : 69,2 m.



### \*Extensions treillis à repliage latéral

2 éléments intermédiaires de 8 m pour extension treillis installés entre la tête de flèche principale et l'extension treillis double ; éléments transportés séparément. Hauteur max. d'extension treillis : 85,0 m.



### Relevage

Un vérin hydraulique double effet avec clapet anti-retour intégré. Angles de relevage -3° à +78°.



### Contrôleur d'état de charge et dispositif de fin de course haute crochet indépendant

En standard, contrôleur d'état de charge à affichage graphique et dispositif de course haute avec alarmes sonores et visuelles et dispositif de coupure des mouvements. Ces dispositifs donnent un affichage graphique de l'angle et de la longueur de flèche, de la portée, de la hauteur de tête de flèche, du moment relatif, de la charge maximum autorisée, de la charge levée et de sécurité de fin de course haute crochet. Le dispositif standard de limitation du domaine d'évolution (Work Area Definition System) permet à l'utilisateur de pré-définir et limiter le domaine de travail autorisé.



### Cabine

Cabine panoramique tout acier avec isolation sonore et vitrages de sécurité teintés, inclinable à 20°. Siège ergonomique équipé de manipulateurs multidirectionnels électriques doubles-axes intégrés aux accoudoirs. Tableau de bord équipé de tous les instruments nécessaires à la surveillance du moteur. Autres équipements montés en standard : colonne de direction réglable en inclinaison, chauffage de cabine à eau chaude, ventilateur, vitrages coulissants latéraux et arrière, vitre de toit coulissante équipée d'un essuie-glace et d'un rideau pare-soleil, essuie-glace et lave-glace de pare-brise, extincteur et ceinture de sécurité, air conditionné.



### Orientation

Réducteur d'orientation à planétaires, frein multi-disques immergés à commande au pied. Serrage par ressorts et desserrage hydraulique. Blocage d'orientation positive sur 360° et verrouillage mécanique d'orientation sur deux positions, le tout commandé depuis la cabine. Vitesse maximale : 2,5 tpm.



### Contrepoids

Contrepoids de 18 144 kg à mise en place et dépose hydraulique.



### Système hydraulique

Six pompes principales donnant un débit combiné de 776 litres/min. Pression maximum de service : 331 bars. Deux distributeurs hydrauliques indépendants avec compensateurs de pression. Filtre hydraulique sur circuit de retour avec protection par dérivation plein débit et indicateur de colmatage. Cartouche amovible avec classe de filtration micrométrique 5/12/16. Réservoir hydraulique de 1 230 litres. Refroidisseur air/huile, installé à distance, entraîné par moteur hydraulique à commande thermostatique. Prises de pressions rapides.



### Treuil

Entraînement par réducteur à planétaires et frein multi-disques immergés. Indicateurs électroniques de rotation du treuil et dispositif presse-câble. Efforts max. sur brin simple :

- 1<sup>ère</sup> couche : 9 083 kg.
- 3<sup>e</sup> couche : 7 724 kg.
- 5<sup>e</sup> couche : 6 718 kg.

Effort max. autorisé sur brin simple : 7 620 kg avec câble de classe 34x37. Vitesse max. de déroulement : 171 m/min.

Câbles antigiratoires type 6 x 36 EIPS IWRC, Special Flexible ou 35x7 Flex-X. Diamètre : 19 mm.

Longueur de câble : Treuil principal : 290 m et auxiliaire : 213 m

Capacité maximum de câble : 368 m

## Châssis



### Châssis

Châssis caissonné mécanosoudé en acier à haute limite élastique. Carters de dispositifs de calage amovibles, chapes de remorquage et d'arrimage à l'avant et à l'arrière.



### Dispositif de calage

Quatre poutres de calage hydrauliques télescopiques avec vérins inversés et clapets anti-retour intégrés. Calage autorisé en trois positions : 0 – 50% et 100%.

Systèmes de calage amovibles pour faciliter le transport. Patins d'appui en acier (775 mm de diamètre) avec dispositifs de fixation rapide. Charge maximum sur appui : 75 298 kg. Commandes de calage et indicateur de niveau dans la cabine.



### Moteur

Moteur Diesel 6 cylindres Cummins QSB 8,3 L développant 300 Ch, 224 kW (brut) à 2 200 tours/min. Couple maximum : 1356 Nm à 1 600 tours/min.



### Boîte de vitesse

Boîte de vitesses à 6 rapports avant et 3 rapports arrière. Débrayage de pont avant pour déplacement en 4 x 2.



### Direction/transmission

4 x 4.

Direction hydraulique indépendante :

Avant : Direction hydraulique indépendante actionnée par volant.

Arrière : Direction hydraulique indépendante commandée par interrupteur au tableau de bord.

Combinaisons infinies des quatre modes de direction : avant uniquement, arrière uniquement, marche en crabe et mode coordonné. Indicateur de direction arrière. Rayon de braquage : 7,5 m.



### Ponts

Avant : Pont moto-directeur avec différentiel et réductions à planétaires dans les moyeux fixé de manière rigide au châssis.

Arrière : Pont moto-directeur avec différentiel et réductions à planétaires dans les moyeux articulé au châssis



### Pneumatiques

Pneumatiques standard 33,25 x 29 à carcasse conventionnelle 38 plis, Titan.



### Freins

Freinage sur toutes les roues avec circuit scindé. Frein de stationnement à serrage par ressorts et desserrage hydraulique sur l'essieu avant.



### Eclairage

Eclairage complet incluant les clignotants, ainsi que les feux avant, arrière, de freinage et de détresse.



### Vitesse maximum

24 km/h.



### Installation électrique

Deux batteries sans entretien de 12 Volts pour l'éclairage et le démarrage. Coupe circuit.

### \* Equipements optionnels

- Ensemble d'éclairage auxiliaire (inclut le girophare orange sur cabine, le feu de travail sur treuil et deux phares de travail montés à l'extrémité du caisson de base).
- Barrette d'affichage CEC (en cabine).
- Verrouillage mécanique d'orientation 360° (type "Ville de New York").
- Crochet de remorquage.
- Différentiels inter-roues commandés depuis la cabine (avant et arrière).
- Enregistreur de données PAT data logger.
- Moufle de 130 t
- Conformité CE.
- Indicateur de vitesse du vent
- Extension treillis à double repliage latéral hydraulique.
- Indicateur d'enroulement tiers avec coupe-circuit de treuil (principal et auxiliaire).

\*Équipements optionnels

## Superestructura



### Pluma

Pluma totalmente hidráulica de cinco secciones, de 12,8 - 48,8 m. Altura máxima en punta al suelo : 51,5 m.



### Plumín de celosía

Plumín de celosía articulado en dos secciones de 11,0 m - 18,0 m. Angulable 0°, 20° y 40°. Plegable junto al tramo base de la pluma. Altura máxima en punta: 69,2 m.



### \*Secciones insertadas de celosía abatibles

2 secciones de extensión de pluma de celosía de 8,0 m. Se instalan entre la cabeza de la pluma y el plumín de celosía, no se pueden plegar junto al tramo base de la pluma. Altura máxima en punta : 85,0 m.



### Elevación de pluma

Un cilindro hidráulico de doble efecto con válvula de retención integrada logrando elevación entre -3° y +78°.



### Sistema indicador del momento de carga y de final de carrera del gancho

Momento de carga estándar "con indicador gráfico" y sistema antibloqueo doble con señal de aviso sonora y visual y bloqueo de la palanca de control. Estos sistemas proporcionan la visualización en una pantalla electrónica del ángulo, longitud, radio, altura de la punta al suelo, momento de carga relativo, carga máxima admisible, indicación de carga y aviso del estado del bloqueo doble inminente de la pluma. El sistema de definición del área de trabajo estándar permite al operario preseleccionar y definir zonas de trabajo seguras. Si la grúa se acerca a los límites predefinidos, una señal de aviso sonora y visual ayuda al operario a evitar obstrucciones en el lugar de la obra.



### Cabina

Cabina de visión panorámica, toda ella fabricada en acero con revestimiento acústico y cristal de seguridad tintado por completo. La cabina bascula hasta +20 grados. Asiento de lujo que incorpora los controles eléctricos de operación montados en reposabrazos. El panel de instrumentos incorpora indicadores para todas las funciones del motor. Forman parte del equipo de serie: volante regulable en altura, calefacción de agua, ventilador para la cabina, ventanillas laterales y traseras deslizantes, ventana superior abatible con limpia-parabrisas eléctrico y parasol, extintor y cinturón de seguridad. Aire acondicionado.



### Rotación

De dos velocidades, giro deslizante mediante planetarios con freno de discos múltiples accionado por pedal. Freno de giro accionado mediante resorte con desconexión hidráulica. Bloqueo de giro en los 360° y bloqueo interno mecánico de dos posiciones accionados desde la cabina. Velocidad máxima: 2,5 rpm.



### Contrapeso

18 144 kg. Instalado y desmontado hidráulicamente.



### Sistema hidráulico

Seis bombas principales con una capacidad combinada de 776 LPM. Presión de funcionamiento máxima: 331 bares. Dos bancos de válvulas de presión compensada. Filtro el el retorno con protección total ante derivaciones de flujo e indicador de mantenimiento. Cartucho reemplazable con una tasa de microfiltrado de 5/12/16. Depósito hidráulico de 1 230 l. Refrigerador separado de aceite con motor hidráulico controlado termostáticamente. Puertos de prueba de presión del sistema.



### Especificaciones del mecanismo de elevación principal y auxiliar

Reducción planetaria con freno automático de discos múltiples aplicado mediante resorte. Tambor acanalado con indicadores electrónicos de rotación del tambor. Tensión máxima de un solo ramal de cable:

- Primera capa: 9 083 kg.
- Tercera capa: 7 724 kg.
- Quinta capa: 6 718 kg.

Tracción máxima admisible del cable: 7 620 kg con cable de clase 34x37.

7 620 kg con cable 35 x 7 antirrotación.

Velocidad máxima de un solo cable: 171 m/min

Estructura del cable : 6x36 EIPS IWRC, flexible especial  
35x7 Flex-X, antirrotación.

Diámetro del cable : 19 mm.

Longitud del cable : Cabrestante principal : 290 m y auxiliar : 213 m.

Capacidad máxima de cable en el tambor : 368 m.

## Chasis



### Bastidor

Estructura del chasis tipo cajón fabricada en acero de alta resistencia. Cajones de las vigas de los estabilizadores desmontables. Orejetas de amarre y gancho de arrastre.



### Estabilizadores

Cuatro estabilizadores hidráulicos telescópicos de doble viga con gatos invertidos y válvulas de retención integradas. Tres ajustes de posición: 0%, 50% y totalmente extendidos. Cajones de los estabilizadores extraíbles para facilitar el transporte. Placas base de los estabilizadores de accionamiento rápido, fabricadas completamente de acero de 775 mm de diámetro. Carga máxima sobre cada placa de apoyo de: 75.298 kg. Controles e indicador del nivel de la grúa situados en la cabina.



### Motor

Cummins QSB 8,3 L diesel seis cilindros, 300 CV, 224 kW a 2 200 rpm. Par motor máximo : 1356 Nm a 1 600 rpm.



### Transmisión

Caja de cambios automática de 6 velocidades adelante y 3 atrás. Desconexión del eje frontal para un desplazamiento 4 x 2.



### Tracción/Dirección

4 x 4.

Dirección totalmente asistida independiente entre ejes :

Delantera : Totalmente hidráulica, controlada por volante.

Trasera : Totalmente hidráulica, controlada por interruptor.

Infinitamente variable en los 4 modos de dirección principales : sólo delantera, sólo trasera, control de giro (tipo cangrejo) y coordinada.

Indicador de dirección trasera. Radio de giro: 7,5 m.



### Ejes

Delantero : Tracción/dirección con reducción planetaria y diferencial, montaje rígido en la estructura.

Trasero : Tracción/dirección con reducción planetaria y diferencial, montaje pivotante en la estructura.



### Neumáticos

Estándar 33,25 x 29 - 38 lonas, Titan.



### Frenos

Circuito de frenos totalmente hidráulico operando sobre todas las ruedas. Freno de estacionamiento montado sobre el eje delantero que se acciona mediante resorte y se libera hidráulicamente.



### Luces

Iluminación completa que incluye intermitentes, indicadores superiores, traseros, de freno y de peligro.



### Velocidad máxima

24 km/h.



### Sistema eléctrico

Dos baterías de 12V sin mantenimiento. Arranque e iluminación de 12V. Desconexión de la batería.

### \* Equipamiento opcional

- Paquete de iluminación auxiliar (incluye luz intermitente ámbar montada sobre la cabina, luz de trabajo montada en el mecanismo de elevación y luces de resalte dobles montadas en la pluma base.)
- Barra de iluminación del LMI (en la cabina)
- Bloqueo de oscilación estilo NYC de 360 grados
- Gancho trasero con pasador de cadena
- Bloqueos del diferencial de eje cruzado controlados desde la cabina (delanteros y traseros)
- Registrador de datos PAT
- Gancho de 130 t
- Marcado de conformidad CE
- Indicador de velocidad del viento.
- Extensión de celosía abatible articulada en dos secciones hidráulicamente angulable.
- Indicador de tercer ciclo con seguridad de cable (principal y auxiliar).

\*Indica equipo opcional.

# Caratteristiche tecniche

## Sovrastruttura



### Braccio

Braccio a piena potenza a cinque sezioni da 12,8 m a 48,8 m.  
Altezza massima in punta: 51,5 m.



### Jib telescopico ripiegabile

Falcone tralicciato inclinabile da 11,0 - 18,0 m. Inclinabile a 0°, 20° e 40°.  
Alloggiabile lungo la sezione del braccio. Altezza massima in punta: 69,2 m.



### \*Inserti di prolunga a traliccio

2 x 8 m sezioni intermedie tralicciate. Installabili tra la punta del braccio ed il falcone, non alloggiabili lungo il braccio. Altezza massima in punta: 85,0 m.



### Sollevamento braccio

Un cilindro idraulico a doppia azione con valvola di blocco integrale fornisce il sollevamento braccio con angolo da -3° a +78°.



### Limitatore di carico e finecorsa

Momento di carico standard con display grafico, sistema anti-doppio bloccaggio con allarme e bloccaggio dei movimenti. Visualizzazione grafica dell'angolo del braccio, lunghezza, raggio, altezza in punta, indicazione del carico e del carico ammissibile massimo. Il sistema standard di definizione dell'area di lavoro permette all'operatore di preselezionare e definire le aree di lavoro sicure. Se l'autogru si avvicina ai limiti preimpostati, degli allarmi acustici e visivi aiutano l'operatore ad evitare gli ostacoli sul posto di lavoro.



### Cabina

Ottima visibilità, costruita completamente in acciaio, insonorizzata. La cabina si inclina fino a +20°. Il sedile ergonomico è dotato di comandi elettrici a doppio asse integrati nei braccioli. Il cruscotto incorpora la strumentazione per tutte le funzioni del motore. Altre caratteristiche standard comprendono: volante inclinabile, riscaldamento ad acqua, ventola per la circolazione dell'aria nella cabina, finestrini scorrevoli, lava/tergicristallo elettrico, estintore e cintura di sicurezza. Aria condizionata.



### Rotazione

Comando di rotazione a due velocità, con riduttore planetario e freno idraulico a disco multiplo azionato a pedale. Freno di stazionamento a molla rilasciato idraulicamente. Bloccaggio meccanico della rotazione a 360° e con arresto meccanico in due posizioni, entrambi con azionamento dalla cabina. Velocità massima: 2,5 giri/minuto.



### Contrappeso

18 144 kg. Installato e rimosso idraulicamente.



### Impianto idraulico

Sei pompe principali con capacità totale di 776 l/min. Pressione operativa massima: 331 bar. Due valvole singole di controllo a pressione compensata. Filtro sulla linea di ritorno non bypassabile e indicatore di manutenzione. Cartuccia sostituibile con valore di filtraggio micronico di 5/12/16. Capacità del serbatoio idraulico 1230 l. Scambiatore di calore dell'olio indipendente, con motore idraulico comandato da termostato. Prese per la misura della pressione del sistema.



### Specifiche dell'organo principale e ausiliario

Riduttore planetario e freno negativo multidisco ad azionamento automatico. Tamburo scanalato. Indicatore elettronico di rotazione del tamburo sul joystick e guide per cavo tamburo organo.

Tiro massimo con singola fune:

- Primo strato: 9 083 kg. • Terzo strato: 7 724 kg.
- Quinto strato: 6 718 kg.

Tiro massimo permesso sulla fune: 7 620 kg con fune di classe 6X37.  
7 620 kg con fune di classe 35X7, resistente alla rotazione.

Velocità massima con singola fune: 171 m/min.

Costituzione della fune: 6 x 36 EIPS IWRC, flessibilità speciale  
35x7 Flex-X, resistente alla rotazione.

Diametro fune: 19 mm.

Lunghezza della fune: sull'organo principale: 290 m e ausiliario: 213 m

Massima capacità di avvolgimento della fune sul tamburo: 368 m.

## Carro



### Telaio

Costruito con sezioni realizzate in acciaio ad alta resistenza. Alloggiamenti degli stabilizzatori rimovibili. Punto di fissaggio per traino anteriore e posteriore.



### Stabilizzatori

Quattro stabilizzatori ad azionamento idraulico e cilindri a stelo rovesciato, valvole di blocco integrali. Impostazione a tre posizioni, 0%, 50% e completamente estesi. Casse degli stabilizzatori rimovibili per agevolare il trasporto. Costruzione completamente in acciaio, piatti stabilizzatori a rilascio rapido, diametro 775 mm. Carico massimo piatti stabilizzatori: 75 298 kg. Comandi e indicatore di livello della gru situati all'interno della cabina.



### Motore

Diesel Cummins QSB da 8,3 l, 6 cilindri, 300 CV, 224 kW (lordi) a 2200 giri al minuto. Coppia max: 1356 Nm a 1600 giri al minuto.



### Cambio

Con 6 marce avanti e 3 retromarcia.  
Scollamento assale anteriore per marcia 4 x 2.



### Trazione/Sterzo

4 x 4.

Idroguida completamente indipendente:

Anteriore: completamente idraulico azionato tramite il volante.

Posteriore: completamente idraulico azionato con interruttore.

Fornisce 4 modalità di sterzata: solo anteriore, solo posteriore, a granchio e combinata. Indicatore di allineamento delle ruote posteriori.

Raggio di sterzo: 7,5 m.



### Assali

Anteriore: Montato rigido sul telaio, trazione con differenziale e mozzini di riduzione planetaria.

Posteriore: Su culla oscillante, trazione con differenziale e mozzini di riduzione planetaria montati.



### Pneumatici

Standard 33,25 x 29 - 38 strati trasversali, Titan.



### Freni

Doppio circuito completamente idraulico agente su tutte le ruote.

Freno di stazionamento negativo ad azionamento idraulico agente sull'asse anteriore.



### Luci

Illuminazione completa compresi indicatori di direzione, luci anteriori, posteriori, freno e luci di segnalazione pericolo.



### Velocità massima

24 km/h.



### Impianto elettrico

2 batterie da 12 V. Avviamento e illuminazione a 12 V.

Interruttore di disconnessione.

### \* Equipaggiamenti opzionali

- Pacchetto di illuminazione ausiliario (comprende luci lampeggianti ambra montate in cabina, luce di lavoro montata sull'organo, e proiettori montati su braccio a base doppia.)
- Barra luminosa LMI (in cabina)
- Bloccaggio meccanico della rotazione a 360° (tipo NYC)
- Gancio del rimorchio posteriore
- Bloccaggio differenziali trasversali controllati dalla cabina (anteriore e posteriore)
- Registratore di dati PAT
- Bozzello da 130 t
- Marcatura di conformità CE
- Indicatore della velocità del vento.
- Prolunga del braccio rotante a traliccio disassabile idraulicamente.
- Terzo indicatore di avvolgimento con interruttori di sicurezza dell'organo (principale e ausiliario).



## Superestrutura



### Lança

Lança de cinco secções, potência total, 12,8 m – 48,8 m.  
Altura máxima da ponta da lança : 51,5 m.



### Extensão swingaway fixa

Extensão swingaway treliçada de dobragem dupla, 11,0 m - 18,0 m. Angulações: 0°, 20° e 40°. Pode ser arrumada ao longo da secção de base da lança. Altura máx. da cabeça da extensão: 69,2 m.



### \*Inserções swingaway treliçadas

2 extensões de 8,0 m da estrutura. Instalam-se entre a ponta da lança e a extensão bipartida, não acondicionáveis. Altura máx. da cabeça da extensão: 85,0 m.



### Elevação da lança

Um cilindro hidráulico de acção dupla com válvula anti-retorno integral assegura a elevação de -3° a +78°.



### Sistema de momento de carga e fim de curso do cadernal

“Indicador gráfico” standard do momento de carga e do sistema de fim de curso do cadernal com sistema audiovisual de sinalização e dispositivo de bloqueio automático das alavancas de comando. Estes sistemas fornecem informações, apresentadas em visor electrónico, do ângulo da lança, do comprimento, do raio, da altura da ponta da lança, do momento de carga relativo, da carga máxima admitida, da indicação de carga e aviso sobre o fim de curso do cadernal. O Sistema de Definição da Área de Trabalho standard permite ao operador seleccionar previamente e definir áreas de trabalho. Se a grua se estiver a aproximar dos limites previamente definidos, avisos audiovisuais ajudam o operador a evitar obstruções no local da obra.



### Cabine

Cabine panorâmica, integralmente feita de aço, com isolamento sonoro e vidro de segurança colorido a toda a volta. Cabine inclinável até +20 graus. O assento Deluxe integra controladores de eixo duplo, eléctricos, instalados no apoio para os braços. O painel de controlo está equipado com manómetros para todas as funções do motor. Entre as demais funcionalidades standard incluem-se: Volante inclinável, aquecedor da cabine de água quente, ventoinha de circulação do ar na cabine, janelas lateral e traseira deslizantes, vidro de tejadilho deslizante com limpa-vidros eléctrico e pala para o sol, lava e limpa pára-brisas eléctricos, extintor de incêndios e cinto de segurança. Ar condicionado.



### Rotação

Accionamento da rotação de planetários de duas velocidades com travão em banho de óleo tipo multidisco de aplicação com o pé. Travão de imobilização de mola e de libertação hidráulica. Bloqueio de rotação positiva de 360° e dispositivo de bloqueio mecânico de duas posições, ambos accionados a partir da cabina. Velocidade máxima : 2,5 rpm.



### Contrapeso

18 144 kg. Instalado e desmontado por meios hidráulicos.



### Sistema hidráulico

Seis bombas principais com uma capacidade combinada de 776 LPM. Pressão de serviço máxima: 331 bar. Dois conjuntos individuais de válvulas de pressão compensada. Filtro no circuito de retorno com protecção por derivação de débito total e indicador de manutenção. Cartucho substituível com classe de filtragem micrométrica de 5/12/16. Depósito de 1230 L. Radiador de óleo montado à distância com motor hidráulico controlado por termóstato, ventoinha/ar para óleo. Tomadas para teste de pressão do sistema.



### Guincho

Redutor de planetários com travão em banho de óleo multidiscos de mola, automático. Indicadores electrónicos da rotação do tambor de elevação e acamador de cabo no tambor de elevação.

Esforço máximo no cabo singelo:

- Primeira camada: 9 083 kg.
- Terceira camada: 7 724 kg.
- Quinta camada: 6 718 kg.

Esforço máximo admitido no cabo singelo: 7 620 kg com cabo da classe 6x37.  
7 620 kg com cabo da classe 35x7 resistente à rotação.

Velocidade máxima do cabo singelo : 171 m/min.

Tipo de Cabo: 6x37 EIPS IWRC, flexível especial. 35x7 Flex-X resistente à rotação.  
Diâmetro do Cabo: 19 mm.

Comprimento do cabo: Guincho principal : 290 m e auxiliar : 213 m.

Capacidade Máxima do Cabo : 368 m.

RT9130E

## Chassis



### Chassis do transportador

Estrutura de secção de caixa fabricado numa liga de aço altamente resistente. Coberturas de estabilizador amovíveis, engate dianteiro/traseiro e dispositivos de amarração.



### Estabilizadores

Quatro vigas de estabilização hidráulicas e telescópicas, de caixa dupla, de secção simples, com macacos invertidos e válvulas anti-retorno integrais. Três posições : 0%, 50% e totalmente estendidas. Caixas do estabilizador amovíveis para facilitar o transporte. Todos os estabilizadores de remoção rápida fabricados em aço, diâmetro de 775 mm. Carga máxima dos estabilizadores: 75 298 kg. Controlos e indicador de nível da grua localizados na cabina.



### Motor

Motor a gasóleo Cummins QSB 8,3L, de seis cilindros, de 300 CV, 224 kW (brutos) a 2 200 rpm. Binário máximo: 1 356 Nm a 1 600 rpm.



### Transmissão

Transmissão Powershift integral com 6 velocidades de marcha à frente e 3 velocidades de marcha-atrás. Desembraiagem do eixo frontal para deslocação 4 x 2.



### Tracção/direcção

4 x 4.

Direcção assistida de comando independente:

À frente : totalmente hidráulica, comandada pelo volante.

Atrás : totalmente hidráulica, comandada por interruptor.

Disponibiliza um número infinito de variações dos 4 principais modos

de direcção: só dianteira, só traseira, direcção tipo caranguejo e direcção coordenada.

Indicador de direcção traseira. Raio de viragem : 7,5 m.



### EIXOS

Dianteiros : Eixo de tracção/direcção com cubos do redutor de planetários e diferencial rigidamente montados no chassis.

Traseiros : Eixo de tracção/direcção com cubos do redutor de planetários e diferencial montados no chassis de forma articulada (pivôs).



### Pneus

Pneus standard 33,25 x 29 - 38 telas, Titan.



### Travões

Travões de circuito dividido, totalmente hidráulicos, que actuam sobre todas as rodas. Travão de estacionamento de mola e de libertação hidráulica, montada no eixo dianteiro.



### Iluminação

Conjunto completo, incluindo luzes de sinalização de mudança de direcção, faróis dianteiros, faróis traseiros, luzes de travagem e luzes de sinalização de perigo.



### Velocidade máxima

24 km/h.



### Sistema eléctrico

Dois baterias de 12 V que dispensam manutenção. Arranque e luzes de 12 V. Interruptor de desconexão da bateria.

### \* Equipamento opcional

- Conjunto de iluminação auxiliar (inclui luz intermitente âmbar montada na cabine, luz de trabalho montada no mecanismo de elevação e dois faróis de trabalho montados na base da lança).
- Barra de iluminação do LMI (na cabine).
- Bloqueio de oscilação mecânico estilo NYC de 360°.
- Gancho traseiro para corrente.
- Bloqueios do diferencial do eixo cruzado controlados na cabine (dianteiros e traseiros).
- Registador de dados PAT.
- Cadernal de 130t
- Conformidade com a Marca CE
- Indicador de velocidade do vento.
- Extensão swingaway treliçada hidráulica com dobragem dupla desviável.
- Indicador de recolha com entalhe do guindaste (principal e auxiliar).

\*Assinala o equipamento opcional

# Технические характеристики

## Крановая установка



### Стрела

Пятисекционная, полноприводная, телескопическая стрела длиной 12,8 – 48,8 м. Максимальная высота оголовка стрелы: 51,5 м.



### Фиксированный удлинитель стрелы

Складной решетчатый удлинитель стрелы длиной 11,0 / 18,0 м. Возможность установки под углом в 0°, 20° или 40°. Складывается вдоль секции основной стрелы. Максимальная высота оголовка удлинителя: 69,2 м.



### \*Решетчатые удлиняющие вставки

2 решетчатых вставки длиной 8 м. Устанавливаются между оголовком стрелы и складным удлинителем. Не складываются. Максимальная высота оголовка удлинителя стрелы: 85,0 м.



### Угол наклона стрелы

Один гидравлический цилиндр двойного действия со встроенным обратным клапаном обеспечивает подъем от -3° до +78°.



### Ограничитель грузовой нагрузки и ограничитель высоты подъема крюка

Стандартный ограничитель грузовой нагрузки с графическим дисплеем и система блокировки при переподъеме с звуковой и визуальной сигнализацией и блокировкой органов управления. Эти системы выводят на электронный дисплей угол наклона стрелы, длину, радиус, высоту оголовка стрелы, относительный грузовой момент, максимально допустимую нагрузку, текущую нагрузку и предупреждение о возможности перегруза. Стандартная система ограничения рабочей зоны позволяет оператору заранее выбрать и определить безопасные рабочие зоны. При приближении крана к установленным границам срабатывает звуковая и визуальная сигнализация предупреждения оператора.



### Кабина

Полностью стальная кабина с круговым обзором, звукоизоляцией и тонированными небьющимися стеклами по всему периметру. Наклон кабины до +20 градусов. Высококачественное сиденье оборудовано встроенными в подлокотники органами управления с одноосевым перемещением. Контрольные приборы для всех рабочих функций выведены на приборную панель. Остальные опции, включенные в стандартную поставку: обогреватель на горячей воде, вентилятор, раздвижные боковые и задние стекла, раздвижная застекленная крыша с электрическим стеклоочистителем и солнцезащитным экраном, электроомыватель и очиститель лобового стекла, огнетушитель и ремень безопасности. Воздушный кондиционер.



### Поворот

Двухскоростной привод с планетарным редуктором, охлаждаемый жидкостью тормоз системы управления педалью из кабины машиниста. Пружинный гидравлически освобождаемый тормоз механизма, фиксатор поворота, двухпозиционная блокировка поворота крановой установки, оба с управлением из кабины. Максимальная скорость: 2,5 б/мин.



### Противовес

18 144 кг. Гидравлическая система монтажа.



### Гидравлическая система

Шесть главных насосов с общей производительностью 776 л/мин. Максимальное рабочее давление: 331 бар. Две независимых группы клапанов. Фильтр возвратной магистрали с полнопоточной обходной защитой и индикатором обслуживания. Сменный картридж, минимальный размер частиц, удаляемых фильтром - 5/12/16. Бак на 1230 л. Выносной масляный радиатор с термостатом и вентилятором охлаждением с приводом от гидравлического мотора. Контрольные отверстия для проверки давления системы.



### Лебедка подъема

Планетарный редуктор с автоматическим пружинным многодисковым гидкоохлаждаемым тормозом. Желобчатый барабан. Электронные индикаторы вращения подъемного барабана и кабельные держатели.

Максимальное натяжение каната при однократной запасовке:

• 1 слой: 9 083 кг. • 3 слой: 7 724 кг. • 5 слой: 6 718 кг.

Максимально допустимое натяжение каната: 7620 кг с канатом класса 6Х37.

7620 кг с устойчивым к скручиванию канатом 35Х7

Максимальная скорость каната при однострунной оснастке: 171 м/мин.

Конструкция каната: 6Х36 с сердечником из высокопрочной стали для подъемных канатов особой гибкости, высокого качества.

35х7 Flex-X, устойчивый к скручиванию

Диаметр каната: 19 мм.

Длина каната: Лебедка основного подъема: 290 м - Лебедка вспомогательного подъема: 213 м.

Максимальная длина укладки каната: 368 м

10

## Тягач



### Шасси

Коробчатая рама выполнена из высокопрочной низколегированной стали. Съёмные кожухи выносных опор, передние/задние буксировочные и крепежные проушины.



### Выносные опоры

Четыре гидравлические телескопические одноступенчатые двухмуфтовые балочные выносные опоры с перевернутыми цилиндрами и встроенными блокирующими клапанами. 3 позиции выдвижения: 0%, 50% и на полную длину. Блоки выносных опор, съёмные, для упрощения транспортировки. Стальные, легко доступные опорные подушки диаметром 775 мм. Максимальная нагрузка на подушку выносной опоры: 75 298 кг. Органы управления и указатель уровня крана расположены в кабине.



### Двигатель

Дизельный, 6-цилиндровый двигатель Cummins QSB объемом 8,3 л, мощностью 300 л/с, 224 КВт (полная мощность) на 2 200 об/мин. Максимальный крутящий момент: 1 356 Нм при 1 600 об/мин.



### Трансмиссия

Коробка переключения передач с 6 передними и 3 задними скоростями. Отключение переднего моста для передвижения в режиме 4 х 2.



### Ведущие/управляемые колеса

4 х 4.

Полностью независимое рулевое управление с усилителем:

Передние: С полным гидравлическим усилением. Управление от рулевого колеса.

Задние: С полным гидравлическим усилением. Ручное управление с помощью переключателей.

Возможны многочисленные варианты 4 основных режимов рулевого управления: только передние, только задние, крабовый ход и согласованный режим. Индикатор заднего движения. Радиус разворота: 7,5 м.



### Оси

Передняя: Ведущая с управляемыми колесами, с дифференциальными и планетарными колесными редукторами, жестко смонтированными на раму. Задняя: Ведущая с управляемыми колесами, с дифференциальными и планетарными колесными редукторами, шарнирно закрепленными на раму.



### Шины

Станд. 33,25 х 29 - 38 с диагональным кордом, общего применения.



### Тормоза

Полностью гидравлические, раздельные на все колеса. Пружинный, гидравлически отпускаемый парковочный тормоз, закрепленный на передней оси.



### Фары

Полное освещение, включая индикаторы поворота, передние, задние, тормозные фонари и лампы аварийной сигнализации.



### Максимальная скорость

24 км/ч.



### Электросистема

Две, не требующие обслуживания, батареи на 12 В. Напряжение запуска и освещения - 12 В. Отключение батарей.

### \* Дополнительное оборудование (по выбору)

- Дополнительный пакет освещения (фонарь желтого мигающего света в кабине, фонарь на лебедке и двойные прожекторы на основной стреле).
- Световая панель ограничителя грузовой нагрузки (в кабине).
- Механический фиксатор поворота типа NYC на 360°.
- Задний поворотный буксирный крюк.
- Механизм блокировки межколесного дифференциала, (передний и задний).
- Регистратор данных РАТ.
- Крюкоблок 130т
- Соответствие нормам Евросоюза
- Индикатор скорости ветра.
- Двусторонний складной решетчатый удлинитель стрелы с гидравлическим управлением.
- Индикатор тройной обмотки с выключателем на лебедке (основной и вспомогательной).

\*Дополнительное оборудование



Axle • Achse Essieu • Eje Asse • Eixos • Оси	1	2	Total weight • Gesamtgewicht Poids total • Peso total Peso totale • Peso total Суммарный вес
	t	t	
Basic machine • Grundauführung • Configuration standard Maquina básica • Macchina base • Máquina base • Базовый кран	36,0	42,9	78,9
Remove counterweight, aux. Hoist and bifold swingaway • Gegengewicht, Hilfshubwerk und Doppelklappspitze abgebaut • Retirer le contrepoids, le treuil auxiliaire et l'extension treillis double • Retirando contrapeso, cabrestante auxiliar y plumín plegable • Rimuovere il contrappeso, l'argano ausiliario e il falcone ripiegabile • Remover o contrapeso, o guincho auxiliar e a estrutura oscilante bipartida • Без противовеса, всп. лебедки и складного удлинителя стрелы	39,6	17,9	57,5
Remove counterweight, boom, O/R boxes, aux. Hoist and bifold swingaway • Gegengewicht, Ausleger, Abstützträger, Hilfshubwerk und Doppelklappspitze abgebaut • sans contrepoids, flèche, stabilisateurs, treuil secondaire et jib • Removar contrapesos, pluma, estabilizadores, cabrestante auxiliar y plumín desplegable • Rimuovere ontrappeso, braccio, casse stabilizzatori, argano ausiliario e falcone ripiegabile • Remover contrapesos, lança, estabilizadores, guincho auxiliar e extensão desdobrável de lança • Демонтаж противовеса, основная стрела, коробки выносных опор, лебедка вспомогательного подъема, складной удлинитель стрелы	11,9	16,6	32,8

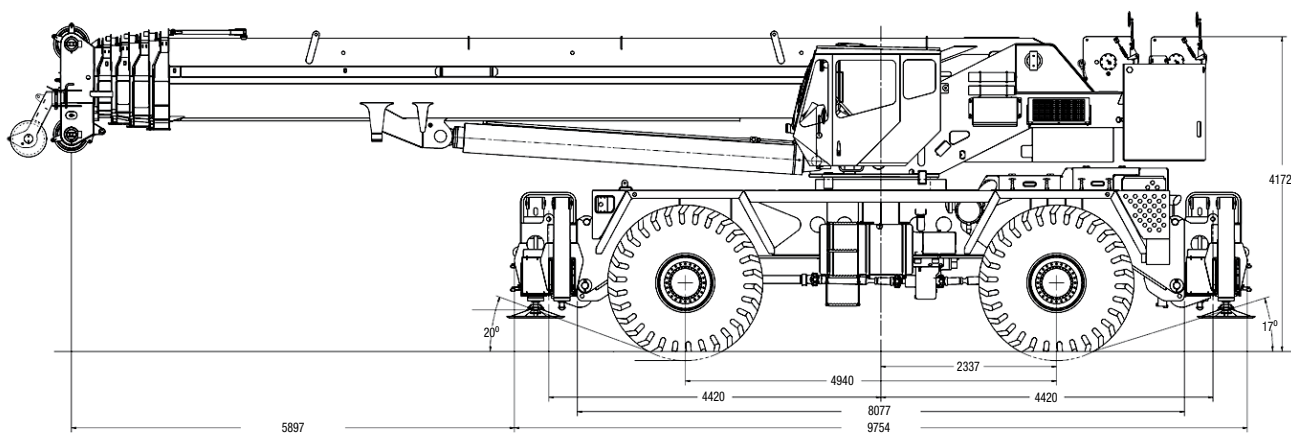
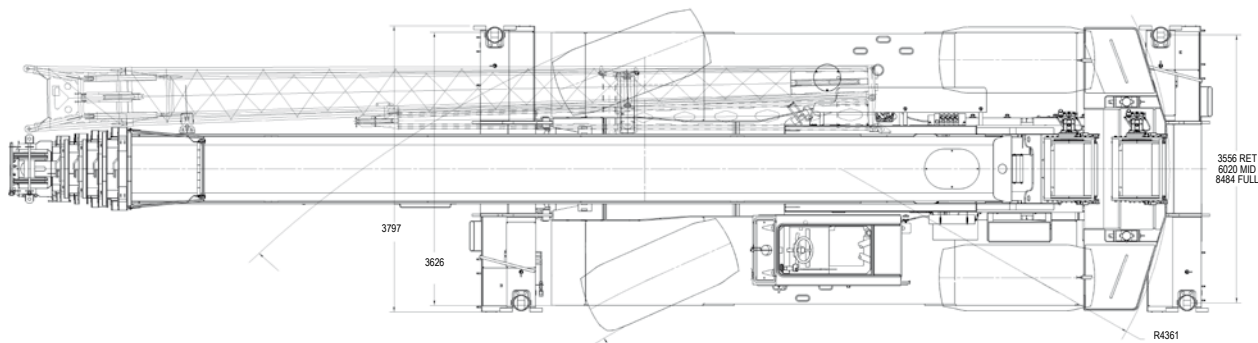


Lifting Capacity Traglast Force de levage Capacidad de elevación Capacità di sollevamento Capacidade de elevação Грузоподъемность	Sheaves Rollen Poulies Poleas Carrucole Roldanas Шкивы	Parts of line Stränge Brins Ramales de cable Numero di funi Partes de cabo Кратность запасовки	Total weight Gesamtgewicht Poids total Peso total Peso totale Peso total Суммарный вес
120 t	8	2 to 6	1089 kg
9 t	H/B (swivel)	1	308 kg



	Infinitely variable Stufenlos Progressivement variable Infinitamente variable Infinitamente variabile Infinitamente variável Плавно-изменяемый	Rope Seil Câble Cable Fune Cabo Канат	Permissible line pull max. Max. Seilzug Effort maxi au brin Tracciones del cable admisibles Trazioni ammissibili della linea Esforços admitidos nos cables Максимально допустимое натяжение каната	Nominal cable length Seillänge (Nennwert) Longueur nominale des cables Longitud nominal del cable Lunghezza nominale cavo Comprimento nominal de cabo Номинальная длина каната
	0 - 171 m/min single line / bei einfachem Strang brin simple / ramal simple tiro a fune singola / cabo singelo Однократная запасовка	19 mm (18x19 class)	5 878 kg	290 m
	0 - 171 m/min single line / bei einfachem Strang brin simple / ramal simple tiro a fune singola / cabo singelo Однократная запасовка	19 mm (6x37 class)	7 620 kg	290 m
	0 - 2,5 min <sup>-1</sup>			
	20° 70° approx. 55 s ca. 55 s • env. 55 s aproximadamente 55 s circa 55 s • cerca de 55 s примерно 55 с			
	12,8 to 48,8 m approx. 232 s ca. 232 s • env. 232 s aproximadamente 232 s circa 232 s • cerca de 232 s примерно 232 с			

Dimensions • Abmessungen • Encombrement • Dimensiones  
 • Dimensioni • Dimensões • Размеры



Note: Reference dimensions in mm • Hinweis: Bezugsmaße in mm • Remarque : cotes de référence en mm •  
 Nota: Dimensiones de referencia en mm • Nota: Dimensioni di riferimento in mm • Nota: Dimensões de referência em mm •  
 Примечание: Справочные размеры (в мм)

# Load charts • Traglasten • Capacités de levage • Capacidades de carga • Diagramas de carga • Таблицы грузоподъемности

## Notes • Hinweise • Notes • Notas • Note • Notas • Примечания

### Lifting capacities according to DIN/ISO • 85%

**Warning: THIS CHART IS ONLY A GUIDE. The Notes below are for illustration only and should not be relied upon to operate the crane. The individual crane's load chart, operating instructions and other instruction plates must be read and understood prior to operating the crane.**

DIN/ISO: The mechanical strength complies with DIN 15018, part 3. Tipping conditions are governed by DIN 15019, part 2 and ISO 4305 standards. They also take into account the requirements of prEN 13000: 2003 and therefore comply with the requirements of the EU machinery directive.

85%: Capacities are in accordance with SAE J1063 and do not exceed 85% of the tipping load (SAE J1289 for outriggers 50% and 0% extended) as determined by SAE J765.

1. Capacities given do not include the weight of hookblocks, slings, auxiliary lifting equipment and load handling devices. Their weights MUST be added to the load to be lifted. When more than minimum required reeving is used, the additional rope weight shall be considered part of the load.
2. All capacities are for crane on firm, level surface. It may be necessary to have structural supports under the outrigger floats or tyres to spread the load to a larger bearing surface.
3. When either boom length or radius or both are between values listed, the smallest load shown at either the next larger radius or boom length shall be used.
4. For outrigger operation, ALL outriggers shall be fully extended with tyres raised free of ground before raising the boom or lifting loads.
5. Tyres shall be inflated to the recommended pressure before lifting on rubber.

### Traglasten entsprechen DIN/ISO • 85%

**WARNUNG: DIESE TABELLE IST LEDIGLICHE EINE RICHTLINIE. Die Hinweise dienen als Erklärung und sind für die Kranbedienung nicht maßgebend. Vor Inbetriebnahme des Kranes sind Traglasttabellen, Bedienungsanleitung und andere Vorschriften eingehend zu studieren.**

DIN/ISO: Der Festigkeitsberechnung liegen die DIN 15018 Teil 3 zugrunde. Die Traglasten im Standsicherheitsbereich entsprechen DIN 15019 Teil 2 und ISO 4305. Sie berücksichtigen außerdem die Forderungen von prEN 13000: 2003 und entsprechen damit den Anforderungen der Maschinenrichtlinie.

85%: Tragkraftwerte entsprechen SAE J1063 und überschreiten nicht 85 % der Kippplast (SAE J1289 bei halb- bzw. ganz ausgefahrener Abstützung) gemäß Richtlinie SAE J 765.

1. Das Gewicht der Hakenflaschen und aller Anschlagmittel muß zu der Last hinzugerechnet werden. Beim Einscheren mit erhöhten Werten ist das zusätzliche Seilgewicht als Teil der Last zu betrachten.
2. Alle Werte gelten für den Kran auf festem, ebenem Untergrund. Eventuell müssen die Stützteller oder Reifen unterlegt werden, um die Last über eine größere Abstützfläche zu verteilen.
3. Wenn Auslegerlänge oder Radius oder beide Werte zwischen den aufgeführten Werten liegen, ist die geringere der Traglasten zu wählen, die für den die nächstgrößere Ausladung oder die nächste bzw. anschließende Auslegerlänge genannt sind.
4. In abgestütztem Zustand müssen ALLE Stützen komplette ausgefahren sein. Die Reifen dürfen den Boden nicht berühren. Erst danach dürfen Lasten oder der Ausleger angehoben werden.
5. Bevor frei auf Rädern gearbeitet wird, müssen, die Reifen mit dem vorschrittsmäßigen Druck aufgefüllt werden.

### Capacités de levage selon DIN/ISO • 85%

**ATTENTION: CE TABLEAU N'EST QU'UN GUIDE. Les notes ci-dessous sont données à titre d'exemple et ne devront pas être utilisées pour faire fonctionner la grue. Toute la documentation concernant chaque type de grue: tableau des charges, instructions de fonctionnement et toutes autres plaques d'instructions devront être lues et comprises avant de manoeuvrer la grue.**

DIN/ISO: Les limites du basculement sont conformes à la norme DIN 15019 section 2 et ISO 4305. Elles tiennent également compte des paramètres établis pour le projet de norme Européenne prEN 13000: 2003 et de ce fait satisfont les exigences de la Directive Européenne Machines.

85%: Les capacités de levage sont conformes à la norme SAE J1063 et ne dépassent pas 85% de la charge de basculement (SAE J1289 pour les poutres de calage déployées à 50% et 0%) tel que cela est prescrit par la norme SAE J765.

1. Les charges mentionnées dans les tableaux ne comprennent pas le poids des moufles, des élingues et autres accessoires de levage qui doit être additionné à celui de la charge levée. Lorsque le mouflage est supérieur au minimum requis le poids de l'excédent de câble doit être additionné à celui de la charge.
2. Les capacités sont données sur sol ferme et de niveau. Il peut être nécessaire d'utiliser des bastingins ou des accessoires similaires afin de répartir la charge transmise au sol par les roues ou les patins de calage.
3. Lorsque la longueur de flèche ou la portée ne correspond pas aux valeurs mentionnées dans les tableaux, il convient de se référer à la valeur inférieure mentionnée pour la portée ou la longueur de flèche immédiatement supérieure.
4. Pour utilisation machine calée, les poutres de calage doivent être totalement télescopées et les roues décollées du sol avant de relever la flèche ou de lever des charges.
5. Les pneumatiques devront être gonflés aux pressions préconisées avant tout levage en libre.

### Capacidades de elevación de acuerdo con DIN/ISO • 85%

**AVISO: ESTA TABLA ES SOLO UNA ORIENTACION. Las notas que aparecen al final de la misma solo sirven de ilustración y no deben ser tomadas como instrucciones para operar la grúa. La tabla de cargas, las instrucciones de operación y otras placas ilustrativas de cada grúa deben ser leídas y correctamente interpretadas antes de operar la grúa.**

DIN/ISO: Los análisis de resistencia están basados en las normas DIN 15018. Apartados 3. Las condiciones de vuelco están reguladas por las normas DIN 15019 apartado 2 y ISO 4305. Tienen también cuenta de las exigencias establecidas por prEN 13000: 2003 y así cumplen con los requerimientos de las Directivas de Maquinaria UE.

85%: Capacidades de acuerdo con las Normas SAE J1063 y no exceden del 85% del momento de vuelco (Normas SAE J1289 para las cargas sobre estabilizadores extendidos al 50% o sin extender 0%) como fijan las normas SAE J765.

1. Las cargas indicadas no incluyen el peso de los ganchos, eslingas, equipos auxiliares y aparejos de elevación. Sus pesos DEBEN ser añadidos al de la carga a elevar. Cuando se utilice un número de ramales de cable superior al necesario, el peso adicional del cable debe ser considerado como parte de la carga.
2. Todas las capacidades corresponden a la grúa situada sobre terreno firme nivelado y uniforme. La naturaleza del terreno puede hacer necesario colocar, bajo los apoyos de los estabilizadores o bajo los neumáticos, elementos estructurales que repartan la carga sobre una mayor superficie de apoyo.
3. Cuando se trabaje con longitudes de pluma o radios, intermedios entre los valores reflejados en las tablas, se considerará la carga inmediata inferior indicada en el radio o longitud de pluma inmediato superior.
4. Para trabajos sobre estabilizadores, TODOS los estabilizadores estarán totalmente extendidos y los neumáticos sin tocar el suelo antes de elevar pluma o izar cargas.
5. Los neumáticos deberán estar inflados a la presión recomendada antes de elevar cargas sobre neumáticos.

### Capacità di sollevamento in accordo con DIN/ISO • 85%

**ATTENZIONE: QUESTA TABELLA E' SOLO UNA GUIDA. Le note qui sotto riportate sono date a titolo d'esempio e non devono essere utilizzate per far funzionare la grua.**

**La tabella di carico, le istruzioni d'uso ed ogni altro foglio illustrativo devono essere letti e compresi prima di manovrare la grua.**

DIN/ISO: il calcolo di resistenza è basato sulle norme DIN 15018, parte 3. Le condizioni di ribaltamento sono regolate dalle norme DIN 15019 parte 2 e ISO 4305. Esse tengono conto anche dei parametri stabiliti da prEN 13000: 2003 e quindi soddisfanno le richieste della Direttiva Macchine Europea.

85%: Le capacità di sollevamento sono conformi alla norma SAE J1063 e non superano l'85% del carico di ribaltamento (SAE J1289 per gli stabilizzatori estesi al 50% e 0%) come prescritto dalla norma SAE J765.

1. I carichi indicati nelle tavole non comprendono il peso dei ganci, dei tiranti, e di nessun altro accessorio di sollevamento che deve essere aggiunto a quello del carico sollevato. Quando il numero di funi è superiore al minimo richiesto il peso addizionale della fune deve essere aggiunto a quello del carico.
2. Tutte le capacità si intendono per la grua situata su un terreno compatto livellato e uniforme. Potrebbe rendersi necessario utilizzare dei supporti strutturali, sotto gli appoggi degli stabilizzatori o sotto i pneumatici, per ripartire il carico su una superficie di appoggio maggiore.
3. Quando la lunghezza del braccio o la portata non corrispondono ai valori riportati nelle tabelle, conviene considerare il valore inferiore riportato per il raggio di lavoro o la lunghezza del braccio immediatamente superiore.
4. Per lavoro su stabilizzatori, TUTTI gli stabilizzatori devono essere completamente estesi e i pneumatici staccati da terra prima di rialzare il braccio o di sollevare carichi.
5. I pneumatici devono essere gonfiati alla pressione raccomandata prima di sollevare carichi sopra i pneumatici.

### Capacidade de elevação de acordo com as normas DIN/ISO • 85%

**Atenção: ESTE QUADRO SERVE APENAS DE GUIA. As notas abaixo são dadas a mero título exemplificativo e não deverão ser utilizadas para operar a grua. Toda a documentação e instruções relativas a cada tipo de grua, nas quais se incluem o diagrama de carga da grua, as respectivas instruções de operação e outras placas com instruções, têm de ser lidas e compreendidas antes de a grua ser operada.**

DIN/ISO: A resistência mecânica está em conformidade com o disposto na Parte 3 da norma DIN 15018. Os limites de basculamento são os impostos pela Parte 2 da norma DIN 15019 e pela norma ISO 4305. Além disso, também satisfazem os requisitos da norma europeia prEN 13000: 2003, estando assim em conformidade com as disposições da diretiva comunitária sobre máquinas.

85%: As capacidades estão em conformidade com as disposições da norma SAE J1063 e não ultrapassam 85% da carga de basculamento (norma SAE J1289 para estabilizadores estendidos 50% e 0%), conforme estipulado na norma SAE J765.

1. As capacidades indicadas não incluem o peso de cadernais, eslingas, equipamento auxiliar de elevação e dispositivos de manuseamento de cargas. Os seus pesos TÊM de ser adicionados ao peso da carga a ser elevada. Sempre que for utilizada uma quantidade de talhas superior à mínima exigida, o peso adicional dos cabos deverá ser considerado parte da carga, devendo ser adicionado ao seu peso.
2. Todas as capacidades são indicadas para uma grua sobre uma superfície firme e nivelada. Pode ser necessário colocar suportes estruturais por baixo dos pneus ou das sapatas dos estabilizadores, para espalhar a carga por uma superfície de suporte maior.
3. Sempre que o comprimento da lança, o seu raio, ou ambos estiverem compreendidos entre os valores indicados, deve ser utilizada a carga mais baixa indicada para o raio ou para o comprimento de lança imediatamente superior.
4. Operação com estabilizadores: Antes de a lança ser erguida ou de serem elevadas cargas, TODOS os estabilizadores têm de estar totalmente estendidos, com os pneus erguidos de modo a não estarem em contacto com o solo.
5. Antes de serem elevadas cargas sobre os pneus, eles devem ser enchidos às pressões recomendadas.

### Грузоподъемность соответствует стандарту DIN/ISO • 85%

**Внимание: ДАННАЯ СХЕМА ПРИВЕДЕНА ИСКЛЮЧИТЕЛЬНО В ОЗНАКОМИТЕЛЬНЫХ ЦЕЛЯХ. Нижеприведенные данные являются лишь пояснительными, на них не следует полагаться при работе с краном. Перед работой на кране следует прочесть и понять таблицы грузоподъемности, инструкции по эксплуатации, а также инструктирующие таблички.**

DIN/ISO: Механическая прочность удовлетворяет стандарту DIN 15018, часть 3. Условия устойчивости определяются стандартами DIN 15019, часть 2 и ISO 4305. Также учитываются требования стандарта prEN 13000: 2003, а, следовательно, требования, приведенные в Европейских указаниях по охране труда в машиностроении.

85%: Нагрузка соответствует стандарту SAE J1063 и не превышает 85% от удерживающего момента (SAE J1289 для выносных опор, выдвигаемых на 50% и на 0%) в соответствии с SAE J765.

1. Указанная нагрузка не учитывает вес крюковых блоков, канатов, вспомогательного подъемного оборудования и погрузочно/разгрузочных устройств. Их вес СЛЕДУЕТ прибавлять к массе груза. При превышении минимально необходимой запаски канатаследует учитывать его дополнительный вес.
2. Все нагрузки указаны для крана, находящегося на прочной плоской поверхности. С целью распределения нагрузки, под выносные опоры или под колеса можно подложить поддерживающие конструкции для увеличения площади опоры.
3. Если длина стрелы, вылет (или и то и другое) находятся между указанными значениями в таблице, следует брать наименьшую нагрузку, указанную за следующим значением радиуса или длины стрелы.
4. Перед подъемом стрелы или грузов (при использовании выносных опор) следует выдвинуть ВСЕ выносные опоры на полную длину, чтобы колеса оказались над землей.
5. При подъеме с колес, шины должны быть накачаны до рекомендуемого давления.

# Load charts • Traglasten • Capacités de levage • Capacidades Caracità • Diagramas de carga • Таблицы грузоподъемности

Working range • Arbeitsbereiche • Diagramme de levage • Gama de trabajo • Area di lavoro  
Intervalo de funcionamento • Грузовысотные характеристики



12,8 – 48,8 m



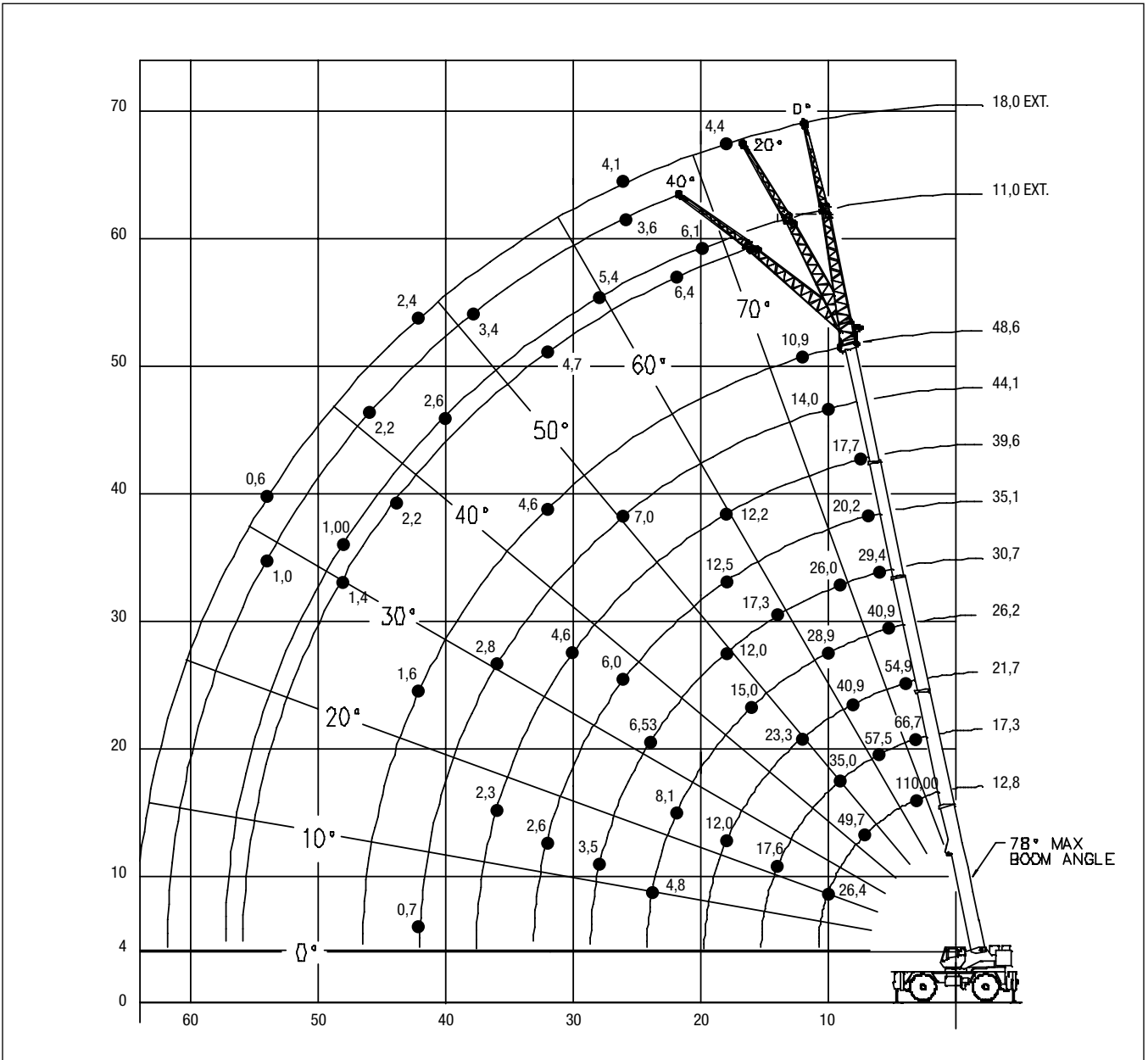
100 %



360°



18,1 t



	H (mm) (t)
	3353

# Load charts • Traglasten • Capacités de levage • Capacidades Caracità • Diagramas de carga • Таблицы грузоподъемности

Telescopic boom • Teleskopausleger • Flèche principale • Pluma telescópica • Braccio telescopico  
Lança telescópica • Телескопическая стрела



12,8 - 48,8 m



100 %



360°



18,1 t



DIN/ISO

m	12,8	17,3	21,7	26,2	30,7	35,1	39,6	44,1	48,8
3,0	110,000	66,675	-	-	-	-	-	-	-
3,5	104,500	66,675	-	-	-	-	-	-	-
4,0	92,900	66,675	54,900	-	-	-	-	-	-
4,5	81,525	66,675	54,200	-	-	-	-	-	-
5,0	72,975	63,925	53,500	40,900	-	-	-	-	-
6,0	59,200	57,525	52,175	39,425	29,450	-	-	-	-
7,0	49,700	48,850	46,950	37,200	28,725	20,225	-	-	-
8,0	41,825	41,025	40,925	34,600	27,750	20,225	-	-	-
9,0	35,750	35,000	34,900	31,500	26,000	20,225	17,750	-	-
10,0	26,400	30,475	30,375	28,925	24,025	20,225	17,400	14,000	-
12,0	-	23,400	23,350	23,475	20,300	18,950	16,675	13,525	10,950
14,0	-	17,600	18,450	18,650	17,300	16,625	15,250	13,050	10,625
16,0	-	-	14,825	15,050	14,675	14,375	13,725	12,475	10,150
18,0	-	-	11,975	12,200	12,075	12,475	12,175	11,375	9,780
20,0	-	-	-	9,980	9,865	10,625	10,675	10,275	9,380
22,0	-	-	-	8,155	8,050	8,900	9,330	9,090	8,370
24,0	-	-	-	4,815	6,530	7,395	7,930	7,970	7,340
26,0	-	-	-	-	5,230	6,095	6,750	6,985	6,450
28,0	-	-	-	-	3,475	4,875	5,660	6,025	5,780
30,0	-	-	-	-	-	3,845	4,620	5,120	5,275
32,0	-	-	-	-	-	2,585	3,730	4,235	4,630
34,0	-	-	-	-	-	-	2,955	3,455	3,935
36,0	-	-	-	-	-	-	2,280	2,775	3,260
38,0	-	-	-	-	-	-	-	2,175	2,655
40,0	-	-	-	-	-	-	-	1,645	2,120
42,0	-	-	-	-	-	-	-	0,690	1,640

AG-829-10217



85 %

m	12,8	17,3	21,7	26,2	30,7	35,1	39,6	44,1	48,8
3,0	120,000	66,675	-	-	-	-	-	-	-
3,5	105,750	66,675	-	-	-	-	-	-	-
4,0	92,900	66,675	57,600	-	-	-	-	-	-
4,5	81,525	66,675	57,600	-	-	-	-	-	-
5,0	72,975	63,925	56,125	42,000	-	-	-	-	-
6,0	59,200	57,525	52,700	39,425	29,475	-	-	-	-
7,0	49,700	48,850	46,950	37,200	28,850	20,225	-	-	-
8,0	41,825	41,025	40,925	34,600	27,750	20,225	-	-	-
9,0	35,750	35,000	34,900	31,500	26,000	20,225	19,575	-	-
10,0	26,400	30,475	30,375	28,925	24,025	20,225	19,325	14,750	-
12,0	-	23,400	23,350	23,475	20,300	18,950	17,475	14,750	11,375
14,0	-	17,600	18,450	18,650	17,300	16,625	15,250	14,500	11,200
16,0	-	-	14,825	15,050	14,675	14,375	13,725	12,750	11,000
18,0	-	-	11,975	12,200	12,075	12,475	12,175	11,375	10,575
20,0	-	-	-	9,980	9,865	10,625	10,675	10,275	9,460
22,0	-	-	-	8,155	8,050	8,900	9,330	9,090	8,370
24,0	-	-	-	4,815	6,530	7,395	7,930	7,970	7,340
26,0	-	-	-	-	5,230	6,095	6,750	6,985	6,450
28,0	-	-	-	-	3,475	5,020	5,660	6,025	5,780
30,0	-	-	-	-	-	4,065	4,720	5,165	5,275
32,0	-	-	-	-	-	2,585	3,915	4,415	4,630
34,0	-	-	-	-	-	-	3,165	3,680	3,960
36,0	-	-	-	-	-	-	2,510	3,035	3,415
38,0	-	-	-	-	-	-	-	2,455	2,870
40,0	-	-	-	-	-	-	-	1,800	2,335
42,0	-	-	-	-	-	-	-	0,690	1,865

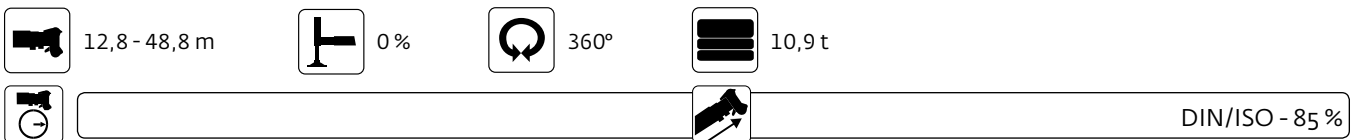
AG-829-10216

# Load charts • Traglasten • Capacités de levage • Capacidades Capacità • Diagramas de carga • Таблицы грузоподъемности

Telescopic boom • Teleskopausleger • Flèche principale • Pluma telescópica • Braccio telescopico  
Lança telescópica • Телескопическая стрела



m	12,8	17,3	21,7	26,2	30,7	35,1	39,6	44,1	48,8
3,0	109,500	66,675	-	-	-	-	-	-	-
3,5	100,750	66,675	-	-	-	-	-	-	-
4,0	91,025	66,675	57,600	-	-	-	-	-	-
4,5	81,100	66,675	57,600	-	-	-	-	-	-
5,0	72,975	63,925	56,125	41,225	-	-	-	-	-
6,0	59,200	56,825	51,675	39,425	29,475	-	-	-	-
7,0	49,700	44,925	41,250	37,200	28,850	20,225	-	-	-
8,0	39,650	36,700	33,875	31,950	27,750	20,225	-	-	-
9,0	31,975	30,625	28,425	26,925	25,225	20,225	19,575	-	-
10,0	26,400	25,075	24,200	23,025	21,600	20,225	19,325	14,750	-
12,0	-	17,675	17,450	17,300	16,250	16,475	16,525	14,750	11,375
14,0	-	12,975	12,700	13,225	12,500	12,900	13,075	13,175	11,200
16,0	-	-	9,440	9,865	9,740	10,200	10,500	10,675	10,750
18,0	-	-	7,040	7,380	7,365	8,110	8,495	8,725	8,865
20,0	-	-	-	5,475	5,445	6,210	6,885	7,155	7,340
22,0	-	-	-	3,975	3,930	4,685	5,405	5,870	6,085
24,0	-	-	-	2,760	2,705	3,450	4,165	4,665	5,030
26,0	-	-	-	-	1,695	2,430	3,140	3,640	4,115
28,0	-	-	-	-	0,840	1,570	2,275	2,770	3,255
30,0	-	-	-	-	-	0,840	1,540	2,030	2,510
32,0	-	-	-	-	-	-	0,905	1,395	1,865
34,0	-	-	-	-	-	-	-	0,835	1,305
36,0	-	-	-	-	-	-	-	-	0,815







m	12,8	17,3	21,7	26,2	30,7	35,1	39,6	44,1	48,8
3,0	64,150	53,475	-	-	-	-	-	-	-
3,5	51,750	43,800	-	-	-	-	-	-	-
4,0	43,000	36,725	32,625	-	-	-	-	-	-
4,5	36,425	31,350	28,050	-	-	-	-	-	-
5,0	31,325	27,100	24,375	22,450	-	-	-	-	-
6,0	24,000	20,850	18,850	17,500	15,975	-	-	-	-
7,0	18,775	16,375	14,900	13,925	12,700	12,775	-	-	-
8,0	14,475	13,075	11,925	11,200	10,200	10,425	-	-	-
9,0	11,350	10,525	9,575	9,055	8,200	8,550	8,720	-	-
10,0	9,005	8,390	7,690	7,305	6,580	7,010	7,255	7,385	-
12,0	-	5,055	4,705	4,625	4,090	4,640	4,985	5,210	5,345
14,0	-	2,805	2,620	2,695	2,250	2,885	3,315	3,600	3,790
16,0	-	-	1,120	1,240	0,850	1,530	2,015	2,350	2,585
18,0	-	-	-	-	-	-	0,970	1,345	1,620
20,0	-	-	-	-	-	-	-	0,515	0,820



# Load charts • Traglasten • Capacités de levage • Capacidades Caracità • Diagramas de carga • Таблицы грузоподъемности

Telescopic boom • Teleskopausleger • Flèche principale • Pluma telescópica • Braccio telescopico  
Lança telescópica • Телескопическая стрела

 12,8 - 26,2 m  0 km/h  360°  10,9 t

  DIN/ISO





m	12,8	17,3	21,7	26,2
3,0	28,000	-	-	-
3,5	28,000	-	-	-
4,0	25,600	-	-	-
4,5	22,600	-	-	-
5,0	20,075	15,675	-	-
6,0	15,950	15,425	10,300	8,255
7,0	11,800	11,625	10,300	8,255
8,0	8,910	8,840	7,880	7,850
9,0	6,760	6,700	5,690	6,130
10,0	5,105	5,005	4,100	4,720
12,0	-	2,495	1,935	2,560

AG-829-102260

  85 %

m	12,8	17,3	21,7	26,2
3,0	28,000	-	-	-
3,5	28,000	-	-	-
4,0	25,600	-	-	-
4,5	22,600	-	-	-
5,0	20,075	15,675	-	-
6,0	16,075	15,675	10,300	8,255
7,0	13,050	13,075	10,300	8,255
8,0	10,650	10,375	9,420	7,860
9,0	8,355	8,025	7,235	6,940
10,0	6,470	6,130	5,435	5,615
12,0	-	2,990	2,935	2,975

AG-829-102258

 12,8 - 26,2 m  4 km/h  0°  18,1 t

  DIN/ISO - 85 %

m	12,8	17,3	21,7	26,2
3,0	28,000	-	-	-
3,5	28,000	-	-	-
4,0	25,600	-	-	-
4,5	22,675	15,675	-	-
5,0	20,300	15,675	-	-
6,0	16,150	15,675	-	-
7,0	15,750	15,675	-	-
8,0	15,125	14,925	-	-
9,0	13,475	13,050	12,000	-
10,0	11,700	11,200	11,275	-
12,0	-	8,295	8,320	8,985
14,0	-	6,090	6,055	6,600
16,0	-	-	4,280	4,710
18,0	-	-	2,850	3,190
20,0	-	-	-	1,940
22,0	-	-	-	0,900

AG-829-102263

# Load charts • Traglasten • Capacités de levage • Capacidades Capacità • Diagramas de carga • Таблицы грузоподъемности

Swingaway • Klappspitze • Extension treillis • Plumín • Falcone • Swingaway • Складной удлинитель стрелы



12,8 - 48,8 m



11,0 - 33,8 m



100 %



360°



18,1 t



DIN / ISO

m	11,0 m			18,0 m		
	0°	20°	40°	0°	20°	40°
14,0	6,520	-	-	-	-	-
16,0	6,380	-	-	4,360	-	-
18,0	6,240	6,425	-	4,360	-	-
20,0	6,105	6,285	6,560	4,295	-	-
22,0	5,970	6,150	6,430	4,235	4,375	-
24,0	5,830	6,015	6,175	4,170	4,290	-
26,0	5,640	5,830	5,810	4,110	4,190	3,635
28,0	5,445	5,500	5,460	4,045	4,090	3,580
30,0	4,980	5,155	5,150	3,960	4,000	3,530
32,0	4,405	4,650	4,735	3,855	3,910	3,485
34,0	3,870	4,105	4,270	3,750	3,830	3,445
36,0	3,405	3,625	3,775	3,470	3,655	3,410
38,0	2,985	3,195	3,330	3,065	3,355	3,380
40,0	2,600	2,795	2,915	2,690	3,020	3,195
42,0	2,170	2,435	2,540	2,355	2,665	2,865
44,0	1,745	2,070	2,195	2,050	2,340	2,535
46,0	1,355	1,645	1,805	1,770	2,035	2,210
48,0	1,005	1,260	1,410	1,500	1,765	1,915
50,0	0,685	0,910	-	1,160	1,505	1,630
52,0	-	0,585	-	0,845	1,245	1,355
54,0	-	-	-	0,555	0,925	1,000
56,0	-	-	-	-	0,625	-

AG-829-102241

m	25,9 m			33,8 m		
	0°	20°	40°	0°	20°	40°
18,0	2,870	-	-	-	-	-
20,0	2,870	-	-	-	-	-
22,0	2,820	-	-	1,540	-	-
24,0	2,770	2,995	-	1,540	-	-
26,0	2,720	2,945	-	1,535	-	-
28,0	2,670	2,895	2,900	1,495	1,655	-
30,0	2,620	2,845	2,900	1,455	1,610	-
32,0	2,560	2,780	2,900	1,415	1,570	1,705
34,0	2,500	2,720	2,890	1,375	1,530	1,675
36,0	2,440	2,660	2,840	1,335	1,485	1,650
38,0	2,380	2,600	2,705	1,300	1,445	1,620
40,0	2,315	2,540	2,550	1,260	1,405	1,595
42,0	2,095	2,410	2,405	1,210	1,360	1,565
44,0	1,795	2,135	2,240	1,160	1,320	1,540
46,0	1,515	1,835	2,055	1,110	1,280	1,510
48,0	1,265	1,565	1,770	1,025	1,235	1,480
50,0	1,035	1,315	1,495	0,800	1,125	1,305
52,0	0,815	1,075	1,235	-	0,890	1,095
54,0	0,620	0,860	1,000	-	-	0,865
56,0	-	0,660	0,775	-	-	-

AG-829-102250

# Load charts • Traglasten • Capacités de levage • Capacidades Caracità • Diagramas de carga • Таблицы грузоподъемности

Swingaway • Klappspitze • Extension treillis • Plumín • Falcone • Swingaway • Складной удлинитель стрелы



12,8 - 48,8 m



11,0 - 33,8 m



100 %



360°



18,1 t



85 %

m	11,0 m			18,0 m		
	0°	20°	40°	0°	20°	40°
14,0	7,255	-	-	-	-	-
16,0	7,235	-	-	4,580	-	-
18,0	7,190	7,120	-	4,580	-	-
20,0	7,160	7,080	6,865	4,580	-	-
22,0	6,985	6,665	6,560	4,580	4,555	-
24,0	6,525	6,245	6,175	4,580	4,555	-
26,0	6,080	5,855	5,810	4,580	4,550	3,895
28,0	5,620	5,500	5,460	4,580	4,445	3,835
30,0	4,980	5,155	5,150	4,460	4,315	3,780
32,0	4,405	4,650	4,735	4,210	4,105	3,730
34,0	3,870	4,105	4,270	3,910	3,870	3,660
36,0	3,405	3,625	3,775	3,470	3,655	3,530
38,0	2,985	3,195	3,330	3,065	3,355	3,385
40,0	2,600	2,795	2,915	2,690	3,020	3,195
42,0	2,260	2,435	2,540	2,355	2,665	2,865
44,0	1,930	2,110	2,195	2,050	2,340	2,535
46,0	1,605	1,795	1,865	1,770	2,035	2,210
48,0	1,260	1,460	1,500	1,515	1,765	1,915
50,0	0,940	1,125	-	1,265	1,505	1,630
52,0	0,600	0,600	-	1,015	1,260	1,365
54,0	-	-	-	0,745	1,015	1,115
56,0	-	-	-	-	0,745	-

AG-829-102240

m	25,9 m			33,8 m		
	0°	20°	40°	0°	20°	40°
18,0	3,205	-	-	-	-	-
20,0	3,205	-	-	-	-	-
22,0	3,205	-	-	1,995	-	-
24,0	3,205	2,995	-	1,995	-	-
26,0	3,205	2,995	-	1,995	-	-
28,0	3,205	2,995	2,900	1,995	1,915	-
30,0	3,205	2,995	2,900	1,995	1,915	-
32,0	3,205	2,995	2,900	1,995	1,915	1,810
34,0	3,160	2,985	2,890	1,995	1,915	1,810
36,0	2,960	2,950	2,840	1,995	1,915	1,810
38,0	2,705	2,805	2,705	1,995	1,915	1,810
40,0	2,420	2,615	2,550	1,960	1,915	1,810
42,0	2,095	2,410	2,405	1,790	1,890	1,810
44,0	1,795	2,135	2,240	1,545	1,775	1,725
46,0	1,515	1,835	2,055	1,270	1,600	1,600
48,0	1,265	1,565	1,770	1,025	1,360	1,480
50,0	1,035	1,315	1,495	0,800	1,125	1,305
52,0	0,815	1,075	1,235	-	0,890	1,095
54,0	0,620	0,860	1,000	-	-	0,865
56,0	-	0,660	0,775	-	-	-

AG-829-102247

# Load charts • Traglasten • Capacités de levage • Capacidades Capacità • Diagramas de carga • Таблицы грузоподъемности

Swingaway • Klappspitze • Extension treillis • Plumín • Falcone • Swingaway • Складной удлинитель стрелы



12,8 - 48,8 m



11,0 - 18,0 m



50 %



360°



18,1 t



DIN/ISO - 85 %

m	11,0 m			18,0 m		
	0°	20°	40°	0°	20°	40°
14,0	6,520	-	-	-	-	-
16,0	6,380	-	-	4,360	-	-
18,0	6,240	6,425	-	4,360	-	-
20,0	6,105	6,285	6,560	4,295	-	-
22,0	5,970	6,150	6,430	4,235	4,375	-
24,0	5,025	5,740	6,175	4,170	4,290	-
26,0	4,180	4,830	5,365	4,110	4,190	3,635
28,0	3,455	4,045	4,505	3,750	4,090	3,580
30,0	2,820	3,355	3,720	3,125	4,000	3,530
32,0	2,265	2,750	3,035	2,580	3,385	3,485
34,0	1,775	2,215	2,445	2,095	2,835	3,445
36,0	1,335	1,735	1,925	1,660	2,340	2,890
38,0	0,920	1,300	1,465	1,270	1,895	2,390
40,0	0,545	0,900	1,050	0,915	1,490	1,930
42,0	-	0,510	0,685	0,595	1,120	1,510
44,0	-	-	-	-	0,785	1,125
46,0	-	-	-	-	-	0,770

AG-829-1-1022-02A

# Load charts • Traglasten • Capacités de levage • Capacidades Capacità • Diagramas de carga • Таблицы грузоподъемности

Weight reductions • Gewichtsreduzierung durch Lastaufnahmemittel • Reductions de charge  
Reducciones de peso • Riduzioni di peso • Reduções de peso • Снижение веса

Auxiliary boom nose / Zusatz-Auslegerkopf / Tête de flèche auxiliaire / Cabeza auxiliar / Falconcino ausiliario in testa al braccio / Cabeçote da lança auxiliar / Вспомогательный оголовок стрелы	54 kg
Hookblocks / Hakenflaschen / Moufles / Ganchos / Ganci / Cadernais / Крюковой блок	
118 tonne 8 sheave / Seilrollen / Réas / Poleas / Carrucole / Roldanas / блок	1 089 kg
73 tonne 5 sheave / Seilrollen / Réas / Poleas / Carrucole / Roldanas / блок	725 kg
9,1 tonne overhaul ball / 9,1 t Kugelhaken / Crochet simple de 9,1 tonnes / Ganho de bola de 9,1 toneladas / Bozzello a palla da 9,1 tonnellate / Bola e gancho de 9,1 toneladas / 9,1-крюк с шаром утяжелителем	313 kg
10-18 m bifold swingaway fly jib / Doppelklappspitze / Extension de flèche repliable / Plumín Plegable / Prolunga ripiegabile del braccio / Extensão da lança articulada. / складной удлинитель стрелы	
11 m erected / Klappspitze vorgebaut / Déplié / Montado / Montato / Montado / смонтированный	2 386 kg
18 m erected / Klappspitze vorgebaut / Déplié / Montado / Montato / Montado / смонтированный	4 472 kg
25,9 m jib erected / Spitze vorgebaut / Déplié / Montado / Montato / Montado / смонтированный	6 396 kg
33,8 m jib erected / Spitze vorgebaut / Déplié / Montado / Montato / Montado / смонтированный	8 800 kg

Note: All load handling devices and boom attachments are considered part of the load and suitable allowances must be made for their combined weights.

Hinweis: Alle Lastaufnahmemittel und jede Zusatzausrüstung des Hauptauslegers werden als Teil der Traglast betrachtet und ihre kombinierten Gewichte müssen beim Feststellen der Nettolast entsprechend berücksichtigt (abgezogen) werden.

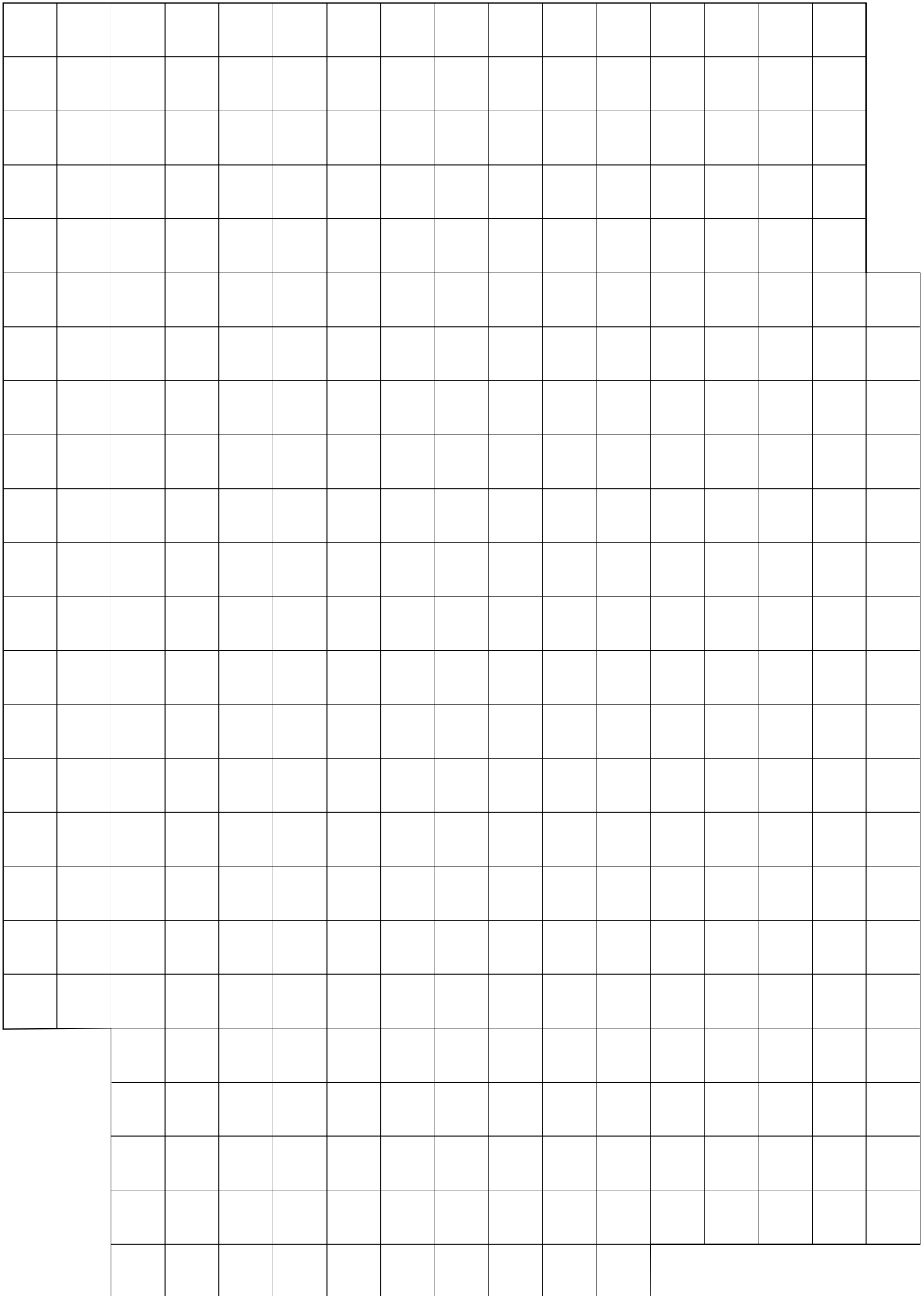
Remarque : Les équipements complémentaires et accessoires de levage sont considérés comme faisant partie de la charge; les réductions de charges de leurs poids combinés doivent être effectuées.

Nota: Todos los aparos de elevacion e implementos de pluma son considerados parte de la carga y deben ser tenidos en cuenta para calcular los pesos a elevar.

Nota: Tutti gli accessori di sollevamento e le opzioni montate sul braccio sono considerati parte del carico e devono essere richieste adeguate autorizzazioni per l'uso dei loro pesi complessive.

Nota: Todos os acessórios de elevação e opcionais de lança contribuem para a carga a elevar pelo que devem ser tidos em conta nos cálculos dos pesos a elevar

Примечание: Все погрузочно/разгрузочные устройства и дополнительные приспособления стрелы считаются частью нагрузки, поэтому в общем весе для них нужно учитывать некоторые допущения.



# Notes • Hinweise • Notes • Notas • Note • Примечания

## Symbols • Symbolerklärung • Glossaire des symboles • Glosario de simbolos • Glossario dei simboli • Simbolos • Символы

	Axles Achsen Ponts Ejes Assali Eixos Оси		Crane functions Kranbewegungen Mouvements de la grue Funciones de la grúa Funzioni della gru Funções da grua Функции крана		Hookblock / Capacity Hakenflasche / Traglast Moufle / Force de levage Gancho / Capacidad Gancio / Capacità Gancho / Capacidade Крюковой блок / Грузоподъемность		Speed Geschwindigkeit Vitesse Velocidad Velocità Velocidade СКОРОСТЬ
	Axle load Achslast Charge à l'essieu Carga por eje Carico sugli assi Carga por eixo Нагрузка на ось		Crane travel Fahrstellung Déplacement de la grue Grúa en traslado Traslazione gru Deslocação da grua Перемещение крана		Hydraulic system Hydrauliksystem Circuit hydraulique Sistema hidráulico Impianto idraulico Sistema hidráulico Гидравлическая система		Suspension Federung Suspension Suspensión Suspensio Suspensão Подвеска
	Boom Ausleger Flèche Pluma Braccio Lança Стрела		Drive/Steer Antrieb/Lenkung Direction/Déplacement Tracción/Dirección Trazione/Sterzo Tração / Direcção Ведущие/Управляемые оси		Lattice extension Gitterspitze Extension treillis Extensión de celosia Falcone tralicciato Extensão treliçada Гусек		Transmission / Gear Getriebe / Gang Boîte de vitesses / Rapport Transmisión / Cambio Cambio Transmissão / Mudança Трансмиссия / передача
	Boom elevation Wippwerk Relevage Elevacion de pluma Elevazione braccio Elevação da lança Подъем стрелы		Electrical system Elektrische Anlage Circuit électrique Sistema eléctrico Impianto elettrico Sistema eléctrico Электросистема		Lattice extension (luffing) Gitterspitze (wippbar) Extension treillis (volée variable) Extensión de celosia (angulable hidráulicamente) Falcone tralicciato (inclinabile) Extensão treliçada (angulação hidráulica) Гусек (с изменением вылета)		Travel speed Fahrgeschwindigkeit Vitesse de déplacement Velocidad de desplazamiento Velocità di traslazione Velocidade de translação СКОРОСТЬ ДВИЖЕНИЯ
	Boom telescoping Teleskopieren Télescopage de flèche Telescopaje de pluma Lunghezza braccio Telescopagem da lança Выдвижение стрелы		Engine Motor Moteur Motor Motore Motor Двигатель		Luffing Jib Wippspitzenausleger Volée variable Plumín angulable Falcone a volata variabile Jib angulável Маневровый гусек		Tyres Bereifung Pneumatiques Neumáticos Pneumatici Pneus ШИНЫ
	Brakes Bremsen Freins Frenos Freni Travões Тормоза		Free on wheels Freistehend Sur pneus Sobre neumáticos Su gomme - Sobre pneus Свободные внутренние колеса		Low range Kriechgang Gamme basse Marchas cortas Fuoristrada Marcha lenta Низкий диапазон		
	Cab Kabine Cabine Cabina Cabina Cabine Кабина		Gradeability Steigfähigkeit Aptitude en pente Superacion de pendientes Pendenza superabile Declive Преодолеваемый уклон		Outriggers Abstützung Calage Estabilizadores Stabilizzatori Estabilizadores Выносные опоры		
	Carrier frame Chassis-Rahmen Châssis porteur Bastidor Telaio Chassis Рама тягача		Main hoist Haupthubwerk Treuil principal Cabrestante principal Argano principale Guincho principal Лебедка основного подъема		Radius Ausladung Portée Radio Raggio Raio Вылет		
	Counterweight Gegengewicht Contrepoids Contrapeso Contrapeso - Contrapeso Противовес		Auxiliary hoist - Hilfshebwerk Treuil auxiliaire Cabrestante auxiliar Argano secundario Guincho auxiliar Лебедка вспомогательного подъема		Slewing/Working range Drehwerk/Arbeitsbereich Orientation/Rayon d'opération Giro/Gama de trabajo Rotazione/Area di lavoro - Giratória / Gama de trabalho Поворот/ Рабочий диапазон		

## Regional headquarters

### Manitowoc - Americas

Manitowoc, Wisconsin, USA

Tel: +1 920 684 6621

Fax: +1 920 683 6277

Shady Grove, Pennsylvania, USA

Tel: +1 717 597 8121

Fax: +1 717 597 4062

### Manitowoc - Europe, Middle East & Africa

Ecully, France

Tel: +33 (0)4 72 18 20 20

Fax: +33 (0)4 72 18 20 00

### Manitowoc - Asia Pacific

Shanghai, China

Tel: +86 21 6457 0066

Fax: +86 21 6457 4955

## Regional offices

### Americas

**Brazil**

Alphaville

**Mexico**

Monterrey

**Chile**

Santiago

### Europe, Middle East & Africa

**Czech Republic**

Netvorice

**France**

Baudemont

Cergy

Decines

**Germany**

Langenfeld

**Hungary**

Budapest

**Italy**

Parabiago

**Netherlands**

Breda

**Poland**

Warsaw

### Portugal

Baltar

**Russia**

Moscow

**U.A.E.**

Dubai

**U.K.**

Gawcott

### Asia - Pacific

**Australia**

Brisbane

Melbourne

Sydney

**China**

Beijing

Xi'an

**India**

Hyderabad

Pune

**South Korea**

Seoul

**Philippines**

Makati City

**Singapore**

## Factories

**Brazil**

Alphaville

**China**

TaiAn

Zhangjiagang

**France**

Charlieu

La Clayette

Moulins

**Germany**

Wilhelmshaven

**India**

Pune

**Italy**

Niella Tanaro

**Portugal**

Baltar

Fânzeres

**Slovakia**

Saris

**USA**

Manitowoc

Port Washington

Shady Grove

This document is non-contractual. Constant improvement and engineering progress make it necessary that we reserve the right to make specification, equipment, and price changes without notice. Illustrations shown may include optional equipment and accessories and may not include all standard equipment.

Die Angaben in diesem Dokument erfolgen ohne Gewähr. Wir verbessern unsere Produkte ständig und integrieren den technischen Fortschritt. Aus diesem Grund behalten wir uns das Recht vor, die technischen Daten, die Ausstattungsdetails und die Preise unserer Maschinen ohne Vorankündigung zu ändern.

Ce document est non-contractuel. Du fait de sa politique d'amélioration constante de ses produits liée au progrès technique, la Société se réserve le droit de procéder sans préavis à des changements de spécifications, d'équipement ou de prix. Les illustrations peuvent comporter des équipements ou accessoires optionnels ou ne pas comporter des équipements standards.

Este documento no es contractual. El perfeccionamiento constante y el avance tecnológico hacen necesario que la empresa se reserve el derecho de efectuar cambios en las especificaciones, equipo y precios sin previo aviso. En las ilustraciones se puede incluir equipo y accesorios opcionales y es posible que no se muestre el equipo normal.

Documento non contrattuale. In considerazione della sua politica di costante miglioramento dei prodotti connesso al progresso tecnico, la Società si riserva il diritto di modifi care senza preavviso specifiche, equipaggiamenti o prezzi. Le illustrazioni possono contenere equipaggiamenti o accessori optional o non contenere equipaggiamenti standard.

Este documento não se reveste de qualquer carácter contratual. A introdução constante de melhorias e o progresso da engenharia tornam necessário reservarmos o direito de introduzir alterações nas características técnicas, no equipamento e no preço sem qualquer aviso prévio. As ilustrações aqui apresentadas podem incluir equipamento e acessórios adicionais, podendo não incluir todo o equipamento padrão.

Данный документ не является контрактным. Принимая во внимание необходимость постоянного совершенствования и модернизации мы оставляем за собой право изменять спецификации, конструкции и стоимость без предварительного уведомления. Приведенные иллюстрации могут содержать дополнительные компоненты и принадлежности, не входящие в стандартный комплект поставки оборудования.