

# *SOLAR* 210wv

## MATERIAL HANDLING

Operating Weight: 19.500 ~ 21.200 kg

Engine Power: 115 kW (155 Hp) / 2.200 rpm

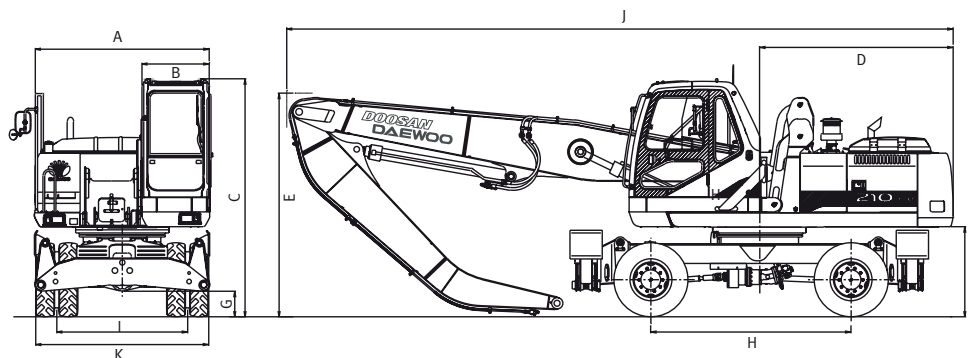


[www.doosaninfracore.com](http://www.doosaninfracore.com)

**DOOSAN DAEWOO**

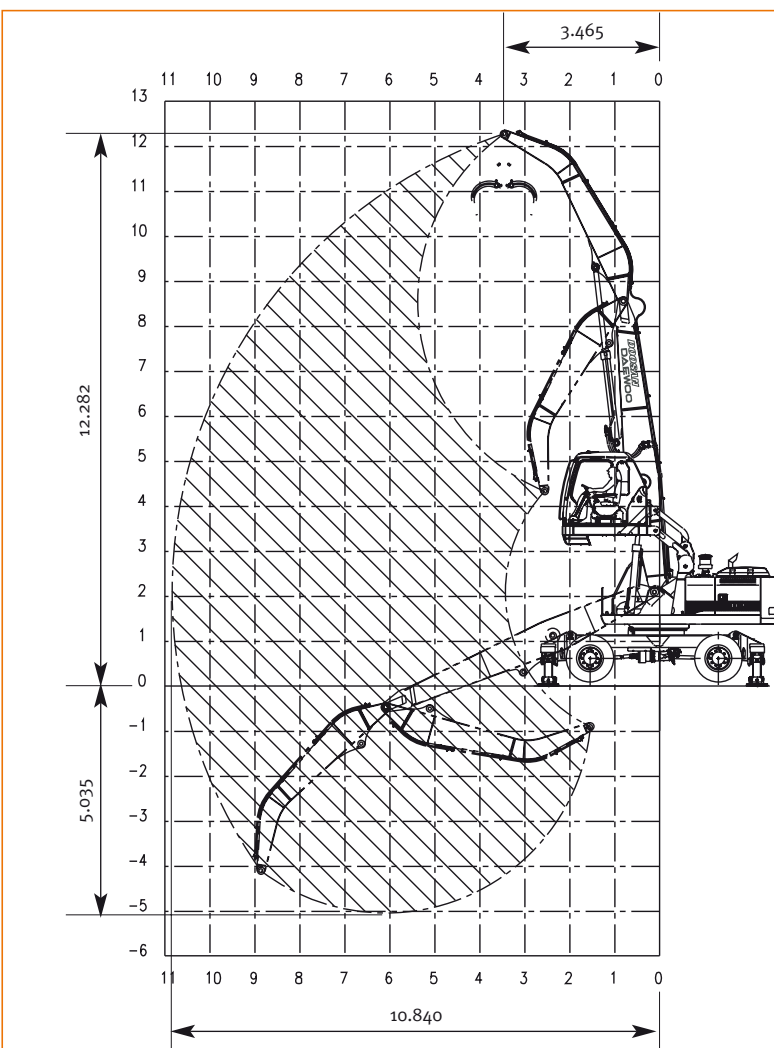
# Dimensions & Working Ranges

## DIMENSIONS



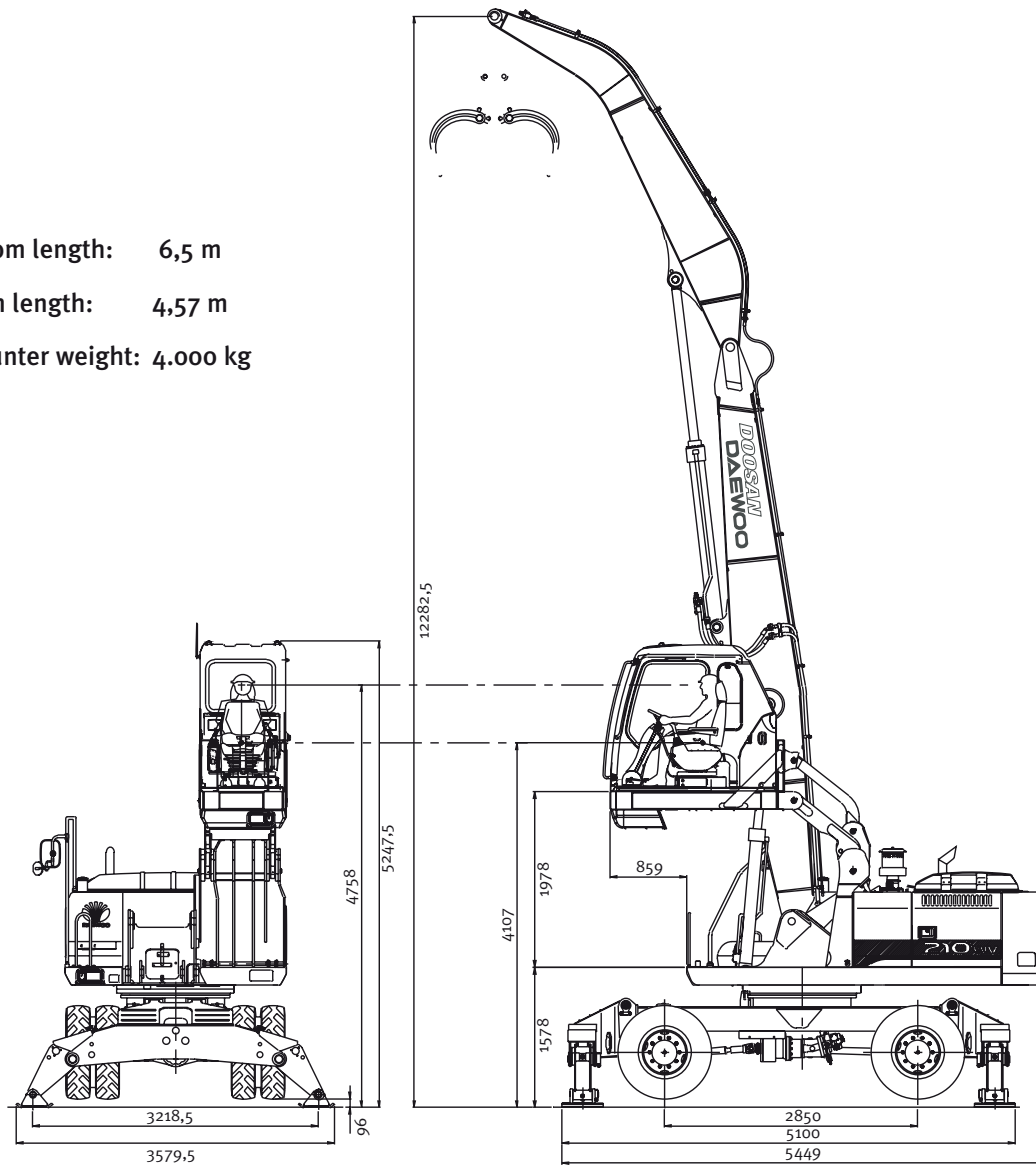
A	Overall width of upper structure	2.494 mm
B	Overall width of cab	960 mm
C	Overall height of cab	3.387 mm
D	Tail swing radius	2.750 mm
E	Overall height of boom	3.181 mm
F	Clearance under counterweight	1.254 mm
G	Ground clearance	340 mm
H	Wheel base	2.850 mm
I	Tread	1.874 mm
J	Overall length	9.484 mm
K	Overall tire width with fender <i>10.00-20-14PR Double tire</i>	2.496 mm

## WORKING RANGES



## DIMENSIONS

Boom length: 6,5 m  
Arm length: 4,57 m  
Counter weight: 4.000 kg



## MATERIAL HANDLING



### DAEWOO becomes DOOSAN

On the 29<sup>th</sup> of April 2005, the DOOSAN group acquired DAEWOO Heavy Industries & Machinery.

By taking this action, Doosan – with estimated sales of € 9 billion in 2005 and a workforce of 23,000 – is firmly consolidating its position among the ever smaller number of heavy equipment manufacturers around the world.

The company, now a major player with regard to industrial and public-sector infrastructure projects, is looking decisively towards the future with its advanced technologies and its investments in research and development.

The group's strengths are built on over 100 years of experience, & a solid financial structure, allowing it to commit to large-scale investments for ensured future success.

DOOSAN Infracore intends to become a worldwide leader in offering total industrial solutions to its clients.

*Thierry Deschamps : "Our aim is to become a targeted "total service provider" by developing and integrating a range of different activities above and beyond our main area of work. The DOOSAN Infracore group's resources and expertise will allow us to move forward and broaden the portfolio of products and services we offer."*

### Doosan Infracore Europe S.A.

1<sup>A</sup>, rue Achille Degrâce  
7080 Frameries  
Belgium  
Tel : +32-65-61 32 30 • Fax : +32-65-67 73 38

### Doosan Infracore France S.A.

1/3 rue Pavlov, Z.A. des Bruyères  
78190 Trappes, France  
Tel : +33-1-30 16 21 41 • Fax : +33-1-30 16 21 44

### Doosan Infracore U.K., Ltd.

Doosan House, Unit 6.3, Nantgarw Park  
Cardiff CF47QU, U.K.  
Tel : +44-1443-84-2273 • Fax : +44-1443-84-1933

### Doosan Infracore Germany GmbH

Hans-Böckler-Str. 29  
D-40764, Langenfeld-Fuhrkamp, Germany  
Tel : +49-2173-8509-18 • Fax : +49-2173-8509-45

### Seoul Head Office

Doosan Tower 26<sup>th</sup> FL. 18-12, Euljiro-6Ga,  
Jung-Gu, Seoul, Korea 100-730  
Tel : +82-2-3389-8114 • Fax : +82-2-3389-8117



The illustrations do not necessarily show the product in standard version. All products and equipments are not available in all market. Materials and specifications are subject to change without prior notice.