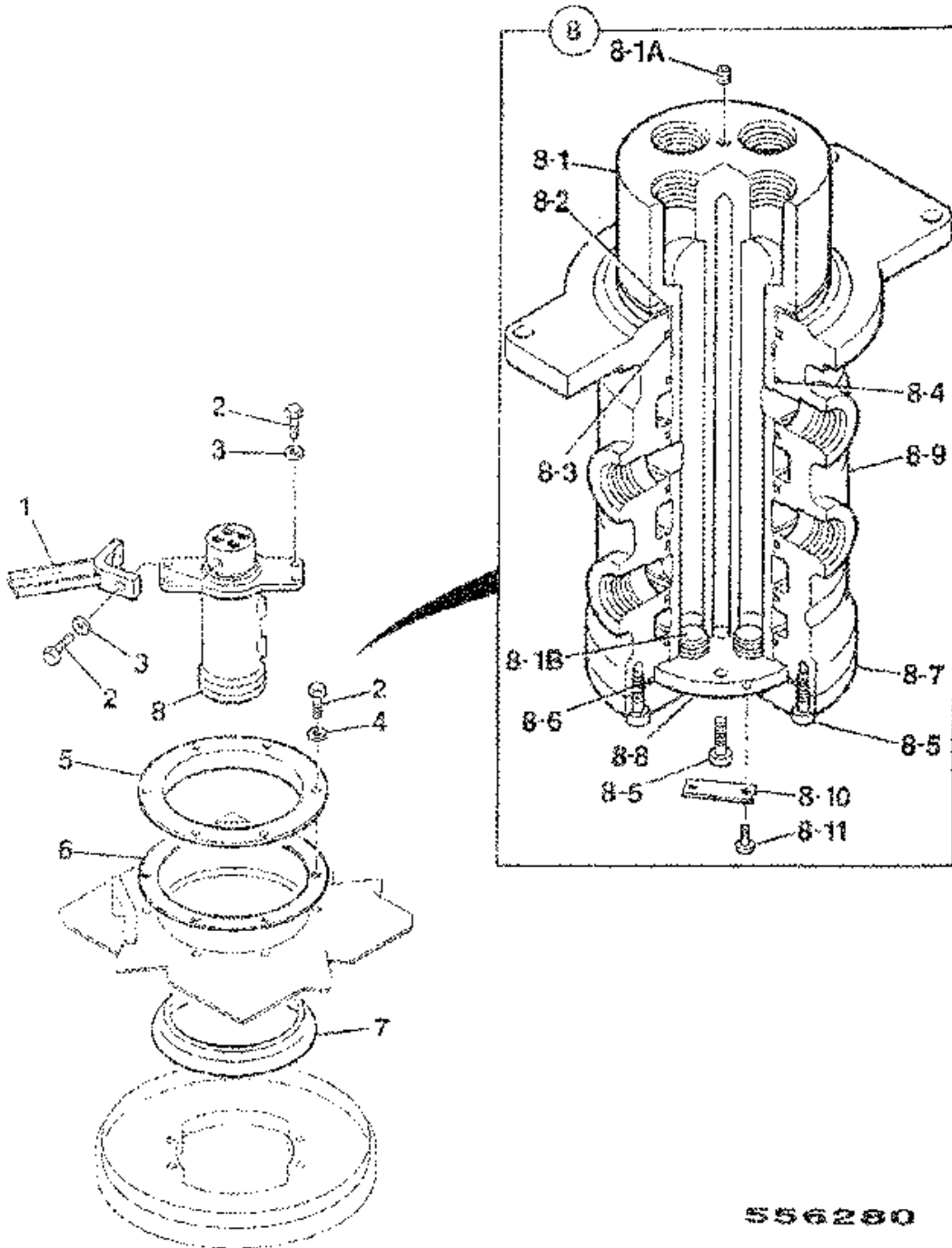
 9802/5770 E3-14-1 COUPLING, ROTARY



556280