

***MORE THAN
JUST LOADERS...***



THE MICHIGAN ALLROUNDER RANGE

THE NEW L50-L160 MICHIGAN LOADER UNBEATABLE ALLROUNDERS

Wherever the work is tough and varied and demands for rapid and efficient materials handling are high, the Michigan Allrounders are unbeatable. They have been designed and developed to meet your needs for versatility and capacity. With the choice of five machines and over 100 different attachments, you can always choose the right combination for maximum productivity.

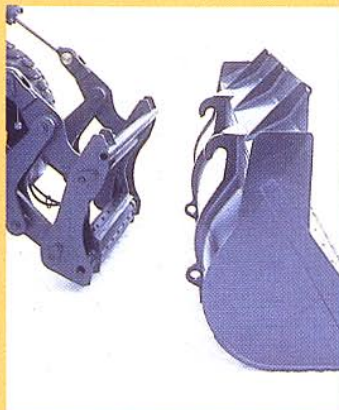
The highly effective loader linkage on the Michigans give you excellent lift height and reach while maintaining precise control of loads throughout the lifting range.

These machines are highly maneuverable and easy to operate. To achieve high production, the operator must have an efficient and comfortable working environment. Michigan Allrounders provide a quiet, safe and comfortable cab. This results in higher production and job satisfaction. Michigan Allrounders are at work all over the world in many and varied material handling applications. This success is the result of accumulated know-how, advanced technology and reputation for excellence.



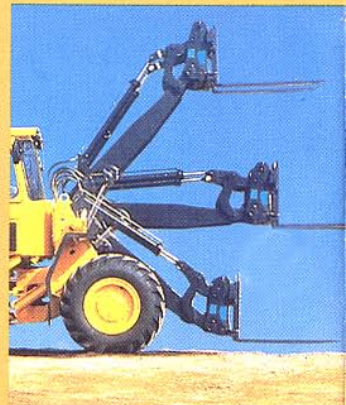
Changing Attachments in Less Than a Minute

Attachment changes are simple with the Michigan quick coupler attachment bracket. You will not hesitate to change attachments when the need arises. The results: most effective use of your machine.



Level Handling of the Load

Working with stacks, packages and palletized goods is common throughout industry. Loads must be carried and maneuvered securely. The Michigan loader has a linkage geometry that maintains a level load position throughout the lifting movement (parallel lift-arm action). Tilt adjustments are unnecessary, allowing you to work with greater speed and precision.



RANGE

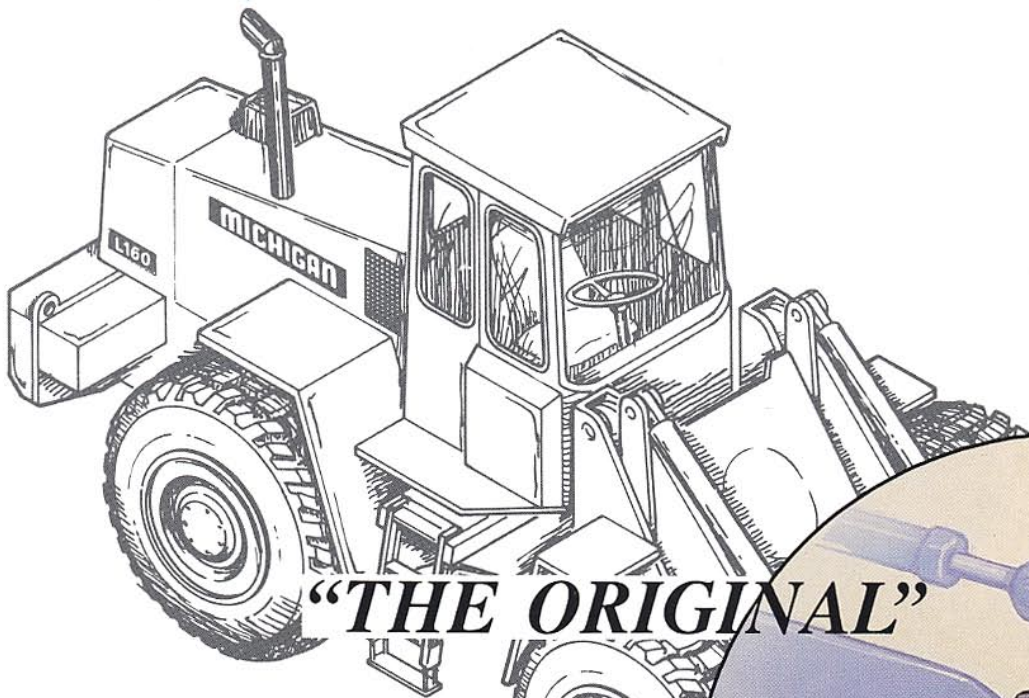


Automatic Power Shift Transmission

The Michigan Allrounders are in the forefront of technological progress. The L50-L160 are equipped with a Volvo BM AUTOMATIC POWER SHIFT TRANSMISSION. A programmed computer tells the transmission when to change gears. Automatic shift makes sure that the machine is always working in the right gear. This in turn ensures optimum efficiency and economy.

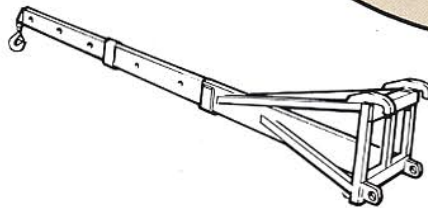
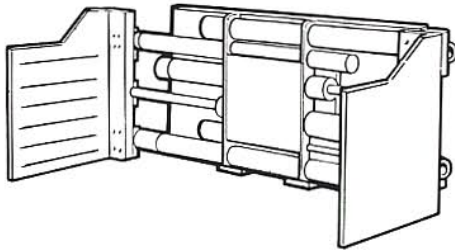
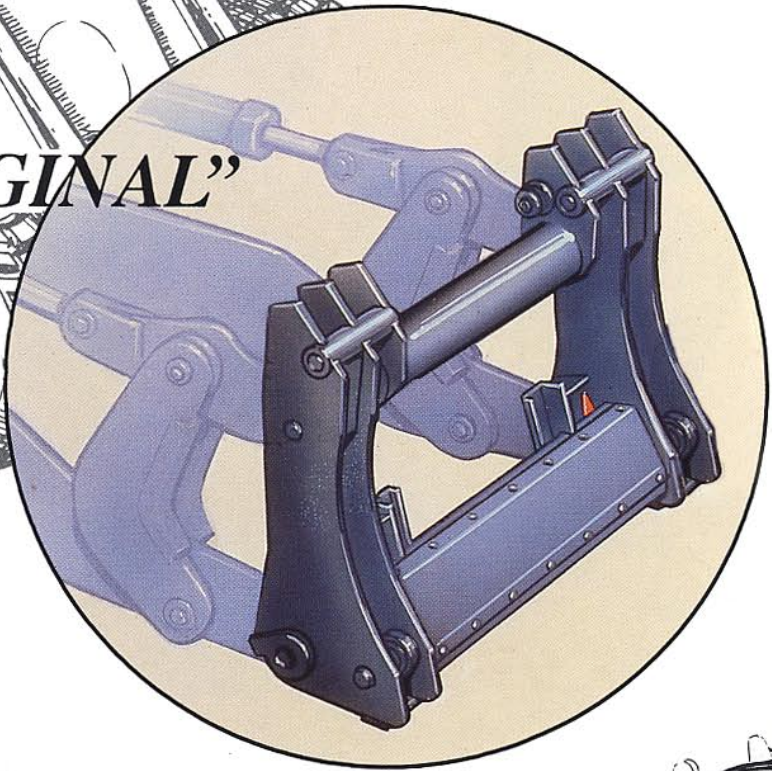


THE "ORIGINAL" QUICK COUPLER GIVES FLEXIBILITY

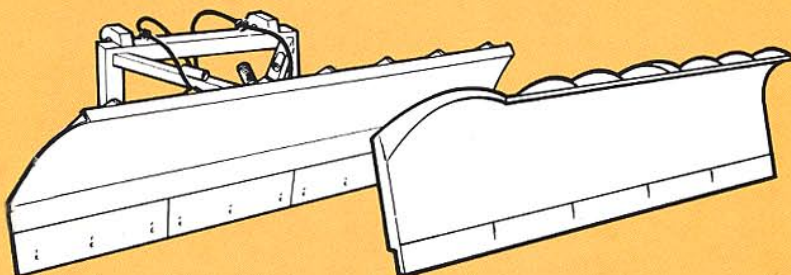
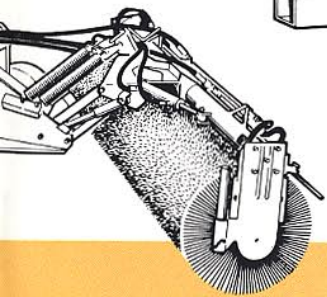
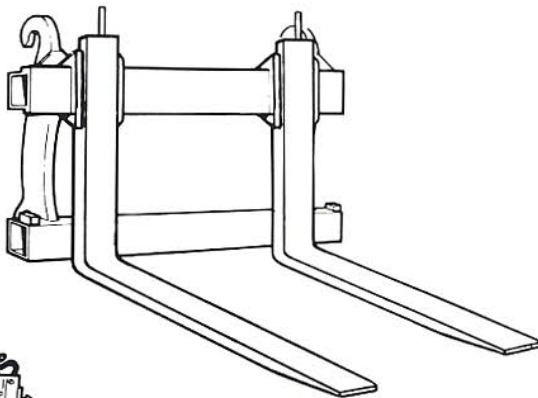
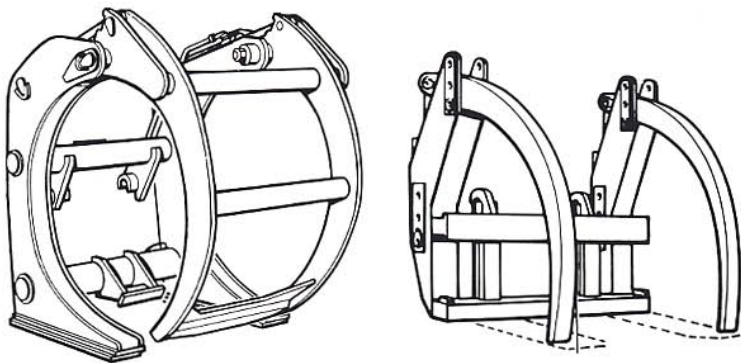
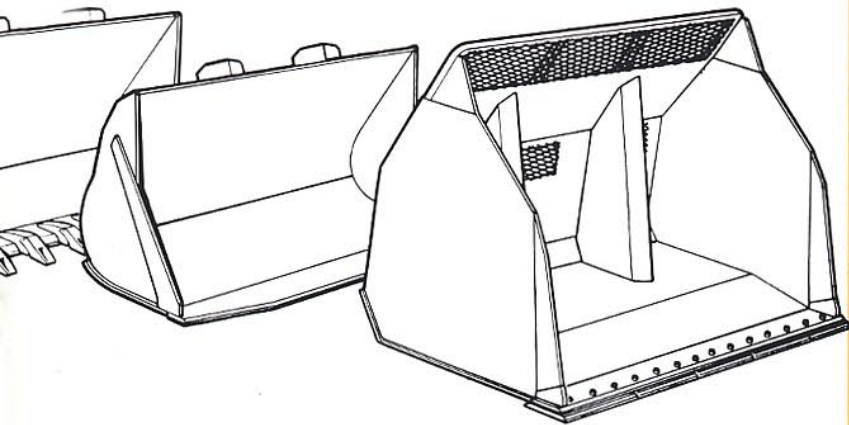


"THE ORIGINAL"

Different materials require different methods of handling but not necessarily different machines. The Michigan Allrounders provide a wide range of job applications. The quick coupler attachment bracket combined with the assortment of available attachments will provide the flexibility of one machine with many uses.



ITY – AROUND THE CLOCK...



MATERIAL HANDLING

- *Sand · Gravel · Stone*
- *Construction*
- *Municipal*
- *Forestry · Lumber*
- *Industrial*
- *Agriculture*



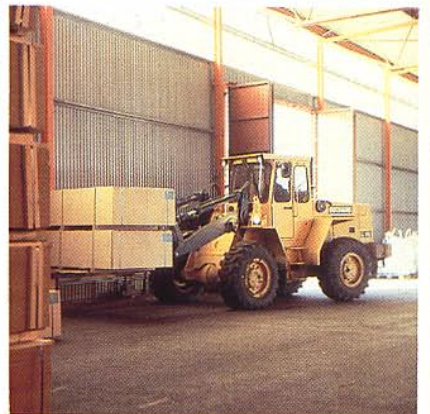
...AROUND THE CALENDAR

If you have the potential to use your loader for multiple job requirements, the Allrounder is the answer. Changing bucket sizes or types to be compatible with varied job requirements, conditions, and material types and weights will provide the most efficient use of the machine. Changing from a log grapple to forks for handling sawn lumber, to a high tip large volume woodchip bucket, to a standard loader bucket gives the forestry or sawmill operator added useage of his capital investment. Municipalities need this flexibility of loaders, forks, material handling arms, sweepers, snow plows/buckets. The Michigan Allrounder meets these needs.



Even though we offer many attachments, there will be times that something special may be required, such as the sugar beet bucket shown at right. If your application needs a special attachment, contact your Michigan Allrounder distributor.





“THE ORIGINAL”

Under our policy of continuous product improvement, we reserve the right to change specifications and design without prior notice. The illustrations do not necessarily show the standard version of the machine.

VME Americas Inc.

23001 Euclid Avenue
Box 178017
Cleveland, Ohio 44117-8017

A subsidiary of VME Group N.V.



Allrounder 7/87