

KOMATSU

PW140-7

ENGINE POWER
90,0 kW / 121 HP @ 2.200 rpm

OPERATING WEIGHT
12.670 - 15.200 kg

BUCKET CAPACITY
max. 0,97 m³

PW
140

HYDRAULIC WHEELED EXCAVATOR



PW140-7

WALK-AROUND

The PW140-7 is a rugged, productive, all-European machine. Designed and expressly built for European markets, it delivers productivity, reliability and operator comforts in a robust, environmentally-friendly package. Komatsu's exclusive, on-board, HydraMind system assists in all operations, providing enhanced machine performance that's always perfectly matched to the task.

High productivity

- High lifting capacity and good stability
- High drawbar pull

Advanced Attachment Control

The PW140-7 can be optionally equipped to handle a wide variety of attachments. The advanced attachment control system features:

- Operator selectable hydraulic flow control
- Adjustable presets for rapid attachment changeover
- Attachment piping options for breaker, clamshell or crusher

Undercarriage

- Designed for high ground clearance
- Virtually zero axle rocking with out-board wet disc system
- Powerful drawbar pull
- Automatic 3-speed travel
- 35 km/h maximum travel speed



Komatsu Tracking System

Track and monitor your machine anytime, anywhere for total peace of mind.



ENGINE POWER
90,0 kW / 121 HP

OPERATING WEIGHT
12.670 - 15.200 kg

BUCKET CAPACITY
max. 0,97 m³

SpaceCab™

- Sealed and pressurised cab with standard climate control
- Low-noise design
- Low-vibration design with viscous cabin damper mounting
- Cab moved forward for better visibility
- Ergonomic control levers
- Seat specially designed for wheeled machines,
with exceptional extra comfort

Excellent reliability and durability

- Reliable major components designed and built by Komatsu
- Exceptionally reliable electronic devices

In harmony with the environment

- The economy mode reduces fuel consumption
- Low operating noise
- Designed for easy end-of-life recycling



ecot3
ecology & economy - technology 3

The Komatsu SAA4D107E-3 engine meets EU Stage IIIA and EPA Tier III emission regulations.

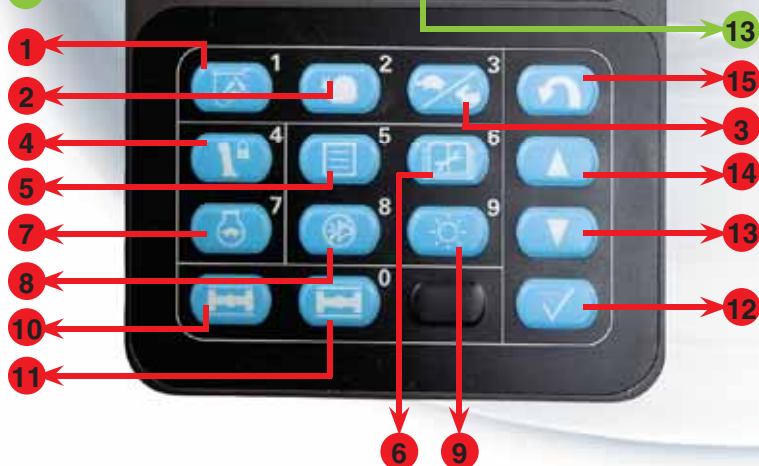
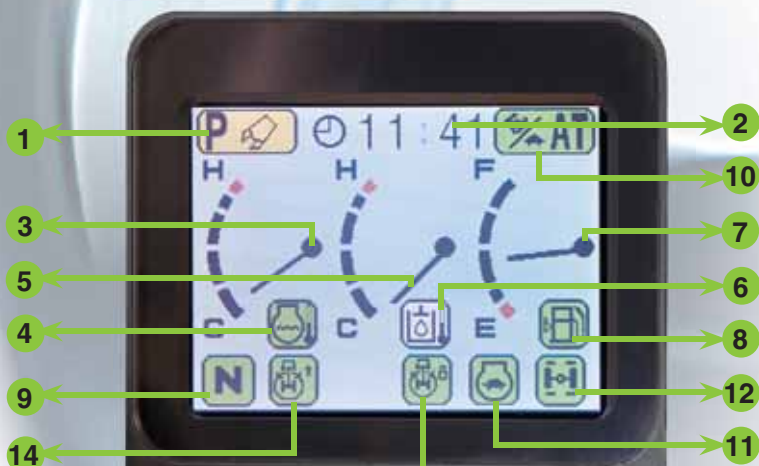
EMMS

EMMS (Equipment Management and Monitoring System)

The EMMS is a highly sophisticated system, controlling and monitoring all the excavator functions. The user interface is highly intuitive and provides the operator with easy access to a huge range of functions and operating information.

Four working modes

The PW140-7 is equipped with three working modes: (P, E, B), plus a lifting mode (L). Each mode is designed to match the engine speed, pump speed, and system pressure with the current operating requirement. This provides the flexibility to match equipment performance to the job at hand.



On-screen symbols

- 1 Working mode
- 2 Service meter and clock
- 3 Engine water gauge
- 4 Engine water temperature warning
- 5 Hydraulic oil gauge
- 6 Hydraulic oil temperature warning
- 7 Fuel gauge
- 8 Fuel low level warning
- 9 Travel direction
- 10 Travel mode
- 11 Auto deceleration
- 12 Suspension lock
- 13 Swing lock
- 14 Swing position

Push-button control switches

- 1 Working mode select
- 2 Creep speed
- 3 High/low speed select
- 4 Control lever lock
- 5 Menu select key
- 6 Service menu
- 7 Engine auto deceleration
- 8 Buzzer cancel
- 9 Brightness adjust
- 10 Suspension auto lock
- 11 Suspension lock
- 12 Accept key
- 13 Scroll down
- 14 Scroll up
- 15 Undo switch
- 16 Rear left outrigger/blade
- 17 Front left outrigger/blade
- 18 Front right outrigger
- 19 Rear right outrigger

Power mode

For maximum power and fast cycle times. Normally used for heavy operations such as hard digging and loading. This mode allows access to the 'Power-Max' function to temporarily increase the digging force by 7% for added power in tough situations.

Economy mode

The environmentally-friendly mode. For running more quietly during operations at night and/or in urban areas. Fuel consumption and exhaust emissions are reduced.

Breaker mode

Delivers optimal hydraulic pressure, flow and engine RPMs for powerful breaker operations.

Lifting mode

Increases the lifting capacity 7% by raising the hydraulic pressure. This mode supports safe lifting operations.

Working mode	Application	Advantage
P	Power mode	<ul style="list-style-type: none"> • Maximum production/power • Fast cycle times
E	Economy mode	<ul style="list-style-type: none"> • Excellent fuel economy
B	Breaker mode	<ul style="list-style-type: none"> • Optimum engine RPMs and hydraulic flow
L	Lifting mode	<ul style="list-style-type: none"> • Hydraulic pressure has been increased by 7%



Hydraulic flow general adjustment screen in B (breaker) mode



Fine tune hydraulic flow adjustment screen in B (breaker) mode



Fine tune hydraulic flow adjustment screen in P (power) or E (economy) mode



Password screen

Easy to see and easy to use

Superb recognition colour LCD screens for each mode. Letters and numbers are combined with colour images for exceptionally clear and easy-to-read information. The high-resolution screen is easy to read in bright sunlight and in all lighting conditions.

Automatic three-speed travel

The travel speed is automatically shifted from high to low speed, according to the ground conditions.

	High	Low	Auto	Creep
Travel speed	35 km/h	8,5 km/h	0 - 35 km/h	2,0 km/h

Fingertip hydraulic pump oil flow adjustment

From the LCD monitor, you can automatically select the optimal hydraulic pump oil flow for breaking, crushing, and other operations in the B, P or E modes. Also, when simultaneously operating with attachments and work equipment, the flow to the attachment is reduced automatically, thus delivering a smooth movement of the work equipment.

Password protection

Prevents unauthorised machine use or transport. The engine cannot be started without your four-digit use or password.

For total security, the battery is connected directly to the starter motor. Both the starter and the engine need the password.

The password can be activated and deactivated upon request.

WORKING ENVIRONMENT

PW140-7's cab interior is spacious and provides a comfortable working environment...

SpaceCab™

Comfortable cab

The new PW140-7 inner cab volume is 14% greater than the Dash 6 models, offering an exceptionally comfortable operating environment. The large cab enables the seat, with headrest, to be reclined to horizontal.

Pressurised cab

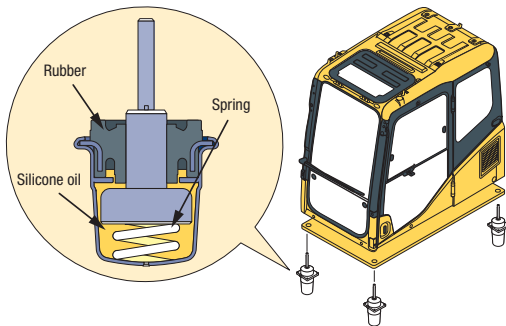
The standard-equipped climate control, air filter and a higher internal air pressure resist dust entry into the cab.

Low-noise design

Noise levels are substantially reduced; engine noise as well as swing and hydraulics operations noise.

Cab damper mounting for low vibration levels

PW140-7 uses a new and improved viscous damping cab mount system that incorporates a longer stroke plus an added spring. The new cab damper mounting, combined with strengthened left and right-side decks, aids the reduction of vibrations to the operator's seat.



Outer air filter

Easy removal/installation of the air conditioner filter element, without tools facilitates easier cleaning.



Large sun roof with integrated sun shade



12-Volt power supply and (optional) radio cassette



Climate control



Tiltable steering wheel with several functions; wiper control, indicator, horn, and head lights

Safety features

Multi-position controls

The multi-position, proportional pressure control levers allow the operator to work in comfort whilst maintaining precise control. A double-slide mechanism allows the seat and controllers to move together, or independently, allowing the operator to position the controllers for maximum productivity and comfort.



Hot and cool box



Joysticks with proportional control button for attachments



Seat sliding range: 340 mm



Defroster/demister

Improved, wide visibility

The right side window pillar has been removed and the rear pillar reshaped to provide greater visibility. Blind spots have been decreased by 34%.

Pump/engine room partition

This prevents hydraulic oil from spraying onto the engine to reduce the risk of fire.

Thermal and fan guards

Are placed around high-temperature parts of the engine. The fan belt and pulleys are well protected.

Steps with non-skid surface and large handrail

Steps with non-slip surfacing ensure safer maintenance.

Thermal guard



Non-slip sheet

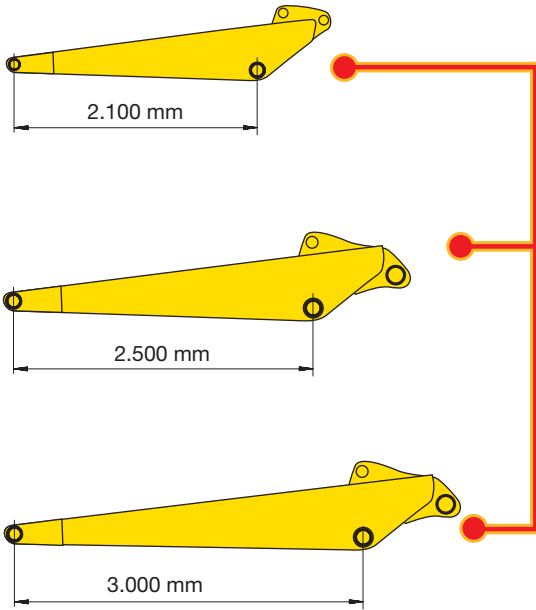


Large handrail for safe access



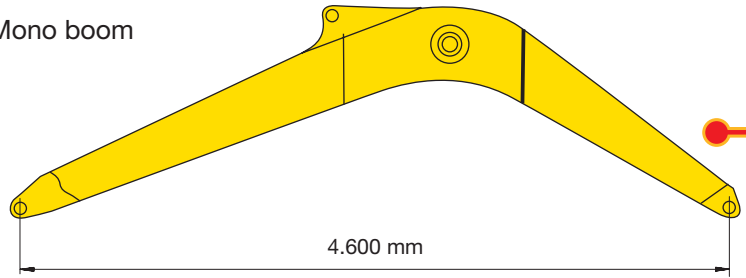
FLEXIBILITY

ARMS

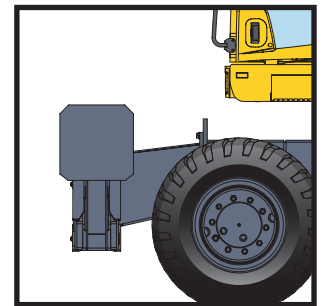
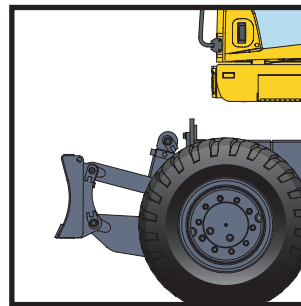
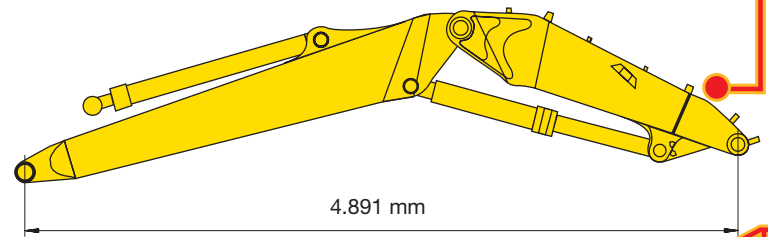


BOOMS

Mono boom



Two-piece boom



Additional hydraulic circuits

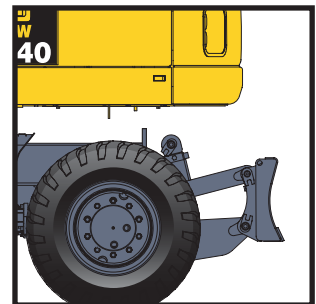
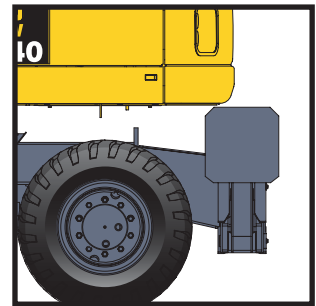
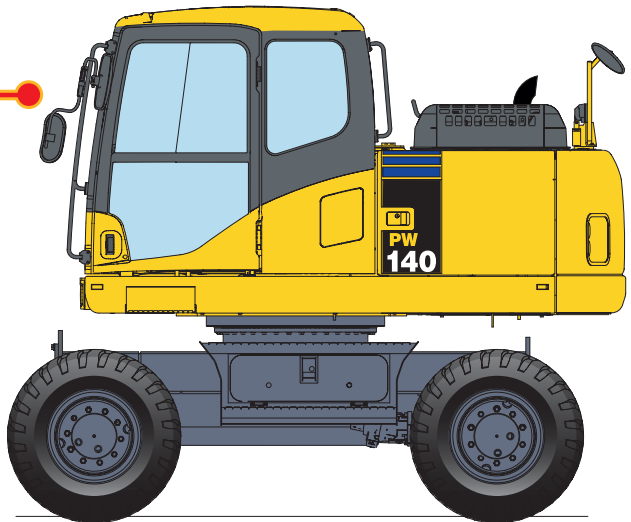
A 2-way additional hydraulic circuit, electrically controlled from the wrist control levers, is fitted as standard.



Outriggers

Independently controlled outriggers are optionally available on both, the front and rear of the machine. The cylinder protections are standard on the outriggers.

The PW140-7 can be specified with an enormous range of work equipment and undercarriage attachments to meet the needs of almost any application.



Attachments commonality & functionality

The stabilizer and dozer blade are interchangeable, and therefore can be attached on the front or rear of the chassis. The stabilizer and dozer blade are controllable from the monitor panel. The monitor panel has four buttons that allow individual attachment operation as well as collective operation.



Toolbox
Tough, secure toolbox, integrated in the mudguards. Optionally fitted on both sides of the undercarriage.



Dozer blade
A parallel blade is available with standard cylinders protector for both the front and rear of the machine.
Dimensions: 2.550 mm x 520 mm

EASY OPERATION

As well as operating the standard work equipment movements, the RH wrist control lever is also used to operate the undercarriage. When used in conjunction with the selection switch on the control panel, full independent control of outriggers and dozer blade is immediately available. This feature, together with the automatic axle lock, enables the machine to be moved, stabilized and operated extremely quickly.

Travel control

A rock button is installed on the right hand lever, it controls the travel operation into forward, neutral and rear.



Clamshell control

Anti-clock wise clamshell rotation.



Undercarriage attachment control

After a single touch, the lever can be used to precisely operate the selected undercarriage attachment. After operating the undercarriage attachments, a single touch reverts the lever into standard boom operation.

Breaker control

Used for breaker operation when B mode is selected.



PRODUCTIVITY FEATURES



Safe and precise lifting

PW140-7's stability is one of the best in its class. The machine is equipped with boom safety valves and overload caution as standard. This combined with the control of HydraulMind and the power of the lifting mode, gives incredible safe and precise lifting performance. Example: The over-front lifting capacity (reach 6,0 m over front, height 6,0 m) has a capacity of 3,1 tonnes (Front outriggers + rear blade and two piece boom with 2,5 m arm).

Improved fuel consumption

With its newly developed Komatsu ECOT3 engine, the PW140-7 significantly reduces hourly fuel consumption through highly efficient techniques for matching the engine and hydraulic unit. The Komatsu SAA4D107E-3 engine meets EPA Tier III, and EU Stage IIIA emissions regulations and reduces NOx emissions.

PowerMax function

PowerMax can be selected by depressing a joystick button for an instant burst of power to help break through tough digging situations. The PowerMax function is available in the P and E working mode.

Bucket digging force*: 93 kN

Arm crowd force*: 67 kN

* Measured with PowerMax function, 2.500 mm arm and ISO rating



Superb visibility

Excellent all-round visibility is provided by large panoramic windows. Front visibility is further improved by the use of the Komatsu patented wiper system. When not in use the wiper parks on the cab frame itself with no contact with the front window. As well as giving excellent visibility, this systems avoids the need to disconnect the wiper before lifting the front window. The standard new plexiglas roof with sun visor gives the operator a better view of overhead obstacles and machine operations. It also allows more natural light to illuminate the cab's interior.

REVOLUTIONARY MACHINE MANAGEMENT



The Komatsu Tracking System, KOMTRAX™, provides a revolutionary new way to monitor your equipment, anytime, anywhere. It lets you pin-point the precise location of your machines and obtain real-time machine data. Using GPS location and communication satellite technology, it's designed to be future proof and will meet your demands today and tomorrow.

Komtrax will help you to answer the three most important questions you have about your machine:

- Is the machine making money
- Is the machine safe
- Is the machine in good health

For more details, please ask your distributor for a copy of the Komtrax brochure.



KOMTRAX™ server

Check machine location



Customer



Check service meter



Annual working hour record

Machine ID	Year	Working Hours	Idle Hours	Total Hours
1001	2010	1500	1000	2500
1002	2010	1200	800	2000
1003	2010	1800	1200	3000

Caution and periodic maintenance

Machine ID	Machine Type	Model	Serial No.	Year
1001	Excavator	PC140-7	1001001	2010
1002	Excavator	PC140-7	1001002	2010

Working record (fuel level, hours etc.)

Date	Working Hours	Fuel Level	Oil Level	Temp	Pressure
2010-01-01	100	100	100	100	100
2010-01-02	110	110	110	110	110
2010-01-03	120	120	120	120	120

There are certain countries where KOMTRAX™ is not yet available, please contact your distributor when you want to activate the system. Komtrax will not operate if the satellite signal is blocked or obscured.

MAINTENANCE FEATURES

Easy maintenance

Komatsu designed the PW140-7 to have easy service access. By doing this, routine maintenance and servicing are less likely to be skipped. This can mean a reduction in costly downtime later on. Here are some of the many service features found on the PW140-7:

Easy access to the engine oil filter and fuel drain valve

The engine oil filter and fuel drain valve are mounted remotely to improve accessibility.

Side-by-side cooling

The oil cooler and radiator are installed side by side. As a result, it is very easy to clean the radiator, etc. In addition, the operator can remove and install the aftercooler, radiator and oil cooler in a short time.

Water separator

This is standard equipment which removes any water that has become mixed with the fuel, preventing fuel system damage.



Designed and built for strength

Using the latest computer aided design techniques and exhaustive testing, the boom and arm designs have been optimised for strength and durability.

The highly automated manufacturing process uses the very latest equipment and quality control techniques. Critical welding is carried out by robots to ensure an extremely high quality and consistent product.

Precision engineered pin and bush system. The key work equipment joints use a chrome plated pin and bronze bushing system to provide minimal play and extended durability.

SPECIFICATIONS



ENGINE

ModelKomatsu SAA4D107E-3
 Type..... Common rail direct injection, water-cooled, emissionised, turbocharged, after-cooled diesel

Engine power
 at rated engine speed2.200 rpm
 ISO 1439690,0 kW/121 HP
 ISO 9249 (net engine power)86,0 kW/115 HP

No. of cylinders 4
 Bore x stroke..... 107 x 124 mm
 Displacement..... 4,5 ltr
 Batteries 2 x 12 V/120 Ah
 Alternator24 V/60 A
 Starter motor24 V/4,5 kW
 Air filter type Double element type with monitor panel dust indicator and auto dust evacuator

Cooling Suction type cooling fan



HYDRAULIC SYSTEM

Type.....HydrauMind. Closed-centre system with load sensing and pressure compensation valves

Additional circuits..... Depending on the specification up to 2 additional proportional control & quick coupler circuits can be installed

Main pump Variable displacement piston pump supplying boom, arm, bucket, swing and travel circuits

Maximum pump flow..... 252 ltr/min

Relief valve settings
 Implement 380 bar
 Travel 380 bar
 Swing280 bar
 Pilot circuit..... 37 bar



COOLANT AND LUBRICANT CAPACITY (REFILLING)

Fuel tank 275 ltr
 Radiator 16 ltr
 Engine oil 17 ltr
 Swing drive..... 2,5 ltr
 Hydraulic tank 123 ltr
 Transmission 4,85 ltr
 Front differential 10,5 ltr
 Rear differential 9,5 ltr
 Front axle hub 2,5 ltr
 Rear axle hub 2,0 ltr
 Swing pinion grease bath amount..... 10,5 ltr



ENVIRONMENT

Engine emissionsFully complies with EU Stage IIIA and EPA Tier III exhaust emission regulations

Noise levels
 LwA external101 dB(A) (2000/14/EC Stage II)
 LpA operator ear 70 dB(A) (ISO 6396 dynamic test)



SWING SYSTEM

Type.....Axial piston motor driving through planetary double reduction gearbox

Swing lock..... Electrically actuated wet multi-disc brake integrated into swing motor.

Swing speed..... 0 - 11 rpm
 Swing torque31 kNm



TRANSMISSION

Type..... Fully automatic power shift transmission with permanent 4 wheel drive

Travel motorsOne variable displacement axial piston motor

Maximum pressure..... 380 bar

Travel modes..... Automatic + 3 travel modes

Max. travel speeds
 Hi / Lo / Creep35,0 / 8,5 / 2,0 km/h
 A max. speed restriction of 20 km/h is available as an option.

Maximum drawbar pull..... 8.700 kg
 Front axle load..... Lower than 7.155 kg
 Rear axle load..... Lower than 7.970 kg
 Axle oscillation 10° Lockable in any position from the operator cab.



BRAKE SYSTEM

Type.....Dual circuit hydraulic braking system supplied from a separate gear pump.

Service brakes..... Pedal actuated wet multi-disc brakes integrated into the axle hubs.

Parking brake Electrically actuated wet multi-disc “spring actuation hydraulic release” brake integrated into the transmission.



STEERING SYSTEM

Steering control.....Hydraulic steering system supplied from a separate gear pump and controlled through LS orbitrol & priority valves.

Minimum turning radius.....6.450 mm (to center of outer wheel)



OPERATING WEIGHT (APPR.)

Operating weight, including specified work equipment, 2.500 mm arm, operator, lubricant, coolant, full fuel tank and the standard equipment. Weights are without bucket.

Undercarriage attachment type	Mono boom	Two-piece boom
Without	12.670 kg	13.050 kg
Rear blade	13.260 kg	13.640 kg
Rear outrigger	13.760 kg	14.110 kg
2 outriggers + blade	14.345 kg	14.700 kg
4 outriggers	14.850 kg	15.200 kg



BUCKET OPTIONS & DIGGING FORCES

Specifications and equipment may vary according to regional availability.

BUCKET AND ARM COMBINATIONS					
Bucket			Arm length		
Width	Capacity (SAE)	Weight	2.100 mm	2.500 mm	3.000 mm
400 mm	0,20 m ³	270 kg	○	○	○
450 mm	0,27 m ³	300 kg	○	○	○
600 mm	0,41 m ³	420 kg	○	○	○
700 mm	0,48 m ³	445 kg	○	○	○
800 mm	0,55 m ³	460 kg	○	○	○
900 mm	0,62 m ³	495 kg	○	○	○
1.000 mm	0,69 m ³	530 kg	○	○	○
1.100 mm	0,76 m ³	550 kg	○	○	□
1.200 mm	0,83 m ³	575 kg	○	□	△
1.300 mm	0,90 m ³	605 kg	□	□	△
1.400 mm	0,97 m ³	630 kg	□	△	-

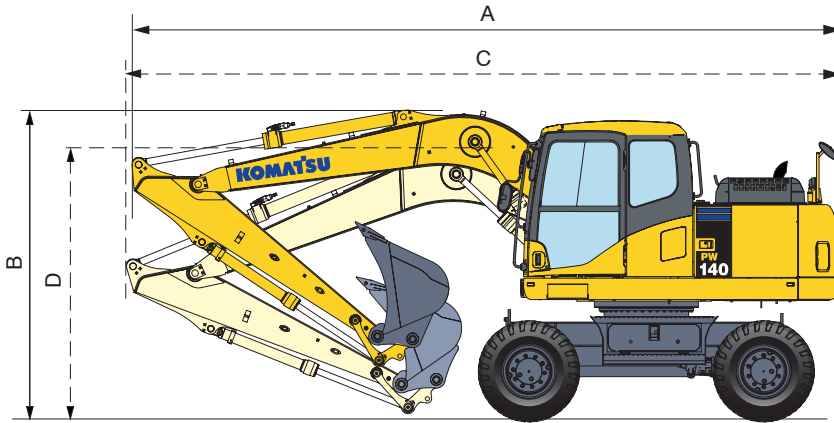
Please consult with your distributor for the correct selection of buckets and attachments to suit the application. The recommendations are given as a guide only, based on typical operating conditions.

- Material weight up to 1,8 t/m³
- Material weight up to 1,5 t/m³
- △ Material weight up to 1,2 t/m³

BUCKET AND ARM FORCE			
Arm length	2.100 mm	2.500 mm	3.000 mm
Bucket digging force	86 kN	86 kN	86 kN
Bucket digging force at PowerMax	93 kN	93 kN	93 kN
Arm crowd force	74 kN	62 kN	52 kN
Arm crowd force at PowerMax	80 kN	67 kN	56 kN

DIMENSIONS

MONO BOOM

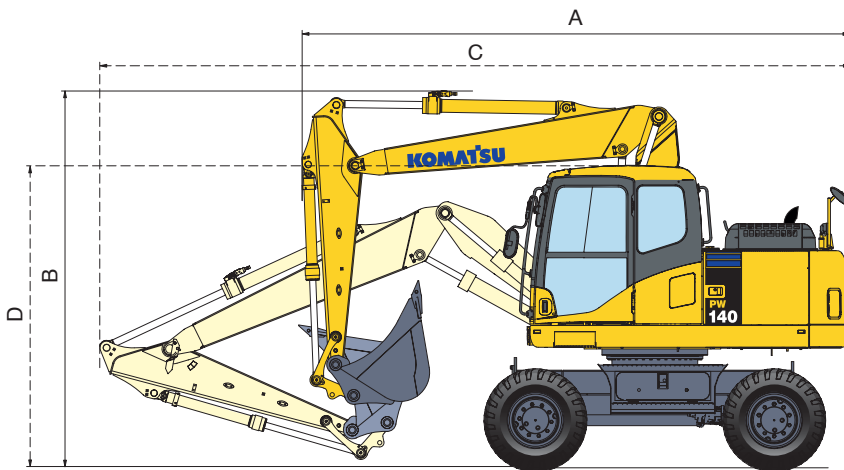


Driving position		
Arm length	A	B
2.100 mm	7.508 mm	3.290 mm
2.500 mm	7.508 mm	3.290 mm
3.000 mm *	7.508 mm	3.290 mm

Transport position		
Arm length	C	D
2.100 mm	7.632 mm	2.930 mm
2.500 mm	7.632 mm	2.930 mm
3.000 mm	7.632 mm	2.930 mm

* Driving position without bucket

TWO-PIECE BOOM

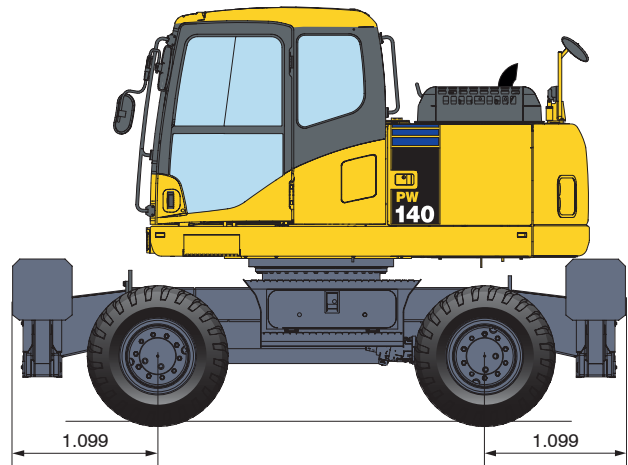
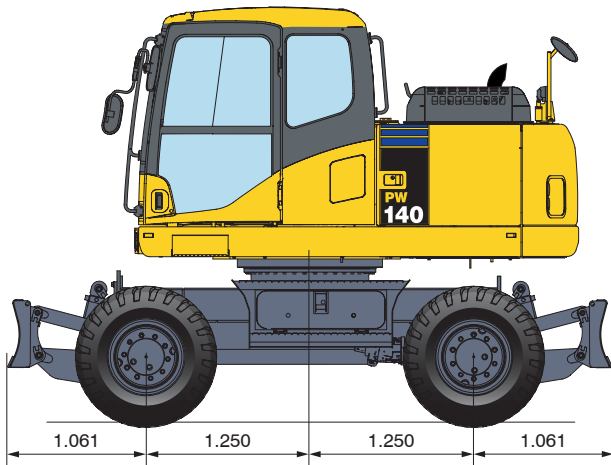
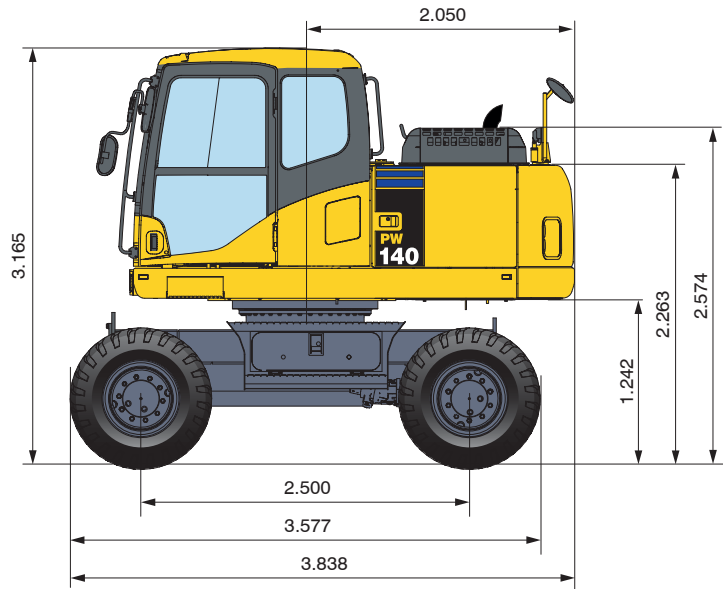
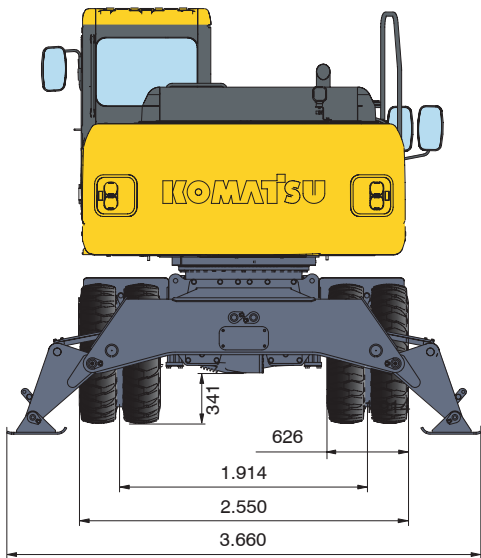


Driving position		
Arm length	A	B
2.100 mm	5.758 mm	3.937 mm
2.500 mm	5.739 mm	3.937 mm
3.000 mm *	5.828 mm	3.968 mm

Transport position		
Arm length	C	D
2.100 mm	7.915 mm	3.165 mm
2.500 mm	7.915 mm	3.165 mm
3.000 mm	7.915 mm	3.165 mm

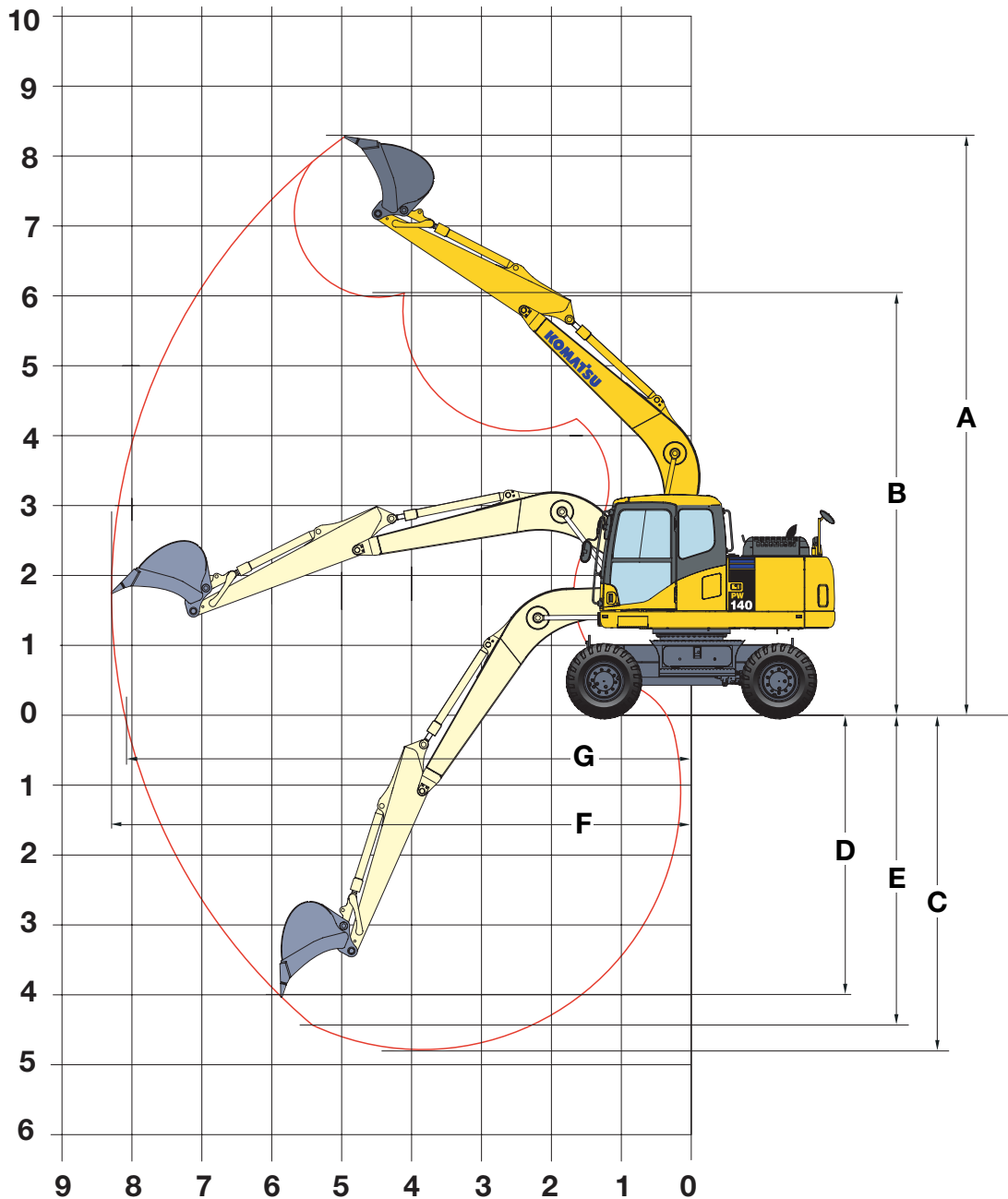
* Driving position without bucket

DIMENSIONS & UNDERCARRIAGE



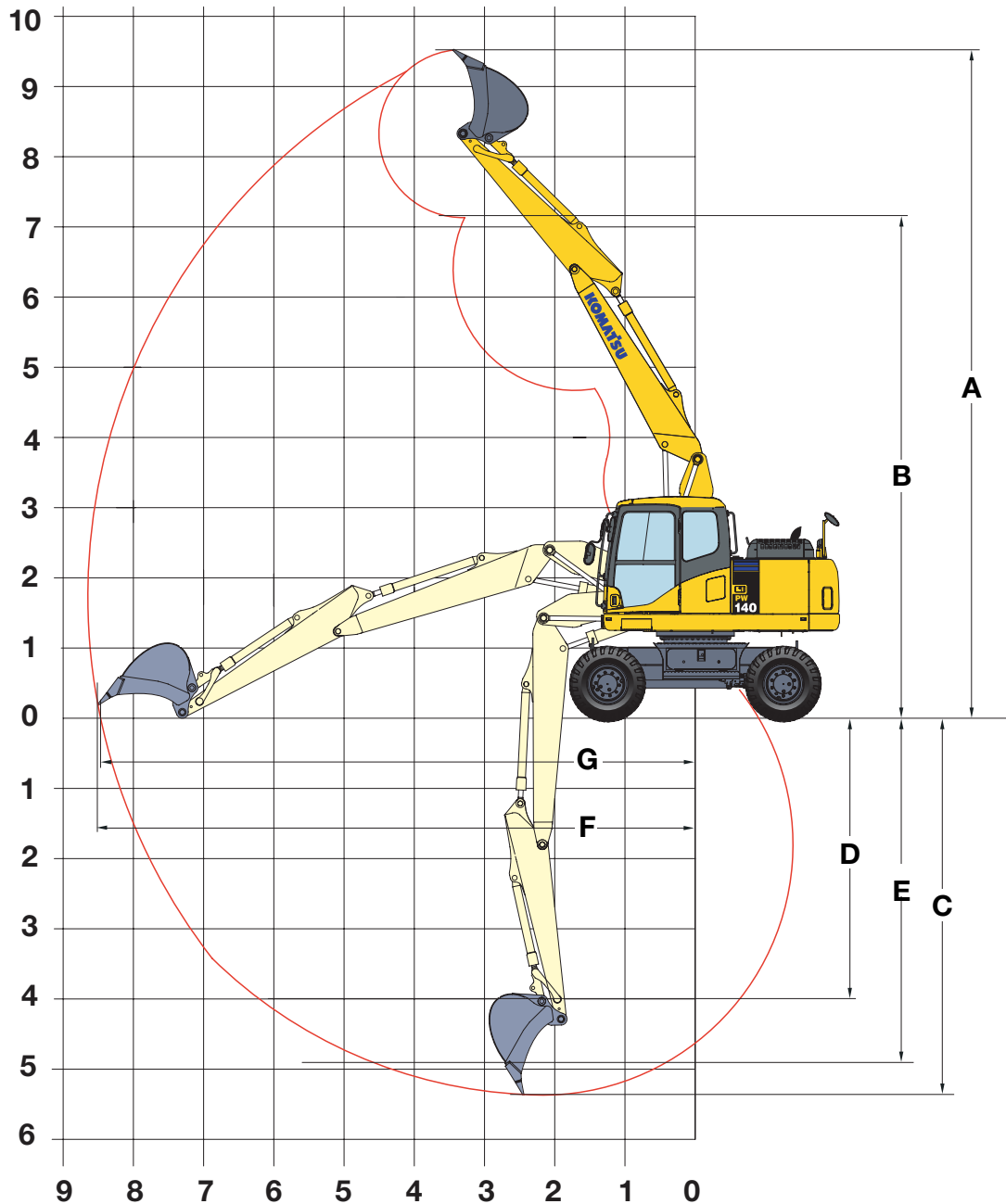
WORKING RANGE

MONO BOOM



ARM LENGTH		2.100 mm	2.500 mm	3.000 mm
A	Max. digging height	7.980 mm	8.270 mm	8.703 mm
B	Max. dumping height	5.731 mm	6.020 mm	6.449 mm
C	Max. digging depth	4.462 mm	4.860 mm	5.362 mm
D	Max. vertical wall digging depth	3.630 mm	4.005 mm	4.470 mm
E	Max. digging depth of cut for 2,44 m level	4.025 mm	4.570 mm	4.955 mm
F	Max. digging reach	7.928 mm	8.290 mm	8.775 mm
G	Max. digging reach at ground level	7.740 mm	8.140 mm	8.640 mm
	Min. swing radius	2.965 mm	2.910 mm	2.925 mm

TWO-PIECE BOOM




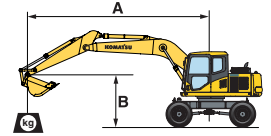
ARM LENGTH		2.100 mm	2.500 mm	3.000 mm
A	Max. digging height	9.228 mm	9.518 mm	9.951 mm
B	Max. dumping height	6.844 mm	7.133 mm	7.562 mm
C	Max. digging depth	4.845 mm	5.245 mm	5.745 mm
D	Max. vertical wall digging depth	3.555 mm	4.000 mm	4.495 mm
E	Max. digging depth of cut for 2,44 m level	4.515 mm	4.935 mm	5.460 mm
F	Max. digging reach	8.268 mm	8.681 mm	9.000 mm
G	Max. digging reach at ground level	7.740 mm	8.140 mm	8.640 mm
	Min. swing radius	2.590 mm	2.670 mm	2.864 mm

LIFTING CAPACITY

MONO BOOM

Arm length	A	7,5 m		6,0 m		4,5 m		3,0 m	

 Without stabilizer	2,1 m	7,5 m kg								
		6,0 m kg	*2.350	2.150						
		4,5 m kg	2.100	1.550						
		3,0 m kg	1.800	1.300		2.400	1.800	4.000	3.050	
		1,5 m kg	1.700	1.200		2.200	1.600	3.500	2.500	*7.750 4.300
		0,0 m kg	1.750	1.250		2.100	1.500	3.300	2.150	*7.250 4.050
	2,5 m	-1,5 m kg	2.000	1.450		2.100	1.500	3.250	2.350	*6.250 3.950
		-3,0 m kg	2.800	2.050				3.350	2.400	*5.650 4.600
		7,5 m kg								
		6,0 m kg	*1.900	1.850						
		4,5 m kg	*1.800	1.400		2.400	1.800			
		3,0 m kg	1.600	1.150		2.350	1.750	3.850	2.850	*7.250 5.700
3,0 m	1,5 m kg	1.550	1.100		2.200	1.600	3.550	2.550	*8.300 4.400	
	0,0 m kg	1.550	1.100		2.100	1.500	3.300	2.200	*7.250 4.050	
	-1,5 m kg	1.800	1.250		2.050	1.450	3.250	2.300	*6.200 3.950	
	-3,0 m kg	2.400	1.700				3.250	2.350	6.500 4.500	
	7,5 m kg									
	6,0 m kg	*1.600	1.500		2.450	1.850				
3,0 m	4,5 m kg	*1.550	1.150		2.450	1.850				
	3,0 m kg	1.400	1.000	1.500	1.050	2.350	1.700	3.850	2.850	
	1,5 m kg	1.300	900	1.450	1.000	2.200	1.600	3.550	2.550	7.050 4.550
	0,0 m kg	1.350	900	1.400	950	2.200	1.600	3.550	2.550	7.050 4.550
	-1,5 m kg	1.500	1.050			2.000	1.400	3.000	2.200	5.650 3.850
	-3,0 m kg	1.900	1.350			2.000	1.400	3.150	2.200	6.300 4.350





- A – Reach from swing center
- B – Bucket hook height
- C – Lifting capacities, including bucket (440 kg), bucket linkage (84 kg) and bucket cylinder (96 kg)

- Rating over front
- Rating over side
- Rating at maximum reach




When removing bucket, linkage or cylinder, lifting capacities can be increased by their respective weights.

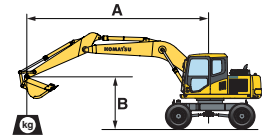
* Load is limited by hydraulic capacity rather than tipping. Ratings are based on SAE Standard No. J1097. Rated loads do not exceed 87% of hydraulic lift capacity or 75% of tipping load.

 Front or rear blade	2,1 m	7,5 m kg								
		6,0 m kg	*2.350	*2.350						
		4,5 m kg	*2.200	1.750						
		3,0 m kg	*2.250	1.500		*3.800	2.000	*4.550	3.400	
		1,5 m kg	*2.450	1.400		*4.450	1.800	*6.050	2.900	*7.750 5.250
		0,0 m kg	*2.900	1.450		*4.450	1.750	*6.150	2.700	*7.250 5.000
	2,5 m	-1,5 m kg	*3.550	1.650		*3.800	1.700	*5.600	2.650	*6.250 5.000
		-3,0 m kg	*3.100	2.300				*3.850	2.750	*5.650 5.250
		7,5 m kg								
		6,0 m kg	*1.900	*1.900						
		4,5 m kg	*1.800	1.550		*3.700	2.050			
		3,0 m kg	*1.850	1.350		*3.950	1.950	*4.850	3.200	*7.250 6.350
3,0 m	1,5 m kg	*2.000	1.250		*4.350	1.800	*5.850	2.900	*8.300 5.400	
	0,0 m kg	*2.300	1.300		*4.450	1.700	*6.100	2.700	*7.250 5.050	
	-1,5 m kg	*2.950	1.450		*4.050	1.700	*5.850	2.650	*6.200 5.000	
	-3,0 m kg	*3.100	1.950				*4.500	2.650	*6.500 5.150	
	7,5 m kg									
	6,0 m kg	*1.600	*1.600		*2.700	2.050				
3,0 m	4,5 m kg	*1.550	1.300		*3.350	2.050				
	3,0 m kg	*1.550	1.150	*2.400	1.200	*3.650	1.950	*4.400	3.250	
	1,5 m kg	*1.650	1.050	*2.950	1.150	*4.150	1.800	*5.500	2.950	*9.550 5.100
	0,0 m kg	*1.900	1.100	*2.650	1.100	*4.350	1.650	*5.950	2.650	*7.500 4.650
	-1,5 m kg	*2.350	1.200			*4.200	1.600	*5.800	2.550	*5.850 4.400
	-3,0 m kg	*2.900	1.550			*3.200	1.600	*4.950	2.550	*6.600 4.950

 Rear outrigger	2,1 m	7,5 m kg									
		6,0 m kg	*2.350	*2.350							
		4,5 m kg	*2.200	*2.200							
		3,0 m kg	*2.250	1900		*4.150	2.450	*5.150	4.000	*8.000	*8.000
		1,5 m kg	*2.450	1800		*4.450	2.350	*6.050	3.750	*7.750	*7.750
		0,0 m kg	*2.900	1900		*4.450	2.250	*6.150	3.550	*7.250	*7.250
	2,5 m	-1,5 m kg	*3.550	2150		*3.800	2.250	*5.600	3.500	*6.250	*6.250
		-3,0 m kg	*3.100	3000				*3.850	3.550	*5.650	*5.650
		7,5 m kg									
		6,0 m kg	*1.900	*1.900							
		4,5 m kg	*1.800	*1.800		*3.700	2.600				
		3,0 m kg	*1.850	1.750		*3.950	2.500	*4.850	4.050	*7.250	*7.250
3,0 m	1,5 m kg	*2.000	1.650		*4.350	2.350	*5.850	3.750	*8.300	*8.300	
	0,0 m kg	*2.300	1.700		*4.450	2.250	*6.100	3.550	*7.250	*7.250	
	-1,5 m kg	*2.950	1.900		*4.050	2.200	*5.850	3.450	*6.200	*6.200	
	-3,0 m kg	*3.100	2.550				*4.500	3.500	*6.500	*6.500	
	7,5 m kg										
	6,0 m kg	*1.600	*1.600		*2.700	2.600					
3,0 m	4,5 m kg	*1.550	*1.550		*3.350	2.650					
	3,0 m kg	*1.550	1.500	*2.400	1.600	*3.650	2.500	*4.400	4.100		
	1,5 m kg	*1.650	1.400	*2.950	1.550	*4.150	2.350	*5.500	3.800	*9.550 6.850	
	0,0 m kg	*1.900	1.450	*2.650	1.500	*4.350	2.200	*5.950	3.500	*7.500	*7.500
	-1,5 m kg	*2.350	1.600			*4.200	2.150	*5.800	3.350	*5.850	*5.850
	-3,0 m kg	*2.900	2.050			*3.200	2.150	*4.950	3.350	*6.600	*6.600

MONO BOOM

Arm length	A	⊗		7,5 m		6,0 m		4,5 m		3,0 m		
		⊗	⊗	⊗	⊗	⊗	⊗	⊗	⊗	⊗	⊗	
B		⊗	⊗	⊗	⊗	⊗	⊗	⊗	⊗	⊗	⊗	
 <p>Outrigger + blade</p>	2,1 m	7,5 m	kg									
		6,0 m	kg	*2.350	*2.350							
		4,5 m	kg	*2.200	*2.200							
		3,0 m	kg	*2.250	*2.250			*3.800	3.050	*4.550	*4.550	
		1,5 m	kg	*2.450	2.200			*4.150	2.950	*5.150	4.800	*8.000
		0,0 m	kg	*2.900	2.300			*4.450	2.850	*6.050	4.500	*7.750
	2,5 m	- 1,5 m	kg	*3.550	2.650			*3.800	2.750	*5.600	4.250	*6.250
		- 3,0 m	kg	*3.100	*3.100					*3.850	*3.850	*5.650
		7,5 m	kg									
		6,0 m	kg	*1.900	*1.900							
		4,5 m	kg	*1.800	*1.800			*3.700	3.100			
		3,0 m	kg	*1.850	*1.850			*3.950	3.000	*4.850	4.850	*7.250
3,0 m	1,5 m	kg	*2.000	*2.000			*4.350	2.850	*5.850	4.550	*8.300	
	0,0 m	kg	*2.300	2.100			*4.450	2.750	*6.100	4.300	*7.250	
	- 1,5 m	kg	*2.950	2.350			*4.050	2.700	*5.850	4.250	*6.200	
	- 3,0 m	kg	*3.100	3.100					*4.500	4.250	*6.500	
	7,5 m	kg										
	6,0 m	kg	*1.600	*1.600			*2.700	*2.700				
 <p>Outrigger front + rear</p>	2,1 m	4,5 m	kg	*1.550	*1.550			*3.350	3.100			
		3,0 m	kg	*1.550	*1.550	*2.400	1.950	*3.650	3.000	*4.400	*4.400	
		1,5 m	kg	*1.650	*1.650	*2.950	1.900	*4.150	2.850	*5.500	4.550	*9.550
		0,0 m	kg	*1.900	1.800	*2.650	1.850	*4.350	2.700	*5.950	4.300	*7.500
		- 1,5 m	kg	*2.350	2.000			*4.200	2.600	*5.800	4.150	*5.850
		- 3,0 m	kg	*2.900	2.550			*3.200	2.650	*4.950	4.150	*6.600
	2,5 m	7,5 m	kg									
		6,0 m	kg	*1.900	*1.900							
		4,5 m	kg	*1.800	*1.800			*3.700	*3.700			
		3,0 m	kg	*1.850	*1.850			*3.950	3.900	*4.850	*4.850	*7.250
		1,5 m	kg	*2.000	*2.000			*4.350	3.750	*5.850	*5.850	*8.300
		0,0 m	kg	*2.300	*2.300			*4.450	3.650	*6.100	5.850	*7.250
3,0 m	- 1,5 m	kg	*2.950	*2.950			*4.050	3.600	*5.850	5.750	*6.200	
	- 3,0 m	kg	*3.100	*3.100					*4.500	*4.500	*6.500	
	7,5 m	kg										
	6,0 m	kg	*1.600	*1.600			*2.700	*2.700				
	4,5 m	kg	*1.550	*1.550			*3.350	*3.350				
	3,0 m	kg	*1.550	*1.550	*2.400	*2.400	*3.650	*3.650	*4.400	*4.400		
 <p>Outrigger front + rear</p>	2,1 m	1,5 m	kg	*1.650	*1.650	*2.950	2.550	*4.150	3.750	*5.500	*5.500	
		0,0 m	kg	*1.900	*1.900	*2.650	2.500	*4.350	3.600	*5.950	5.800	*7.500
		- 1,5 m	kg	*2.350	*2.350			*4.200	3.500	*5.800	5.650	*5.850
		- 3,0 m	kg	*2.900	*2.900			*3.200	*3.200	*4.950	*4.950	*6.600
		7,5 m	kg									
		6,0 m	kg	*1.600	*1.600			*2.700	*2.700			
	2,5 m	4,5 m	kg	*1.550	*1.550			*3.350	*3.350			
		3,0 m	kg	*1.550	*1.550	*2.400	*2.400	*3.650	*3.650	*4.400	*4.400	
		1,5 m	kg	*1.650	*1.650	*2.950	2.550	*4.150	3.750	*5.500	*5.500	*9.550
		0,0 m	kg	*1.900	*1.900	*2.650	2.500	*4.350	3.600	*5.950	5.800	*7.500
		- 1,5 m	kg	*2.350	*2.350			*4.200	3.500	*5.800	5.650	*5.850
		- 3,0 m	kg	*2.900	*2.900			*3.200	*3.200	*4.950	*4.950	*6.600



A – Reach from swing center

B – Bucket hook height

C – Lifting capacities, including bucket (440 kg), bucket linkage (84 kg) and bucket cylinder (96 kg)

⊗ – Rating over front

⊗ – Rating over side

⊗ – Rating at maximum reach


When removing bucket, linkage or cylinder, lifting capacities can be increased by their respective weights.


* Load is limited by hydraulic capacity rather than tipping. Ratings are based on SAE Standard No. J1097. Rated loads do not exceed 87% of hydraulic lift capacity or 75% of tipping load.


LIFTING CAPACITY

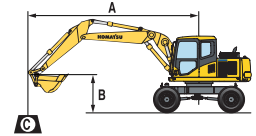
TWO-PIECE BOOM

Arm length	A	⊗		7,5 m		6,0 m		4,5 m		3,0 m	
		🔧	🔧	🔧	🔧	🔧	🔧	🔧	🔧	🔧	🔧
	B										

 Without stabilizer	2,1 m	7,5 m	kg	*2.850	*2.850									
		6,0 m	kg	*2.350	1.800					4.100	3.150			
		4,5 m	kg	1.850	1.350			2.350	1.750	3.800	3.000			
		3,0 m	kg	1.600	1.150			2.250	1.650	3.700	2.750			
		1,5 m	kg	1.500	1.050			2.150	1.550	3.400	2.450			
		0,0 m	kg	1.550	1.100			2.050	1.450	3.200	2.300	*6.250	4.300	
	-1,5 m	kg	1.800	1.250			2.050	1.450	3.200	2.250	*6.150	3.950		
	-3,0 m	kg												
	2,5 m	7,5 m	kg	*2.250	*2.250					*3.500	3.150			
		6,0 m	kg	*1.900	1.550			2.450	1.800					
		4,5 m	kg	1.650	1.200			2.400	1.800	3.950	3.050			
		3,0 m	kg	1.450	1.000	1.500	1.050	2.300	1.700	3.750	2.800	7.600	5.450	
1,5 m		kg	1.350	950	1.450	1.000	2.150	1.550	3.450	2.500				
0,0 m		kg	1.400	950	1.400	1.000	2.050	1.450	3.200	2.300	*6.650	3.900		
-1,5 m	kg	1.600	1.100			2.000	1.400	3.150	2.250	*6.050	4.300			
-3,0 m	kg							3.200	2.300					
3,0 m	7,5 m	kg	*1.900	*1.900										
	6,0 m	kg	*1.650	1.250			2.450	1.850						
	4,5 m	kg	1.400	1.000	1.500	1.100	2.400	1.800	*3.500	3.100				
	3,0 m	kg	1.250	850	1.500	1.050	2.300	1.700	3.800	2.850	*6.800	5.700		
	1,5 m	kg	1.150	800	1.400	950	2.150	1.550	3.450	2.500				
	0,0 m	kg	1.200	800	1.350	900	2.000	1.400	3.200	2.250	*6.800	4.250		
-1,5 m	kg	1.350	900	1.350	900	1.950	1.350	3.050	2.150	*5.550	4.150			
-3,0 m	kg	1.650	1.150			1.950	1.350	3.050	2.150	6.200	4.250			

 Front or rear blade	2,1 m	7,5 m	kg	*2.850	*2.850									
		6,0 m	kg	*2.350	2.000					*4.250	3.450			
		4,5 m	kg	*2.200	1.500			*3.850	1.950	*4.650	3.200			
		3,0 m	kg	*2.250	1.300			*4.150	1.900	*5.400	3.050			
		1,5 m	kg	*2.400	1.200			*4.400	1.750	*6.050	2.750			
		0,0 m	kg	*2.700	1.250			*4.350	1.650	*6.050	2.600	*6.250	4.950	
	-1,5 m	kg	*3.050	1.450			*3.750	1.650	*5.400	2.550	*6.150	4.950		
	-3,0 m	kg												
	2,5 m	7,5 m	kg	*2.250	*2.250					*3.500	3.450			
		6,0 m	kg	*1.900	1.750			*3.100	2.050					
		4,5 m	kg	*1.800	1.350			*3.700	1.950	*4.350	3.200			
		3,0 m	kg	*1.800	1.150	*2.550	1.200	*4.000	1.900	*5.150	3.100	*7.800	6.100	
1,5 m		kg	*1.950	1.100	*3.300	1.150	*4.300	1.750	*5.900	2.800				
0,0 m		kg	*2.150	1.150	*2.450	1.150	*4.350	1.650	*6.100	2.600	*6.650	4.900		
-1,5 m	kg	*2.650	1.300			*3.950	1.650	*5.600	2.550	*6.050	4.900			
-3,0 m	kg							*4.300	2.600					
3,0 m	7,5 m	kg	*1.900	*1.900										
	6,0 m	kg	*1.650	1.450			*3.150	2.050						
	4,5 m	kg	*1.550	1.150	*2.400	1.250	*3.400	1.950	*3.500	3.400				
	3,0 m	kg	*1.550	1.000	*3.150	1.200	*3.750	1.900	*4.700	3.100	*6.800	6.350		
	1,5 m	kg	*1.650	900	*3.250	1.150	*4.100	1.700	*5.550	2.750				
	0,0 m	kg	*1.800	950	*3.200	1.100	*4.300	1.650	*6.000	2.450	*6.800	4.850		
-1,5 m	kg	*2.150	1.050	*2.500	1.050	*4.050	1.550	*5.750	2.350	*5.550	4.750			
-3,0 m	kg	*2.350	1.350			*3.200	1.550	*4.750	2.350	*6.350	4.850			

 Rear outrigger	2,1 m	7,5 m	kg	*2.850	*2.850									
		6,0 m	kg	*2.350	*2.350					*4.250	*4.250			
		4,5 m	kg	*2.200	1.950			*3.850	2.500	*4.650	3.950			
		3,0 m	kg	*2.250	1.700			*4.150	2.450	*5.400	3.900			
		1,5 m	kg	*2.400	1.600			*4.400	2.250	*6.050	3.600			
		0,0 m	kg	*2.700	1.700			*4.350	2.200	*6.050	3.450	*6.250	*6.250	
	-1,5 m	kg	*3.050	1.900			*3.750	2.200	*5.400	3.400	*6.150	*6.150		
	-3,0 m	kg												
	2,5 m	7,5 m	kg	*2.250	*2.250					*3.500	*3.500			
		6,0 m	kg	*1.900	*1.900			*3.100	2.600					
		4,5 m	kg	*1.800	1.750			*3.700	2.500	*4.350	4.050			
		3,0 m	kg	*1.800	1.550	*2.550	1.600	*4.000	2.450	*5.150	3.950	*7.800	*7.800	
1,5 m		kg	*1.950	1.500	*3.300	1.550	*4.300	2.300	*5.900	3.650				
0,0 m		kg	*2.150	1.500	*2.450	1.550	*4.350	2.200	*6.100	3.450	*6.650	*6.650		
-1,5 m	kg	*2.650	1.700			*3.950	2.150	*5.600	3.400	*6.050	*6.050			
-3,0 m	kg							*4.300	3.450					
3,0 m	7,5 m	kg	*1.900	*1.900										
	6,0 m	kg	*1.650	*1.650			*3.150	2.650						
	4,5 m	kg	*1.550	1.500	*2.400	1.650	*3.400	2.550	*3.500	*3.500				
	3,0 m	kg	*1.550	1.350	*3.150	1.600	*3.750	2.450	*4.700	4.000	*6.800	*6.800		
	1,5 m	kg	*1.650	1.250	3.250	1.550	*4.100	2.250	*5.550	3.650				
	0,0 m	kg	*1.800	1.300	3.200	1.450	*4.300	2.100	*6.000	3.300	*6.800	*6.800		
-1,5 m	kg	*2.150	1.450	*2.500	1.450	*4.050	2.100	*5.750	3.200	*5.550	*5.550			
-3,0 m	kg	*2.350	1.800			*3.200	2.100	*4.750	3.200	*6.350	*6.350			





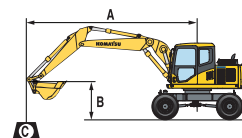
- A – Reach from swing center
- B – Bucket hook height
- C – Lifting capacities, including bucket (440 kg), bucket linkage (84 kg) and bucket cylinder (96 kg)
- 🔧 – Rating over front
- 🔧 – Rating over side
- ⊗ – Rating at maximum reach

When removing bucket, linkage or cylinder, lifting capacities can be increased by their respective weights.

* Load is limited by hydraulic capacity rather than tipping. Ratings are based on SAE Standard No. J1097. Rated loads do not exceed 87% of hydraulic lift capacity or 75% of tipping load.

TWO-PIECE BOOM

Arm length	A	⊗		7,5 m		6,0 m		4,5 m		3,0 m		
		⊗	⊗	⊗	⊗	⊗	⊗	⊗	⊗	⊗	⊗	
 <p>Outrigger + blade</p>	2,1 m	7,5 m kg	*2.850	*2.850								
		6,0 m kg	*2.350	*2.350					*4.250	*4.250		
		4,5 m kg	*2.200	*2.200			*3.850	3000	*4.650	*4.650		
		3,0 m kg	*2.250	2100			*4.150	2900	*5.400	4700		
		1,5 m kg	*2.400	2000			*4.400	2750	*6.050	4400		
		0,0 m kg	*2.700	2050			*4.350	2700	*6.050	4200	*6.250	*6.250
	- 1,5 m kg	*3.050	2350			*3.750	2700	*5.400	4150	*6.150	*6.150	
	- 3,0 m kg											
	2,5 m	7,5 m kg	*2.250	*2.250					*3.500	*3.500		
		6,0 m kg	*1.900	*1.900			*3.100	3.100				
		4,5 m kg	*1.800	*1.800			*3.700	3.000	*4.350	*4.350		
		3,0 m kg	*1.800	*1.800	*2.550	1.950	*4.000	2.950	*5.150	4.700	*7800	*7800
		1,5 m kg	*1.950	1.800	*3.300	1.900	*4.300	2.800	*5.900	4.450		
		0,0 m kg	*2.150	1.850	*2.450	1.900	*4.350	2.700	*6.100	4.250	*6.650	*5.350
	- 1,5 m kg	*2.650	2.100			*3.950	2.650	*5.600	4.150	*6.050	*6.050	
	- 3,0 m kg							*4.300	4.200			
	3,0 m	7,5 m kg	*1.900	*1.900								
		6,0 m kg	*1.650	*1.650			*3.150	3.150				
4,5 m kg		*1.550	*1.550	*2.400	2.000	*3.400	3.050	*3.500	*3.500			
3,0 m kg		*1.550	*1.550	*3.150	1.950	*3.750	2.950	*4.700	*4.700	*6.800	*6.800	
1,5 m kg		*1.650	1.600	*3.250	1.900	*4.100	2.750	*5.500	4.400			
0,0 m kg		*1.800	1.600	*3.200	1.850	*4.300	2.600	*6.000	4.100	*6.800	*6.800	
- 1,5 m kg	*2.150	1.800	*2.500	1.800	*4.050	2.600	*5.750	3.950	*5.550	*5.550		
- 3,0 m kg	*2.350	2.200			*3.200	2.600	*4.750	4.000	*6.350	*6.350		
 <p>Outrigger front + rear</p>	2,1 m	7,5 m kg	*2.850	*2.850								
		6,0 m kg	*2.350	*2.350					*4.250	*4.250		
		4,5 m kg	*2.200	*2.200			*3.850	*3.850	*4.650	*4.650		
		3,0 m kg	*2.250	*2.250			*4.150	3850	*5.400	*5.400		
		1,5 m kg	*2.400	*2.400			*4.400	3650	*6.050	5900		
		0,0 m kg	*2.700	*2.700			*4.350	3550	*6.050	5700	*6.250	*6.250
	- 1,5 m kg	*3.050	*3.050			*3.750	3550	*5.400	*5.400	*6.150	*6.150	
	- 3,0 m kg											
	2,5 m	7,5 m kg	*2.250	*2.250					*3.500	*3.500		
		6,0 m kg	*1.900	*1.900			*3.100	*3.100				
		4,5 m kg	*1.800	*1.800			*3.700	*3.700	*4.350	*4.350		
		3,0 m kg	*1.800	*1.800	*2.550	*2.550	*4.000	3.850	*5.150	*5.150	*7800	*7800
		1,5 m kg	*1.950	*1.950	*3.300	2.550	*4.300	3.700	*5.900	*5.900		
		0,0 m kg	*2.150	*2.150	*2.450	*2.450	*4.350	3.600	*6.100	5.750	*6.650	*6.650
	- 1,5 m kg	*2.650	*2.650			*3.950	3.550	*5.600	*5.600	*6.050	*6.050	
	- 3,0 m kg							*4.300	*4.300			
	3,0 m	7,5 m kg	*1.900	*1.900								
		6,0 m kg	*1.650	*1.650			*3.150	*3.150				
4,5 m kg		*1.550	*1.550	*2.400	*2.400	*3.400	*3.400	*3.500	*3.500			
3,0 m kg		*1.550	*1.550	*3.150	2.600	*3.750	*3.750	*4.700	*4.700	*6.800	*6.800	
1,5 m kg		*1.650	*1.650	*3.250	2.550	*4.100	3.650	*5.500	*5.500			
0,0 m kg		*1.800	*1.800	*3.200	2.450	*4.300	3.500	*6.000	5.600	*6.800	*6.800	
- 1,5 m kg	*2.150	*2.150	*2.500	2.450	*4.050	3.450	*5.750	5.500	*5.550	*5.550		
- 3,0 m kg	*2.350	*2.350			*3.200	*3.200	*4.750	*4.750	*6.350	*6.350		



A – Reach from swing center

B – Bucket hook height

C – Lifting capacities, including bucket (440 kg), bucket linkage (84 kg) and bucket cylinder (96 kg)

⊗ – Rating over front

⊗ – Rating over side

⊗ – Rating at maximum reach

When removing bucket, linkage or cylinder, lifting capacities can be increased by their respective weights.

* Load is limited by hydraulic capacity rather than tipping. Ratings are based on SAE Standard No. J1097. Rated loads do not exceed 87% of hydraulic lift capacity or 75% of tipping load.

HYDRAULIC WHEELED EXCAVATOR

STANDARD EQUIPMENT

- Komatsu SAA4D107E-3, 90,0 kW turbocharged common rail direct injection diesel engine, EU Stage IIIA compliant
- Double element type air cleaner with dust indicator and auto dust evacuator
- Suction type cooling fan
- Automatic fuel line de-aeration
- Engine key stop
- Engine ignition can be password secured on request
- Engine overheat prevention system
- Auto-deceleration function
- Automatic engine warm-up system
- Alternator 24 V/60 A
- Batteries 2 × 12 V/120 Ah
- Starter motor 24 V/4,5 kW
- Standard counterweight
- Electronic closed-centre load sensing (E-CLSS) hydraulic system (HydrauMind)
- Pump and engine mutual control (PEMC) system
- Multi-function colour monitor with equipment management monitoring system (EMMS)
- 4-working mode selection system; Power mode, economy mode, breaker mode and lifting mode
- PowerMax function
- Adjustable PPC wrist control levers for arm, boom, bucket and swing
- Additional hydraulic circuit (HCU-B)
- Fully automatic 3-speed transmission driving through front and rear planetary axles
- Orbitrol type hydraulic steering acting on front wheels
- Oscillating front axle (10°) with automatic and manual cylinder locking
- Dual circuit hydraulic brakes with outboard wet multi-disc service brakes
- Spring actuated park brake (hydraulic release) incorporated into transmission
- SpaceCab™, highly pressurized and tightly sealed viscous mounted cab with tinted safety glass windows, pull-up type front window with locking device, heated rear window, removable lower window, front window wiper with intermittent feature, sun blind roller, magazine rack behind seat, 12 V power supply, cigarette lighter, ashtray, floor mat, machine cab handrails, suspension seat with tiltable left hand console, automatic weight adjustment, adjustable arm rests and retractable seat belt, hot and cool box
- KOMTRAX™ Komatsu Tracking System
- Parts book and operator manual
- Lockable fuel cap and covers
- Fuel supply pump
- Overload warning device
- Boom safety valves
- Climate control/Air conditioning
- Centralised greasing system
- Radio cassette preparation
- Toolkit and spare parts for first service
- Single chassis tool box
- Standard colour scheme and decals

OPTIONAL EQUIPMENT

- Mono boom
- Two-piece boom
- 2,1 m; 2,5 m; 3,0 m arms
- Additional hydraulic circuit (HCU-C)
- Parallel blade (front and/or rear)
- 2 or 4 outriggers with cylinder protection
- Four sets of tyre and rim (twin tyre) 10.00-20 14 PR
- Four sets of tyre and rim (single tyre) 18.00-19.5
- Nokian twin tyres 10-20
- Automatic greasing system
- Quick-coupler piping
- Komatsu quick couplers
- Komatsu buckets
- Transmission guard
- Clamshell grip bar
- Adjust cylinder safety valve
- Arm cylinder safety valve
- Heated air suspension seat
- Radio-cassette
- Lower wiper
- OPG Level II front guard (FOPS)
- OPG Level II top guard (FOPS)
- Additional RH boom lamp
- Beacon + rear facing cab lamp
- Additional large capacity cab roof lights (2)
- Bio oil
- Dozer blade cylinder guard
- Rain visor (not for use with OPG)
- Additional chassis tool box
- Customized paint

KOMATSU

Komatsu Europe International NV

Mechelsesteenweg 586
B-1800 VILVOORDE (BELGIUM)
Tel. +32-2-255 24 11
Fax +32-2-252 19 81
www.komatsueurope.com