

Compact Crawler Excavator

OPERATING WEIGHT	7,720 – 7,980 lbs (3,500 – 3,620 kg)
NET ENGINE POWER	32.5 hp (23.8 kW)
MAX DIG DEPTH	11' 10" (3.6 m)
MAX REACH	18' 9" (5.7 m)



COMPACT CRAWLER EXCAVATOR
TC35/TC35E

Operating Data, Standard Equipment

Operating weight (rubber crawlers)	7,720 lbs (3,500 kg)
Operating weight (steel crawlers)	7,980 lbs (3,620 kg)
Overall length (travel position)	10' 8" (3.3 m)
Overall height (travel position)	11' 5" (3.5 m)
Total length (trailer transport position)	16' 9" (5.1 m)
Total height (top of cab)	8' 3" (2.5 m)
Total width (uppercarriage)	4' 6" (1.4 m)
Total width (undercarriage)	4' 9" (1.5 m)
Uppercarriage tailswing	4' 4" (1.3 m)
Working envelope (180° / 360°)	9' 7" / 10' 6" (3.0 / 3.2 m)
Ground clearance	12" (300 mm)
Bucket digging force (SAE J 1179)*	8,026 lbs (35,701 N)
Stick digging force (SAE J 1179)*	3,645 lbs (16,200 N)
Ground pressure (rubber crawlers)	4.4 psi (0.31 daN/cm ²)
Ground pressure (steel crawlers)	4.5 psi (0.32 daN/cm ²)

*Standard equipment, may vary with different bucket and/or dipperstick.

Specifications

Engine	
Manufacturer, model	Mitsubishi, S 4L
Type	4-cylinder diesel engine
Combustion	4-stroke, swirl chamber injection
Displacement	107 in ³ (1.76 L)
Net power rating at 2,100 rpm (SAE J 1349)	32.5 hp (23.8 kW)
Cooling system	Water

Electrical System	
Nominal voltage	12 V
Battery	12 V / 74 Ah

Power Transmission	
Two-stage hydrostatic travel drive with axial piston variable displacement motor and reduction gear (fully enclosed). Brake valve for downhill drive.	
Travel speeds (forward and reverse):	
1st speed range / 2nd speed range	0-1.7 / 2.9 mph (0-2.7 / 4.6 km/h)
Gradeability	60%
Drawbar pull, 1st speed range	6,975 lbs (3,100 daN)
Travel motion alarm (acoustic signal) as standard.	

Undercarriage	
Maintenance-friendly crawler-type undercarriage. Idler suspension with hydraulic crawler tensioning.	
Width rubber crawlers / steel crawlers	12" / 12" (300 / 300 mm)
Tread width	3' 9" (1.2 m)
Total length (sprocket - idler)	5' 1" (1.6 m)
Total length (undercarriage)	6' 6" (2.0 m)

Dozer Blade	
Dozer blade available in "standard" and "extra-long" version (referring to distance crawler - dozer blade), independent of drive train and sensitive control via hand lever.	
Width x height	59" x 14" (1,510 x 360 mm)
Cut below ground (standard/extra-long)	12.6"/11.7" (320/298 mm)
Lift above ground (standard/extra-long)	8"/17.6" (202/447 mm)
Slope angle (standard/extra-long)	22.5° / 31°
Slope balance (standard/extra-long)	9.7° / 7.7°

Steering	
Independent control of tracks via hand controls or foot pedals.	

Swing System	
Hydrostatic drive. Internally toothed ring gear.	
Swing speed	0 - 10.5 rpm
Swing brake: Hydrostatic drive also provides dynamic braking. Additional spring-loaded multi-disc brake automatically acting when the swing control lever is in neutral position.	



Hydraulic System

LS-axial-piston variable displacement pump, load-sensing and load-independent flow division (LUDV) for all work functions and travel drive, 3 simultaneous movements possible.	
Working pressure	3,625 psi (250 bar)
Variable pump capacity maximum	26 gpm (99 Lpm)
Return line filter with electric contamination indicator. Compact hydraulic oil radiator provided as standard. Boom, dipperstick and articulated cylinders with end-position damping on both sides, bucket retract function with one-side end-position damping.	
Additional control circuit for work attachments provided as standard.	
Maximum working pressure	3,050 psi (210 bar)
Hydraulic power	12 gpm (45 Lpm) @ 2,750 psi (180 bar) 11 gpm (40 Lpm) @ 3,050 psi (210 bar)
Open return as standard on HR16 and optional on HR16E. All functions can be activated proportionally.	
Two servo-assisted four-way control levers for excavator operations.	
Safety cut-off of all functions as soon as driver leaves cab.	
HR16 has metric hydraulic hose fittings. HR16E has J.I.C. fittings.	

Knickmatik®

Lateral parallel adjustment of boom arrangement at full digging depth.	
Angle of artic./ lateral adjustment left	60°/18" (60°/445 mm)
Angle of artic./ lateral adjustment right	60°/23" (60°/595 mm)

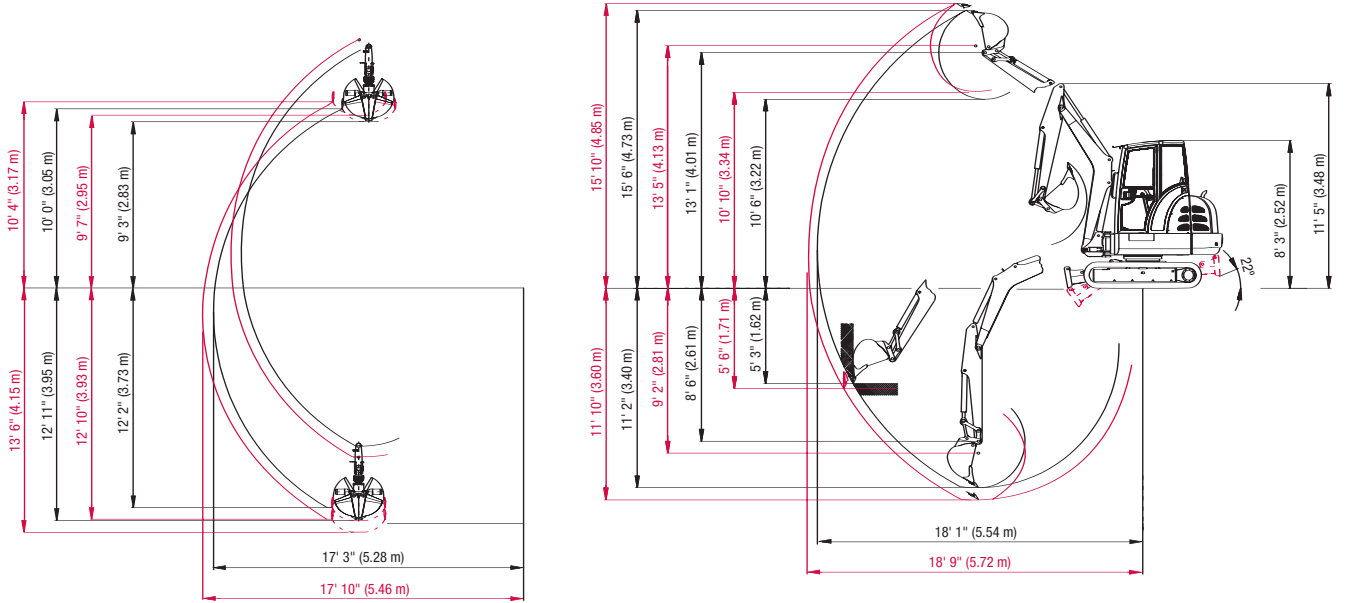
Cab (Optional)

Spacious, sound-insulated full-vision steel cab with two equally large doors. TOPS certified. Safety glass windows. Thermo windows tinted in green. Skylight thermo window. Front window supported by pneumatic springs, lockable in place for ventilation and slideable under cab roof. Windshield washer. Glove box. Instrument panel, on the right side of the operator's seat with visual and acoustic warning device. Left-hand, outside rear-view mirror. Cab heating with windshield defroster through coolant heat exchanger and 2-setting fan and ventilating mode in summer. Fabric-covered, hydraulically cushioned operator's seat with height-adjustable armrests, height, tilt and weight adjustments and lap belt.	
Working floodlight Halogen H-3.	
Noise emission ambience LWA/Noise emission cab LpA	97/79 dB (A)

Fluid Capacities

Fuel tank	13.7 gal (52 L)
Hydraulic system	24 gal (91 L)

Working Ranges & Dimensions



— Dipperstick 63" (1.6 m)
— Dipperstick 71" (1.8 m)

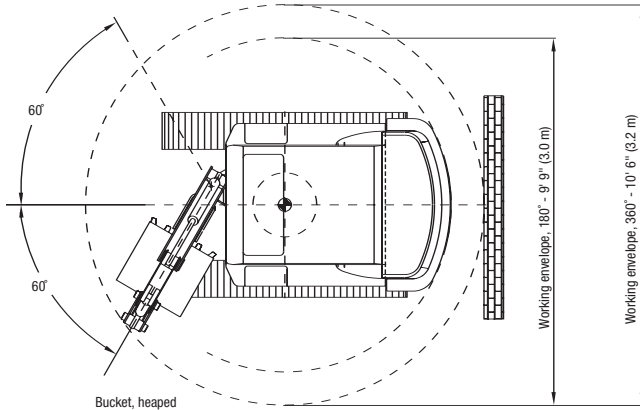
Lifting Capacities: 63" (1.6 m) Dipperstick

Unit: x 1,000 lbs (Metric tons)		Load radius from the center of the ring gear											
Bucket hinge pin height	6' 7" (2.0 m)		8' 2" (2.5 m)		9' 10" (3.0 m)		11' 6" (3.5 m)		13' 1" (4.0 m)		14' 9" (4.5 m)		
	End	Side	End	Side	End	Side	End	Side	End	Side	End	Side	
6' 7" (2.0 m)													
Supported by blade	—	—	2.42 (1.10)	2.35 (1.07)	2.27 (1.03)	1.80 (0.82)	2.16 (0.98)	1.39 (0.63)	2.00 (0.91)	1.12 (0.51)	1.80 (0.82)	0.92 (0.42)	
Traveling	—	—	2.35 (1.07)	2.20 (1.00)	2.09 (0.95)	1.72 (0.78)	1.36 (0.62)	1.32 (0.60)	1.21 (1.55)	1.08 (0.49)	0.92 (0.42)	0.86 (0.39)	
3' 3" (1.0 m)													
Supported by blade	5.57 (2.53)	2.97 (1.35)	4.09 (1.86)	2.16 (0.98)	3.06 (1.39)	1.67 (0.76)	2.53 (1.15)	1.32 (0.60)	1.21 (0.96)	1.08 (0.49)	1.83 (0.83)	0.86 (0.40)	
Traveling	3.19 (1.45)	2.79 (1.27)	2.22 (1.01)	2.05 (0.93)	1.74 (0.79)	1.58 (0.72)	1.30 (0.59)	1.25 (0.57)	1.06 (0.48)	1.01 (0.46)	0.88 (0.40)	0.84 (0.38)	
0													
Supported by blade	4.40 (2.00)	2.44 (1.11)	4.18 (1.90)	1.98 (0.90)	3.17 (1.44)	1.56 (0.71)	2.51 (1.14)	1.25 (0.57)	2.05 (0.93)	1.03 (0.47)	1.67 (0.76)	0.86 (0.39)	
Traveling	2.53 (1.15)	2.35 (1.07)	1.98 (0.90)	1.85 (0.84)	1.56 (0.71)	1.47 (0.67)	1.23 (0.56)	1.19 (0.54)	1.08 (0.49)	0.97 (0.44)	0.90 (0.41)	0.84 (0.38)	
- 3' 3" (- 1.0 m)													
Supported by blade	2.75 (1.25)	2.64 (1.20)	3.17 (1.44)	1.80 (0.82)	2.60 (1.18)	1.43 (0.65)	2.29 (1.04)	1.19 (0.54)	1.78 (0.81)	1.03 (0.47)	—	—	
Traveling	2.38 (1.08)	2.31 (1.05)	1.78 (0.81)	1.69 (0.77)	1.30 (0.59)	1.34 (0.61)	1.25 (0.57)	1.15 (0.52)	1.12 (0.51)	0.95 (0.43)	—	—	

The above loads (all values in lbs x 1,000 resp. metric tons) are in compliance with SAE J 1097. They do not exceed 87% of hydraulic lifting capacity or 75% of tipping capacity. All values were determined with quick-attach system but without bucket. In case of mounted-on work attachments, the deadweights of the work attachments must be deducted from the permissible payloads. Work equipment: Rubber crawlers, dipperstick 63" (1.6 m).

Compact Crawler Excavator TC35/TC35E

Working Envelope / Top View



Work equipment: 63" (1.6 m) dipperstick

Attachments / Accessories

Optional Accessories

Mechanical quick-coupler system for work tools (QMH)	
Luxury height-adjustable operator's seat with extra-high back rest progressively adjustable to operator's weight. Seating has tilt and lengthwise adjustment.	
Dipperstick	71" (1.8 m)
Cab-mounted working floodlight (front and rear)	
Boom-mounted working floodlight	
Crane loading wire-rope harness	
Track shoes with "Felasto" tiles	
Quick-change adapter for hydraulic hammer	
Filling with biodegradable hydraulic oil, ester-based, VI 68	
Immobilizer (anti-theft device)	
Dozer blade float	

Attachments / Accessories

Optional Accessories (TC35E only)

Open (pressureless) hydraulic return
Bucket quick-attach coupler

Attachments

	TC35	TC35E
Open return	std.	opt.
Two way auxiliary hydraulics	std.	n.a.
Bucket quick-attach	std.	opt.
Direct pin-on buckets	opt.	std.
Floor mat	std.	n.a.
Single auxiliary hydraulic circuit	n.a.	std.

Bucket Options

Pin-on Style / Quick Coupler	Capacity cu. ft.	(Liters)
10" (250 mm) H.D. Bucket	1.4	40
12" (300 mm) H.D. Bucket	1.6	45
16" (400 mm) H.D. Bucket	2.5	70
18" (450 mm) H.D. Bucket	2.8	80
20" (500 mm) H.D. Bucket	3.4	96
24" (600 mm) H.D. Bucket	4.0	113
36" (900 mm) Ditch-cleaning Bucket	6.4	181

Hydraulic Hammer

Sound-insulated. Tools: Moil point or chisel point



Terex Construction Americas

8800 Rostin Road
Southaven, MS 38671
USA

TEL 662-393-1800
SALES 866-837-3923
PARTS & TECH SUPPORT 888-201-6008
FAX 662-393-1700
EMAIL sales@terexca.com
WEB terexca.com

For more information, product demonstration, or details on purchase, lease and rental plans, please contact your local Terex Distributor.

Effective date: August 15, 2006. For further information, please contact your local distributor or the Terex sales office listed. Product specifications are subject to change without notice or obligation. The photographs and drawings in this brochure are for illustrative purposes only. Refer to the appropriate Operator's Manual for instructions on the proper use of this equipment. Failure to follow the appropriate Operator's Manual when using our equipment or to otherwise act irresponsibly may result in serious injury or death. Prices and specifications subject to change without notice. The only warranty applicable is the standard written warranty applicable to the particular product and sale. Terex makes no other warranty, expressed or implied. Products and services listed may be trademarks, service marks or trade-names of Terex Corporation and/or its subsidiaries in the USA and other countries and all rights are reserved. "Terex" is a Registered Trademark of Terex Corporation in the USA and many other countries. Copyright ©2006 Terex Corporation