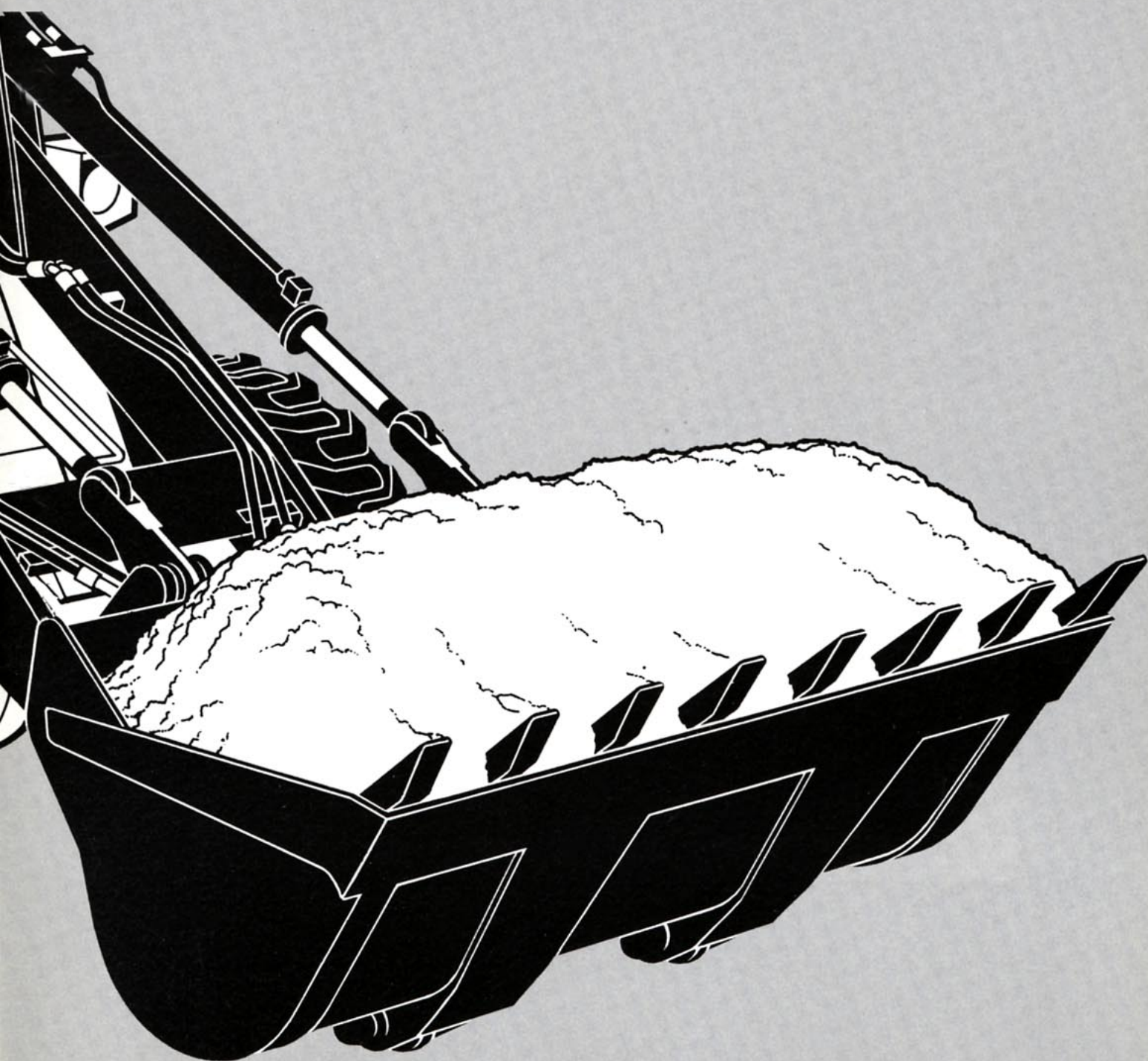


# ATTACHMENTS

FOR VOLVO BM LOADER

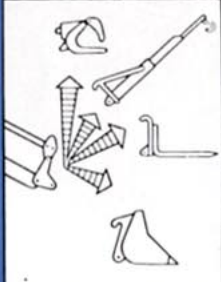
# 4300



# Genuine Volvo BM attachments give optimum overall economy

A loader is only as efficient as its attachment!

You should therefore make the same quality and function demands on your attachments as you do on your loader. Attachments marketed by Volvo BM meet the most stringent requirements imaginable and are specially designed for use with Volvo BM loaders. The product which is now found on all genuine Volvo attachments is your guarantee that the attachment has been tried, tested and approved by Volvo BM. That's comforting to know!

	ARTIKEL/PART NR.	<input type="text"/>
	TILLV./MANUF. NR.	<input type="text"/>
	VIKT/WEIGHT	<input type="text"/> kg
	MAX TRYCK/PRESSURE	<input type="text"/> MPa
	MAX. LAST/SAFE LM	<input type="text"/> kg
	WORKING LOAD LM	<input type="text"/> kg
	VOLYM/VOLUME/AREA	<input type="text"/> m <sup>3</sup> <input type="text"/> m <sup>2</sup>
<b>VOLVO BM</b> SWEDEN		

The product plate gives the attachment's part No., manufacturing No., weight, size and maximum load on the machine in question. The plate marks the attachment as a genuine Volvo BM product and serves as an identification document.

# A practical range of attachments for a variety of hard jobs

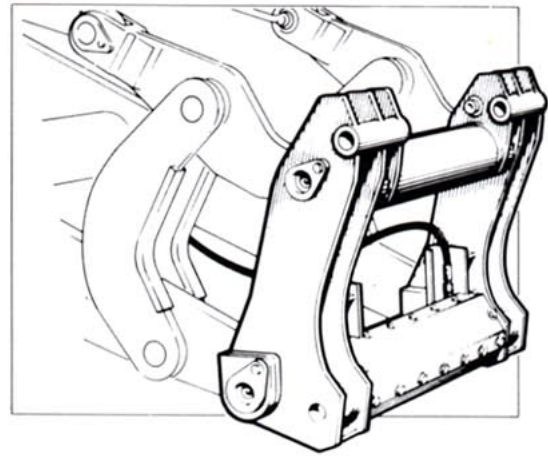
The following line of attachments has been selected specially for the Volvo BM 4300 to give unsurpassed economy at most jobs.

The Volvo BM 4300 is available with three types of attachment brackets:

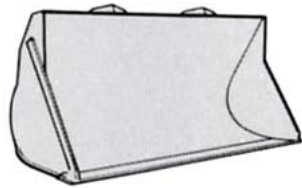
Mechanical attachment bracket (order No. 97830)

Hydraulic attachment bracket (order No. 97829), required for log grapples, combi-forks, combi-buckets. Bolt-on attachment.

Certain attachments require an extra hydraulic function on the machine.



## STRAIGHT LIP WITHOUT TEETH



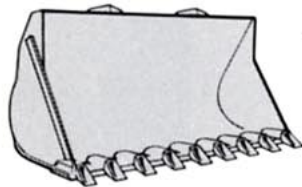
*Sand, gravel, soil — 1800 kg/m<sup>3</sup> (3000 lb/yd<sup>3</sup>).*

*Soil, clay — 1500 kg/m<sup>3</sup> (2500 lb/yd<sup>3</sup>).*

*Used for stockpiling and loading material which can be broken loose from the bank with relative ease. Bucket capacity is chosen in relation to material density.*

Order No.	Capacity SAE m <sup>3</sup> /ft <sup>3</sup>	Mounting R* D**	Width mm	Depth mm	Height mm	No. of teeth	Weight kg
97859	1.3	R	2350	805	960	—	500
97853	1.3	D	2350	805	960	—	500
97863	1.6	R	2350	920	1050	—	565
97857	1.6	D	2350	920	1050	—	560

## STRAIGHT BUCKET WITH TEETH



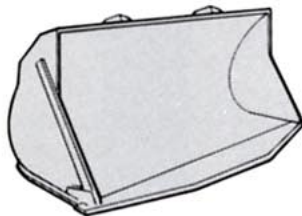
*Sand, gravel — 1800 kg/m<sup>3</sup> (3000 lb/yd<sup>3</sup>).*

*Soil, clay, etc. — 1500 kg/m<sup>3</sup> (2500 lb/yd<sup>3</sup>).*

*Used for loading material which requires high penetration and breakout forces.*

97860	1.3	R	2350	950	950	8	565
97854	1.3	D	2350	950	960	8	565
97864	1.6	R	2350	1080	1050	8	630
97858	1.6	D	2350	1080	1050	8	625

## TRUNCATED VEE LIP WITHOUT TEETH

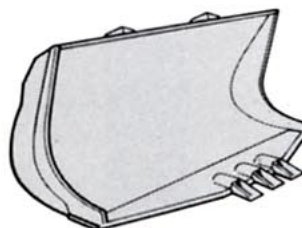


*For gravel and finely-blasted rubble — 1800 kg/m<sup>3</sup> (3000 lb/yd<sup>3</sup>).*

*Used for loading material which requires high penetration and breakout forces.*

97861	1.3	R	2350	950	960	—	510
97855	1.3	D	2350	950	960	—	505

## TRUNCATED VEE LIP WITH TEETH



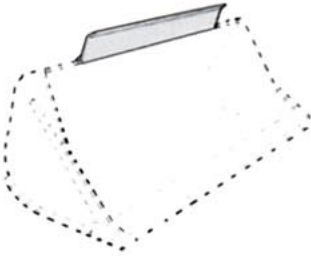
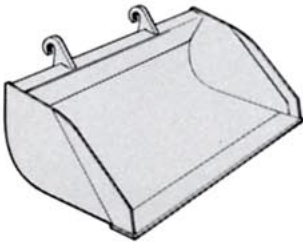
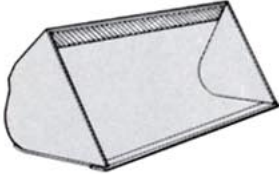
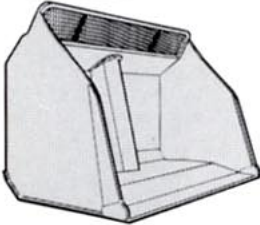
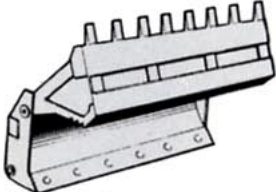
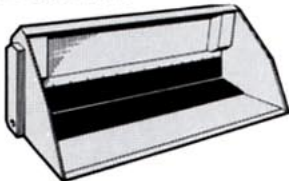
*For hard gravel and blast rubble — 1800 kg/m<sup>3</sup> (3000 lb/yd<sup>3</sup>).*

*Used for loading material which requires very high penetration of breakout forces. The bucket has low-cut sides to facilitate easy penetration into the material.*

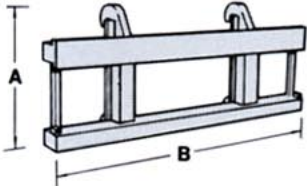
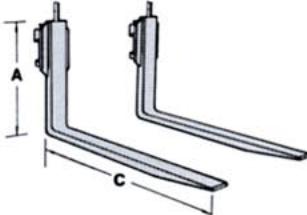
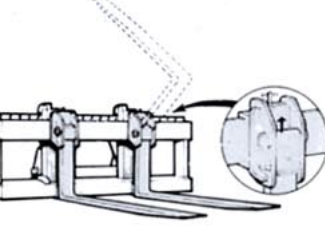
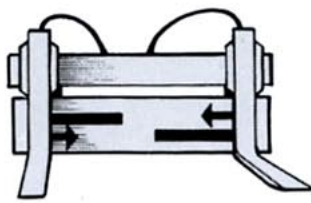
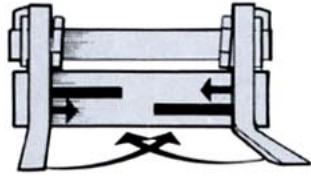
97862	1.3	R	2350	1100	960	3	520
97856	1.3	D	2350	1100	960	3	515

R\* = Snap-on coupling

D\*\* = Bolt-on attachment

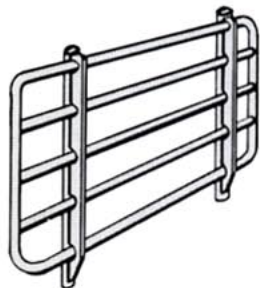
	Order No.	Capacity SAE m <sup>3</sup> /ft <sup>3</sup>	Mounting R* D**	Width mm	Depth mm	Height mm	No. of teeth	Weight kg
<b>SPILL PLATE</b>  <p>Prevents material from falling over the rear edge of the bucket when the bucket is tilted back. Can be mounted on bucket equipped with tilt cylinder guard. The spill plate with fasteners is supplied only for installation by the customer.</p>	99173	—	—	1650	—	200	—	26
<b>GRADING BUCKET</b>  <p>For materials of density 1300—1500 kg/m<sup>3</sup> (2200—2500 lb/yd<sup>3</sup>). This bucket is intended for earthmoving work such as overburden removal, small-scale dozing and excavation work, landscaping and levelling of landscaping materials. Its low height, deep bottom and special L profile make the bucket ideal for grading work.</p>	98609	1.4	R	2350	1170	730	—	570
<b>LIGHT MATERIALS BUCKET</b>  <p>For wood chips, coal, coke, snow etc. For materials of density 800 kg/m<sup>3</sup> (1350 lb/yd<sup>3</sup>). Intended for handling material of low density.</p>	98018	2.5	R	2350	1280	1200	—	735
<b>HIGH-DUMP LIGHT MATERIALS BUCKET</b>  <p>For wood chips, max. density 500 kg/m<sup>3</sup> (850 lb/yd<sup>3</sup>). This bucket is intended for handling materials of low density. Since it can be dumped over a special frame, an unloading height of 4.2 m (13 ft 10 in) can be reached.</p> <p><i>The attachment requires an extra hydraulic function!</i></p>	97939	3.5	R	2350	1400	1470	—	1045
<b>COMBI-BUCKET</b>  <p>The bucket is intended for different types of earthmoving work and can be used as a) an ordinary bucket b) a grader blade c) a dozer blade d) a grab bucket</p> <p><i>The attachment requires an extra hydraulic function!</i></p>	98027	1.1	R	2350	915	1075	8	900
<b>SAND-SPREADING BUCKET</b>  <p>Intended for spreading sand with a grain size of less than 10 mm. The adjustable nozzles at the rear permit half of the spreading width to be used if desired. The bucket can also be used light snow removal.</p> <p><i>The attachment requires an extra hydraulic function!</i></p>	98287	1.5	R	2350	1180	1080	—	550

R\* = Snap-on coupling      D\*\* = Bolt-on attachment

	Order No.	Mounting R* D**	Width mm	Depth mm	Height mm	Weight kg
<b>FORK FRAME</b>						
 <p>The fork frame in combination with different fork tines is particularly useful on building sites, at sawmills, terminals etc.</p>	97791	R	1200	165	730	120
	97792	R	1500	165	730	130
	97793	R	2000	165	730	165
<b>FORK TINES</b>						
 <p>The fork tine is available in three different lengths. All are to be combined with the fork frame described above.</p>	97788	—	$W \times t$ 125 × 50	1050	780	115
	97789	—	125 × 50	1225	780	125
	97790	—	125 × 50	1450	780	130
<i>Note! The order No. is for one fork tine only.</i>						
<b>HINGED FORK TINES</b>						
 <p>Hinged fork tines are used when surface irregularities make the load difficult to pick up with conventional fork tines. The upward movement of the tines is 75 mm. They can also be folded back, a safety feature for driving on public roads.</p>	98097	—	$W \times t$ 125 × 50	1050	810	115
	98098	—	125 × 50	1225	810	125
	98099	—	125 × 50	1450	810	130
<i>Note! The order No. is for one fork tine only.</i>						
<b>PALLET FORK WITH FORK POSITIONER</b>						
 <p>This type of fork frame is ideal in cases where the width of the load varies. The fork tines can be adjusted to fit the width of the load for stable and secure handling. Adjustment 350—950 mm (14—37 in).</p> <p>With a 3rd hydraulic function, the fork tines can be positioned in unison. With both the 3rd and 4th hydraulic functions, they can be positioned individually.</p>	97953	R	1365	1370	810	415
					(Fork tine 1225)	
<b>PALLET FORK WITH FORK POSITIONER AND FOLD-IN</b>						
 <p>The same functions as the above fork plus the fact that this fork automatically folds in its tines when they are moved to the outer positions. A very safety-enhancing feature for unladen travel.</p>	97952	R	1365	1370	810	450
					(Fork tine 1225)	
<i>The attachment requires two hydraulic functions!</i>						

R\* = Snap-on coupling      D\*\* = Bolt-on attachment

## PROTECTION BARS



This type of attachment can be mounted on both old and new fork tines. The former type has a tube for mounting while the latter has a pin. The attachment is used for handling materials which should be supported so that they do not fall over the fork tines.

98568

Width (B)  
mm

1200

Depth (C)  
mm

50

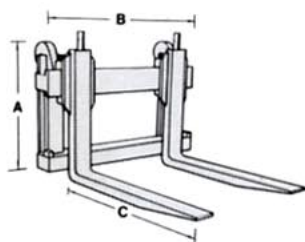
Height (A)  
mm

600

Weight  
kg

25

## STONE FORK



A heavier-duty fork particularly well-suited for handling, breaking out and carrying large stones.

Fork frame

98890

Fork tine

98389

1500  
W × t  
125 × 60

325

1050

760

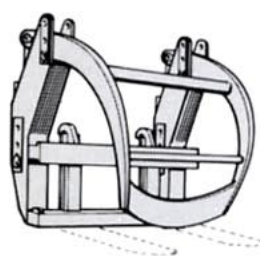
920

230

135

The order No. is for one fork tine only.

## COMBI-FORK WITH ONE-PIECE CLAMP



A fork which is recommended for handling of palletized goods and roundwood, with a maximum palletized load height of 1200 mm. Fork tines of desired length can be mounted on the frame, and hinged fork tines will make handling materials on uneven surfaces far easier.

97949

Area  
m<sup>2</sup>/yd<sup>2</sup>

0.8—  
1.05 m<sup>2</sup>

Mounting  
R\* D\*\*

R

Width  
mm

2000

Depth  
mm

1050—  
1450

Depend-  
ing on  
length  
of fork  
tine

Height  
mm

1600

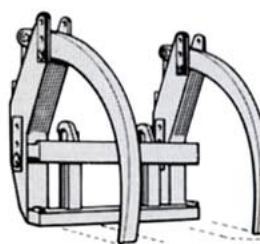
Weight  
kg

790

Note! Fork tines not included.

The attachment requires an extra hydraulic function!

## COMBI-FORK WITH TWIN-ARM CLAMP



This fork is suitable for materials handling at pulp-mills, on building sites and at other places where both palletized goods and compressible materials such as waste paper, packaging materials etc. are handled. The clamping arms are automatically adjusted to provide a secure grip.

97950

0.8—  
1.05 m<sup>2</sup>

R

2000

1050—  
1450

Depend-  
ing on  
length  
of fork  
tine

1600




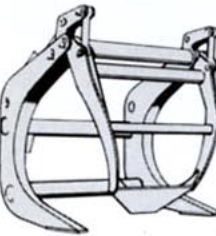
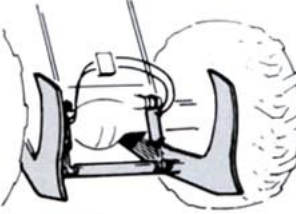
770

Note! Fork tines not included.

The attachment requires an extra hydraulic function.

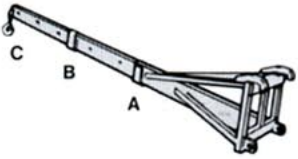
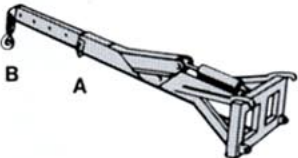
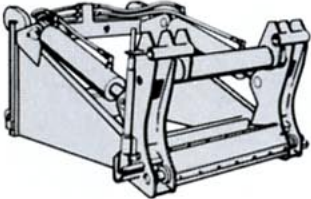
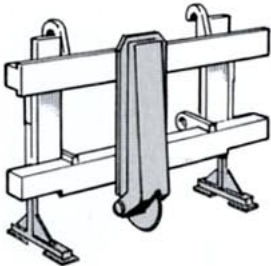
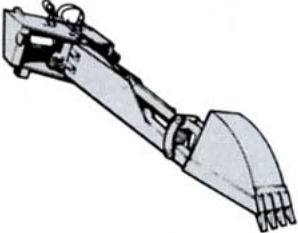
R\* = Snap-on coupling

D\*\* = Bolt-on attachment

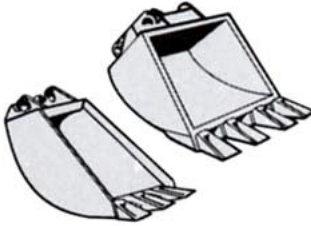
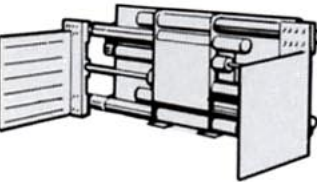
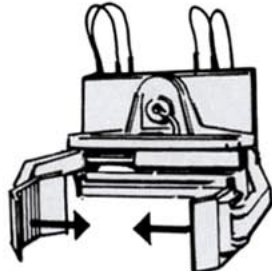
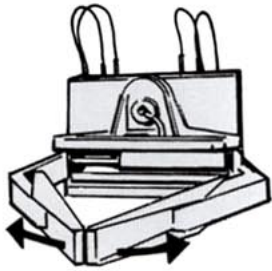
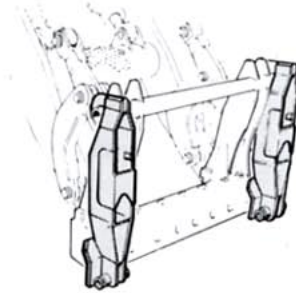
	Order No.	Area m <sup>2</sup> /ft <sup>2</sup>	Mounting R* D**	Width mm	Depth mm	Height mm	Weight kg
<p><b>UNLOADING GRAPPLE</b></p> <p><b>PULPWOOD</b></p>  <p>For unloading pulpwood from a truck and placing it on a stack. The grapple is distinguished by short tines and a clamp with link in order to reach around a 2.5 m wide truck load. The shape of the fork tines and clamp ensures that logs will not be dropped when the attachment is tilted back after the grapple has been filled. Due to the short length of the tines, the grapple can also be used for sorting.</p> <p>The attachment requires that the machine be equipped with hydraulic snap-on coupling.</p>	98418	1.2	R	1600	500	1460	850
<p><b>SORTING GRAPPLE</b></p>  <p>For feeding sorting plants from stacks and further transport to timber bins. Relatively long tines in order to reach into compartments. The clamp is equipped with a link in order to enable it to take timber from stacks and to prevent timber from falling over the machine.</p> <p>The grapple is not ideally suited for unloading trucks, due to its relatively long tines. Its area is adapted for 4.5 m (15 ft) log lengths. The sorting grapple can be equipped with combined hydraulic heel/kick-out of the chain type.</p>	97875	0.9	R	1500	930	1040	800
<p><b>PULPWOOD GRAPPLE</b></p>  <p>Intended for handling pulpwood, this grapple has a larger area for the same machine size. The area is adapted for 3 m (10 ft) wood. The clamp is provided with a link to provide a larger grip opening and prevent timber from falling over the machine when it is taken from the stack. The grapple is otherwise identical to the sorting grapple. The grapple is not ideally suited for unloading trucks, due to its long tines. The pulpwood grapple can be equipped with a combined hydraulic heel/kick-out of the chain type.</p>	98091	1.2	R	1600	1050	1385	910
<p><b>WHOLE-STEM GRAPPLE</b></p>  <p>For handling whole tree stems, usually one at a time. The grapple is distinguished by a greater width for better stability and a small grip area for holding single stems. The grapple cannot be equipped with a chain-type or hydraulic-type kick-out.</p> <p>The attachment requires that the machine be equipped with hydraulic snap-on coupling.</p>	98893	0.7	R	1550	—	—	665
<p><b>LOG PUSHER</b></p>  <p>Recommended for all roundwood handling, this attachment is useful in maintaining high stacks and in clearing a path in front of the loader.</p> <p>The attachment requires an extra hydraulic function.</p>	98054	—	—	1340	1550	950	300

R\* = Snap-on coupling

D\*\* = Bolt-on attachment

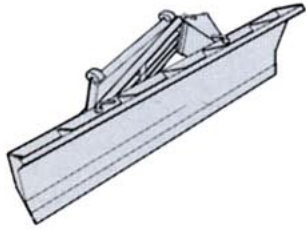
		Order No.	Mounting R* D**	Width mm	Depth mm	Height mm	Weight kg
<b>CRANE JIB</b>   <p>The crane jib is used on building construction sites for pipelaying etc. It has two extendable sections with built-in mechanical stops to prevent them from being pulled apart.</p>		97824	R	A 1850	C 4100	B 3000	385
<b>HYDRAULIC ARTICULATED CRANE JIB</b>   <p>This articulated jib has an extendable outer section which can also be hydraulically cranked. It is particularly useful on sites where loads have to be lowered below ground level or where various obstacles have to be passed.</p> <p>The jib has a line rupture valve and the outer section lowers at a restricted rate.</p> <p>The attachment requires an extra hydraulic function!</p>		97819	R	A 3100	—	B 4100	435
<b>EXTENSION</b>   <p>The extension is recommended for work with a pallet fork, bucket etc. where high lifting height and long reach are required with light loads.</p> <p>The attachment requires an extra hydraulic function!</p>		98094 98095	R R	1340 1340	1000 1500	920 800	460 500
<b>ASPHALT CUTTER</b>   <p>Facilitates removal of asphalt for repair work on roads, sidewalks etc. This attachment makes one cut so that the asphalt edge is not damaged during excavation.</p> <p>Cutting depth: 50—70 mm (2—3 in).</p> <p>Mounted on fork frame.</p>		97815		—	—	—	96
<b>POSTHOLE DIGGER</b>   <p>An excavator attachment for small-scale excavation work such as service excavation, digging of cable trenches, postholes etc.</p> <p>Digging depth 3.5 m (11 ft 6 in)</p> <p>Swing angle 170°</p> <p>Dumping height 3.1 m (10 ft 2 in)</p> <p>The machine used with this attachment must have both a 3rd and a 4th hydraulic function.</p>		97977	R	1450	3250	900	850



	Order No.	Mounting R* D**	Width mm	Depth mm	Height mm	Weight kg
<b>EXCAVATION BUCKETS</b>						
 <p>3 different buckets are available for the posthole digger. They can easily be mounted and dismounted.</p> <p>Posthole bucket, 50 litres (1.8 ft<sup>3</sup>) 4 teeth</p> <p>Cable bucket, 96 litres (3.4 ft<sup>3</sup>) 3 teeth</p> <p>Excavator bucket, 167 litres (5.9 ft<sup>3</sup>) 4 teeth</p>	97822	—	475	—	—	90
	97823	—	350	—	—	100
	97821	—	550	—	—	132
<b>HYDRAULIC BALE CLAMP</b>						
 <p>This attachment is designed for handling baled material such as pulp bales, scrap bundles etc.</p> <p>Working range 850—2400 mm (33—94 in)</p> <p>The attachment requires an extra hydraulic function!</p>	98067	R	1600	1050	850	630
<b>BARREL ROTATOR</b>						
 <p>This attachment is designed for handling drums and barrels which have to be turned in connection with e.g. scrap handling.</p> <p>Angle of rotation 210°.</p> <p>For barrel diameters up to 1600 mm (63 in).</p> <p>The attachment requires two extra hydraulic functions!</p>	97841	R	1400	1250	850	730
<b>BOX ROTATOR</b>						
 <p>Intended for handling crates etc. which must be turned in connection with unloading.</p> <p>Angle of rotation 210°.</p> <p>For crates up to 350—1600 mm (14—65 in).</p> <p>The attachment requires two extra hydraulic functions!</p>	97843	R	1400	1700	850	720
<b>ADAPTER</b>						
 <p>This adapter makes it possible to use attachments with older-type brackets. But it is not suitable if you have to switch frequently, since this defeats the purpose of the snap-on coupling.</p> <p>The order No. is for one adapter, two are required.</p>	97869	R	180	100	800	30

R\* = Snap-on coupling      D\*\* = Bolt-on attachment

## DOZER BLADE



The dozer blade is intended for dozing and levelling work and can be angled 20° to the left/right mechanically. The blade is mounted on the attachment. The wear steel can be reversed.

234420\*

Mounting  
R\* D

Width  
mm

Depth  
mm

Height  
mm

Weight  
kg

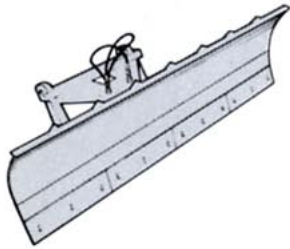
R

2500

790

430

## SNOW BLADE Type TKH (municipal blade)



Recommended for snow clearance of roads etc. The blade has a reversible cutting edge divided into sections which fold up when they run into small obstacles such as manhole covers. It is hydraulically adjustable 30°. The blade is not recommended for earthmoving work.

The attachment requires an extra hydraulic function!

233895\*

R

3200

—

800

560

## SNOW BLADE Type TKH (municipal blade)



Recommended for snow clearance of roads etc. The blade has a reversible cutting edge divided into sections which fold up when they run into small obstacles such as manhole covers. It is hydraulically adjustable 30°. The blade is not recommended for earthmoving work.

The attachment requires an extra hydraulic function!

234280\*

R

3200

—

800

980

234281\*

R

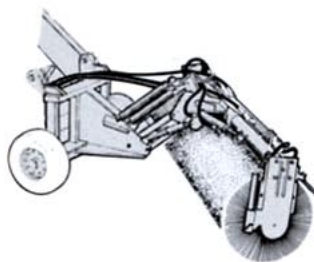
4000

—

800

1100

## SWEEPER (not collecting)



Intended for use where the sweepings do not have to be collected.

Can be equipped with a water tank and spray nozzle for binding the dust.

Flow distributor 233947\* required.

3rd and 4th hydraulic functions required.

233903\*

R

2500

1500

1000

480





The Volvo BM 4300 has been thoroughly tried and tested from its inception by means of rigorous laboratory tests and practical trials on demanding worksites all over Europe. The name Volvo BM is a guarantee of high quality, economy and comfort.

---

**VOLVO BM**  
VOLVO BM AB ESKILSTUNA SWEDEN

*Under our policy of continual product improvement, we reserve the right to change specifications or design without prior notice. Illustrations do not necessarily show the machine in the standard version.*

Ref.No. 21 1 665 1279  
ENGELSKA

Production group for basic printed matter Volvo BM