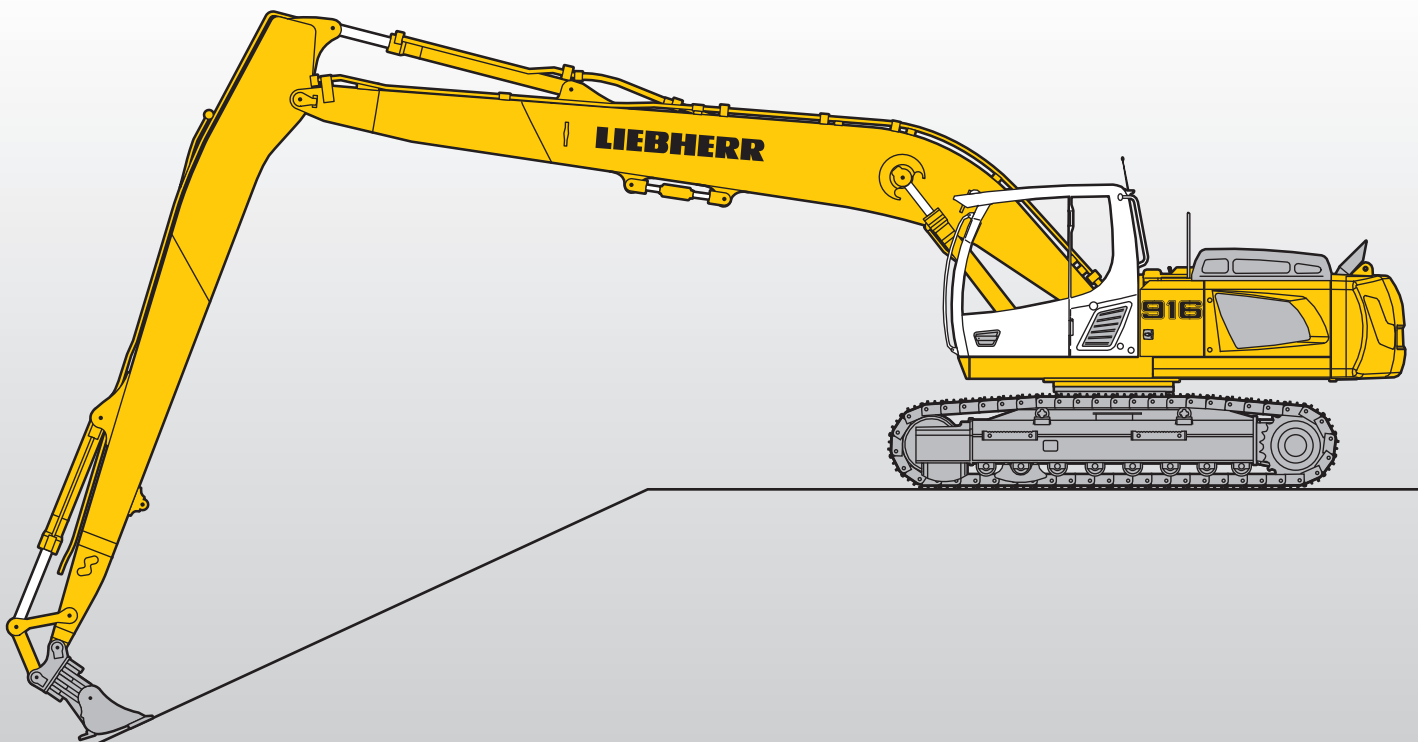


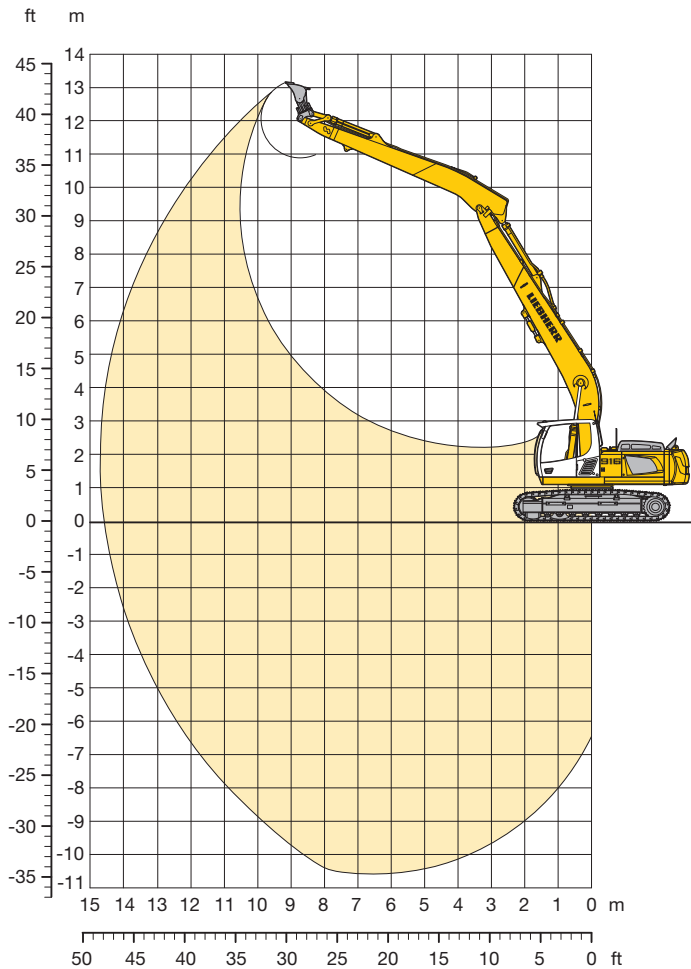
Attachment Information

Liebherr Crawler Excavator
with Multi-User Attachment



Ditchcleaning Attachment «Multi-User»

with Gooseneck Boom 8.20 m for Ditchcleaning Attachment and WLC-Undercarriage



Digging Envelope for Ditchcleaning Bucket

Stick length	m	6.00
Max. digging depth	m	10.60
Max. reach at ground level	m	14.60
Max. dump height	m	10.90
Max. teeth height	m	13.15
Digging force ISO	kN	65.0
	t	6.6
Breakout force ISO	kN	148.0
	t	15.1

Operating Weight and Ground Pressure

Operating weight includes basic machine with counterweight 5.0 t, gooseneck boom 8.20 m for ditchcleaning attachment, stick 6.00 m for ditchcleaning attachment and bucket 0.60 m³ (430 kg).

Undercarriage		WLC		
Pad width	mm	500	600	750
Weight	kg	26,000	26,250	27,000
Ground pressure	kg/cm ²	0.63	0.53	0.43

Ditchcleaning Bucket

Cutting width SAE	mm	2,000	2,000 ¹⁾	2,000
Capacity ISO 7451	m ³	0.40	0.50	0.70
Weight	kg	370	680	500
Specific weight	t/m ³	1.80	1.50	1.20

¹⁾ Ditchcleaning bucket 2 x 50° tiltable

Bucket

Cutting width SAE	mm	500	650	850	1,050
Capacity ISO 7451	m ³	0.30	0.45	0.60	0.80
Weight	kg	330	390	430	510
Specific weight	t/m ³	1.80	1.80	1.50	1.20

Lift Capacities

with Gooseneck Boom 8.20 m for Ditchcleaning Attachment and WLC-Undercarriage

Stick 6.00 m for Ditchcleaning Attachment

↑ m	Under-carriage	3.0 m		4.5 m		6.0 m		7.5 m		9.0 m		10.5 m		12.0 m		13.5 m		m			
10.5	WLC											0.9*	0.9*					0.8*	0.8*	10.53	
9.0	WLC											1.7*	1.7*					0.8*	0.8*	11.62	
7.5	WLC											2.2*	2.2*	1.2*	1.2*			0.8*	0.8*	12.44	
6.0	WLC										2.5*	2.5*	2.3*	2.3*	1.8	1.8*			0.8*	0.8*	13.03
4.5	WLC										2.7*	2.7*	2.3	2.5*	1.7	2.2*			0.8*	0.8*	13.42
3.0	WLC			6.0*	6.0*	4.5*	4.5*	3.6*	3.6*	2.9	3.0*	2.2	2.6*	1.6	2.3*	1.1*	1.1*	0.8*	0.8*	13.64	
1.5	WLC	4.8*	4.8*	7.5*	7.5*	5.2	5.2*	3.6	4.0*	2.7	3.3*	2.0	2.8*	1.5	2.5*	1.1	1.2*	0.9*	0.9*	13.69	
0	WLC	3.8*	3.8*	6.9	8.4*	4.6	5.8*	3.3	4.4*	2.4	3.6*	1.8	3.0*	1.4	2.5	1.0	1.2*	1.0	1.0*	13.57	
-1.5	WLC	4.3*	4.3*	6.4	7.9*	4.2	6.2*	3.0	4.7*	2.2	3.7*	1.7	3.0	1.3	2.4			1.0	1.2*	13.28	
-3.0	WLC	5.2*	5.2*	6.2	8.2*	4.0	6.2*	2.8	4.7*	2.1	3.7	1.6	2.9	1.2	2.3			1.1	1.4*	12.80	
-4.5	WLC	6.3*	6.3*	6.2	8.1*	3.9	6.0*	2.7	4.6*	2.0	3.6	1.6	2.9	1.2	2.2*			1.2	1.8*	12.12	
-6.0	WLC	7.6*	7.6*	6.3	7.2*	3.9	5.5*	2.7	4.3*	2.0	3.4*	1.6	2.6*					1.4	2.3*	11.20	
-7.5	WLC	8.2*	8.2*	6.0*	6.0*	4.1	4.6*	2.8	3.6*	2.1	2.8*							1.8	2.3*	9.96	
-9.0	WLC			4.3*	4.3*	3.3*	3.3*	2.5*	2.5*									2.1*	2.1*	8.26	

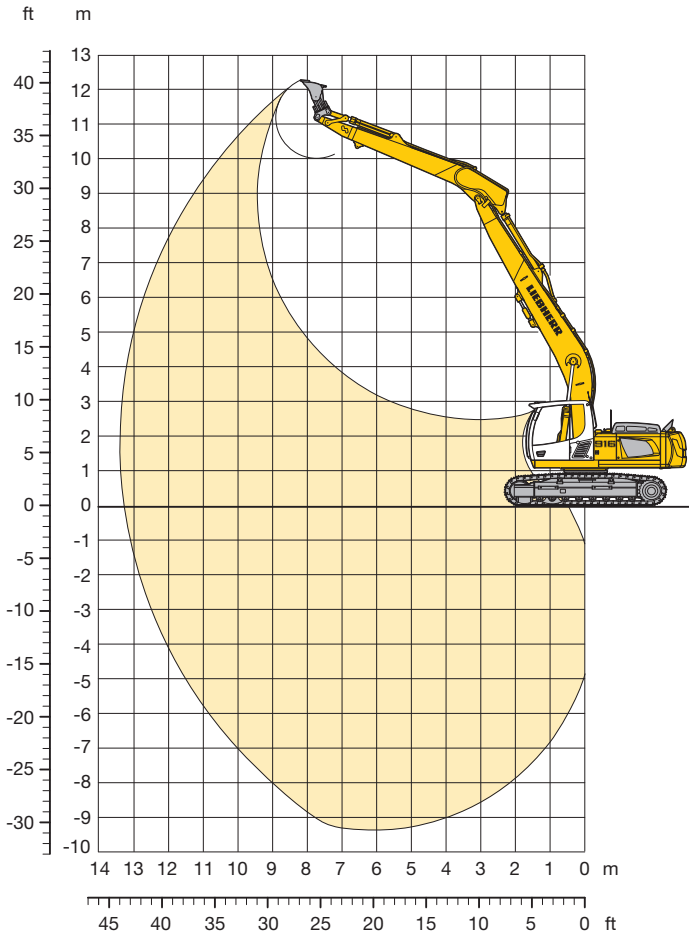
Height
 Can be slewed though 360°
 In longitudinal position of undercarriage
 Max. reach
 * Limited by hydr. capacity

The lift capacities are stated in metric tonnes (t) on the backhoe bucket's load hook and can be lifted 360° on firm, level supporting surface. Adjacent values are valid for the undercarriage when in the longitudinal position. Capacities are valid for 600 mm wide triple-grouser pads. Indicated loads are based on ISO 10567 standard and do not exceed 75 % of tipping or 87 % of hydraulic capacity (indicated by *). Without bucket the lift capacities will increase by 430 kg, without bucket cylinder, link and lever they increase by an additional 315 kg.

According to European Standard, EN 474-5: In the European Union excavators have to be equipped with an overload warning device, a load diagram and automatic check valves on the hoist cylinders, when they are used for lifting operations which require the use of lifting accessories.

Ditchcleaning Attachment «Multi-User»

with Gooseneck Boom 7.60 m for Ditchcleaning Attachment



Digging Envelope for Ditchcleaning Bucket

Stick length	m	5.20
Max. digging depth	m	9.35
Max. reach at ground level	m	13.25
Max. dump height	m	10.00
Max. teeth height	m	12.25
Digging force ISO	kN	73.9
	t	7.5
Breakout force ISO	kN	148.0
	t	15.1

Operating Weight and Ground Pressure

Operating weight includes basic machine with counterweight 5.0 t, gooseneck boom 7.60 m for ditchcleaning attachment, stick 5.20 m for ditchcleaning attachment and bucket 0.60 m³ (430 kg).

Undercarriage		SLC			LC			WLC		
Pad width	mm	500	600	750	500	600	750	500	600	750
Weight	kg	25,100	25,400	25,850	25,150	25,450	25,900	25,750	26,000	26,750
Ground pressure	kg/cm ²	0.64	0.54	0.44	0.64	0.54	0.44	0.62	0.52	0.43

Ditchcleaning Bucket

Cutting width SAE	mm	2,000	2,000 ¹⁾	2,000	2,000 ¹⁾
Capacity ISO 7451	m ³	0.40	0.50	0.70	0.70
Weight	kg	370	680	500	800
Specific weight with SLC-Undercarriage	t/m ³	1.80	1.80	1.50	1.20
Specific weight with LC-Undercarriage	t/m ³	1.80	1.80	1.80	1.50
Specific weight with WLC-Undercarriage	t/m ³	1.80	1.80	1.80	1.50

¹⁾ Ditchcleaning bucket 2 x 50° tiltable

Bucket

Cutting width SAE	mm	500	650	850	1,050	1,250
Capacity ISO 7451	m ³	0.30	0.45	0.60	0.80	0.95
Weight	kg	330	390	430	510	610
Specific weight with SLC-Undercarriage	t/m ³	1.80	1.80	1.50	1.20	–
Specific weight with LC-Undercarriage	t/m ³	1.80	1.80	1.80	1.50	1.20
Specific weight with WLC-Undercarriage	t/m ³	1.80	1.80	1.80	1.50	1.20

Lift Capacities

with Gooseneck Boom 7.60 m for Ditchcleaning Attachment

Stick 5.20 m for Ditchcleaning Attachment

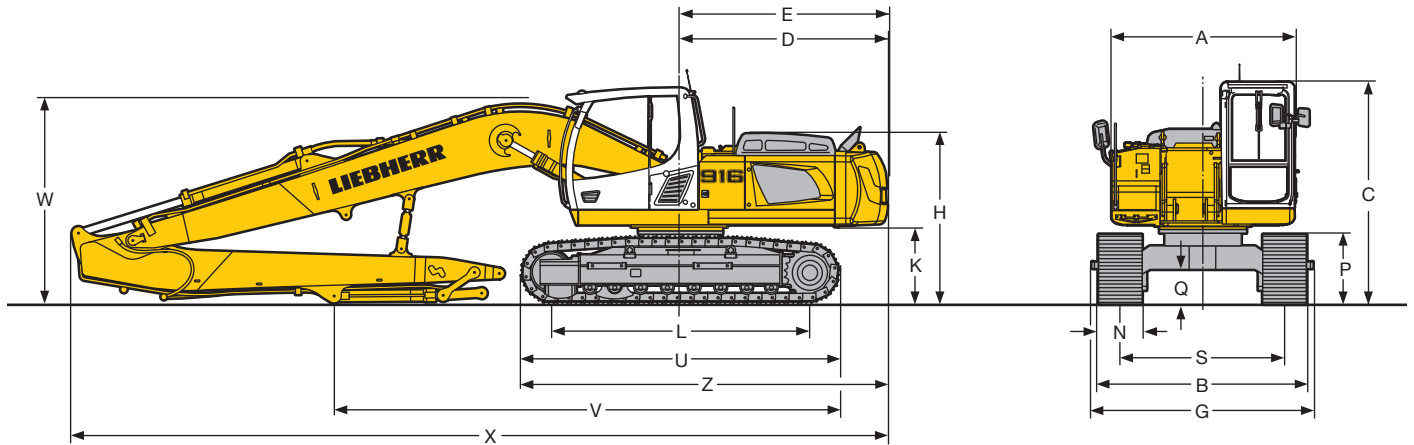
↑ m	Under-carriage	3.0 m		4.5 m		6.0 m		7.5 m		9.0 m		10.5 m		12.0 m		13.5 m		m		
10.5	SLC																	1.2*	1.2*	8.71
	LC																	1.2*	1.2*	
	WLC																	1.2*	1.2*	
9.0	SLC									2.1*	2.1*							1.1*	1.1*	10.01
	LC									2.1*	2.1*							1.1*	1.1*	
	WLC									2.1*	2.1*							1.1*	1.1*	
7.5	SLC									2.7*	2.7*	1.7*	1.7*					1.1*	1.1*	10.95
	LC									2.7*	2.7*	1.7*	1.7*					1.1*	1.1*	
	WLC									2.7*	2.7*	1.7*	1.7*					1.1*	1.1*	
6.0	SLC									2.8	2.9*	2.0	2.4*					1.1*	1.1*	11.61
	LC									2.9*	2.9*	2.1	2.4*					1.1*	1.1*	
	WLC									2.9*	2.9*	2.4*	2.4*					1.1*	1.1*	
4.5	SLC							3.6*	3.6*	2.6	3.2*	1.9	2.9*	1.2*	1.2*			1.1*	1.1*	12.06
	LC							3.6*	3.6*	2.8	3.2*	2.0	2.9*	1.2*	1.2*			1.1*	1.1*	
	WLC							3.6*	3.6*	3.2*	3.2*	2.3	2.9*	1.2*	1.2*			1.1*	1.1*	
3.0	SLC	10.7*	10.7*	6.7*	6.7*	4.9	5.0*	3.4	4.0*	2.4	3.4*	1.8	3.0*	1.3	1.7*			1.2*	1.2*	12.30
	LC	10.7*	10.7*	6.7*	6.7*	5.0*	5.0*	3.6	4.0*	2.6	3.4*	1.9	3.0*	1.4	1.7*			1.2*	1.2*	
	WLC	10.7*	10.7*	6.7*	6.7*	5.0*	5.0*	4.0*	4.0*	3.0	3.4*	2.2	3.0*	1.6	1.7*			1.2*	1.2*	
1.5	SLC	5.2*	5.2*	6.5	8.2*	4.3	5.8*	3.0	4.5*	2.2	3.7*	1.6	3.0	1.2	2.0*			1.1	1.3*	12.35
	LC	5.2*	5.2*	7.1	8.2*	4.6	5.8*	3.3	4.5*	2.4	3.7*	1.8	3.0	1.3	2.0*			1.2	1.3*	
	WLC	5.2*	5.2*	8.1	8.2*	5.3	5.8*	3.7	4.5*	2.7	3.7*	2.1	3.2*	1.6	2.0*			1.3*	1.3*	
0	SLC	4.6*	4.6*	5.7	9.0*	3.8	6.3*	2.7	4.8*	2.0	3.8	1.5	2.9	1.1	2.0*			1.1	1.4*	12.22
	LC	4.6*	4.6*	6.2	9.0*	4.1	6.3*	3.0	4.8*	2.2	3.8	1.6	2.9	1.2	2.0*			1.2	1.4*	
	WLC	4.6*	4.6*	7.3	9.0*	4.8	6.3*	3.4	4.8*	2.5	3.9*	1.9	3.2	1.5	2.0*			1.4	1.4*	
-1.5	SLC	5.4*	5.4*	5.3	9.2*	3.5	6.6*	2.5	4.8	1.9	3.6	1.4	2.8					1.1	1.7*	11.89
	LC	5.4*	5.4*	5.8	9.2*	3.8	6.6*	2.7	4.8	2.0	3.6	1.5	2.8					1.2	1.7*	
	WLC	5.4*	5.4*	6.9	9.2*	4.5	6.6*	3.2	5.0*	2.4	4.0	1.8	3.1					1.5	1.7*	
-3.0	SLC	6.6*	6.6*	5.2	8.9*	3.4	6.5*	2.4	4.6	1.8	3.5	1.4	2.7					1.2	2.1*	11.36
	LC	6.6*	6.6*	5.7	8.9*	3.7	6.5*	2.6	4.6	1.9	3.5	1.5	2.8					1.3	2.1*	
	WLC	6.6*	6.6*	6.7	8.9*	4.3	6.5*	3.1	5.0*	2.3	3.9	1.8	3.1					1.6	2.1*	
-4.5	SLC	8.1*	8.1*	5.3	8.2*	3.3	6.1*	2.3	4.6	1.8	3.5	1.4	2.8					1.3	2.7*	10.58
	LC	8.1*	8.1*	5.8	8.2*	3.6	6.1*	2.6	4.6	1.9	3.5	1.5	2.8					1.5	2.7*	
	WLC	8.1*	8.1*	6.8	8.2*	4.3	6.1*	3.0	4.8*	2.3	3.8*	1.8	2.9*					1.8	2.7*	
-6.0	SLC	9.6*	9.6*	5.4	7.0*	3.4	5.4*	2.4	4.2*	1.8	3.2*							1.7	2.9*	9.51
	LC	9.6*	9.6*	5.9	7.0*	3.7	5.4*	2.6	4.2*	2.0	3.2*							1.8	2.9*	
	WLC	9.6*	9.6*	6.9	7.0*	4.4	5.4*	3.1	4.2*	2.3	3.2*							2.2	2.9*	
-7.5	SLC	6.8*	6.8*	5.3*	5.3*	3.6	4.1*	2.6	3.1*									2.3	2.7*	8.00
	LC	6.8*	6.8*	5.3*	5.3*	3.9	4.1*	2.8	3.1*									2.5	2.7*	
	WLC	6.8*	6.8*	5.3*	5.3*	4.1*	4.1*	3.1*	3.1*									2.7*	2.7*	

Height Can be slewed though 360° In longitudinal position of undercarriage Max. reach * Limited by hydr. capacity

The lift capacities are stated in metric tonnes (t) on the backhoe bucket's load hook and can be lifted 360° on firm, level supporting surface. Adjacent values are valid for the undercarriage when in the longitudinal position. Capacities are valid for 600 mm wide triple-grouser pads. Indicated loads are based on ISO 10567 standard and do not exceed 75 % of tipping or 87 % of hydraulic capacity (indicated by *). Without bucket the lift capacities will increase by 430 kg, without bucket cylinder, link and lever they increase by an additional 315 kg.

According to European Standard, EN 474-5: In the European Union excavators have to be equipped with an overload warning device, a load diagram and automatic check valves on the hoist cylinders, when they are used for lifting operations which require the use of lifting accessories.

Dimensions



	SLC			LC			WLC		
	mm			mm			mm		
A	2,500			2,500			2,500		
C	3,057			3,057			3,057		
D	2,920			2,920			2,920		
E	2,940			2,940			2,940		
H	2,402			2,402			2,402		
K	1,105			1,105			1,105		
L	3,648			3,648			3,838		
P	955			955			955		
Q	460			460			460		
S	2,250			2,380			2,590		
U	4,510			4,510			4,700		
N	500	600	750	500	600	750	500	600	750
B	2,810	2,850	3,000	2,974	2,980	3,130	3,184	3,190	3,340
G	2,810	2,850	3,110	2,974	2,980	3,274	3,184	3,190	3,484
Z	5,180			5,180			5,275		

Gooseneck Boom 7.60 m for Ditchcleaning Attachment, Stick 5.20 m for Ditchcleaning Attachment mm

V	with SLC-Undercarriage	7,150
	with LC-Undercarriage	7,150
	with WLC-Undercarriage	7,250
W		2,850
X		11,550

Gooseneck Boom 8.20 m for Ditchcleaning Attachment, Stick 6.00 m for Ditchcleaning Attachment and WLC-Undercarriage mm

V		5,650
W		3,050
X		12,200

Liebherr-France SAS

2 avenue Joseph Rey, B.P. 90287, F-68005 Colmar Cedex

+33 389 21 30 30, Fax +33 389 21 37 93

www.liebherr.com, E-Mail: info.lfr@liebherr.com