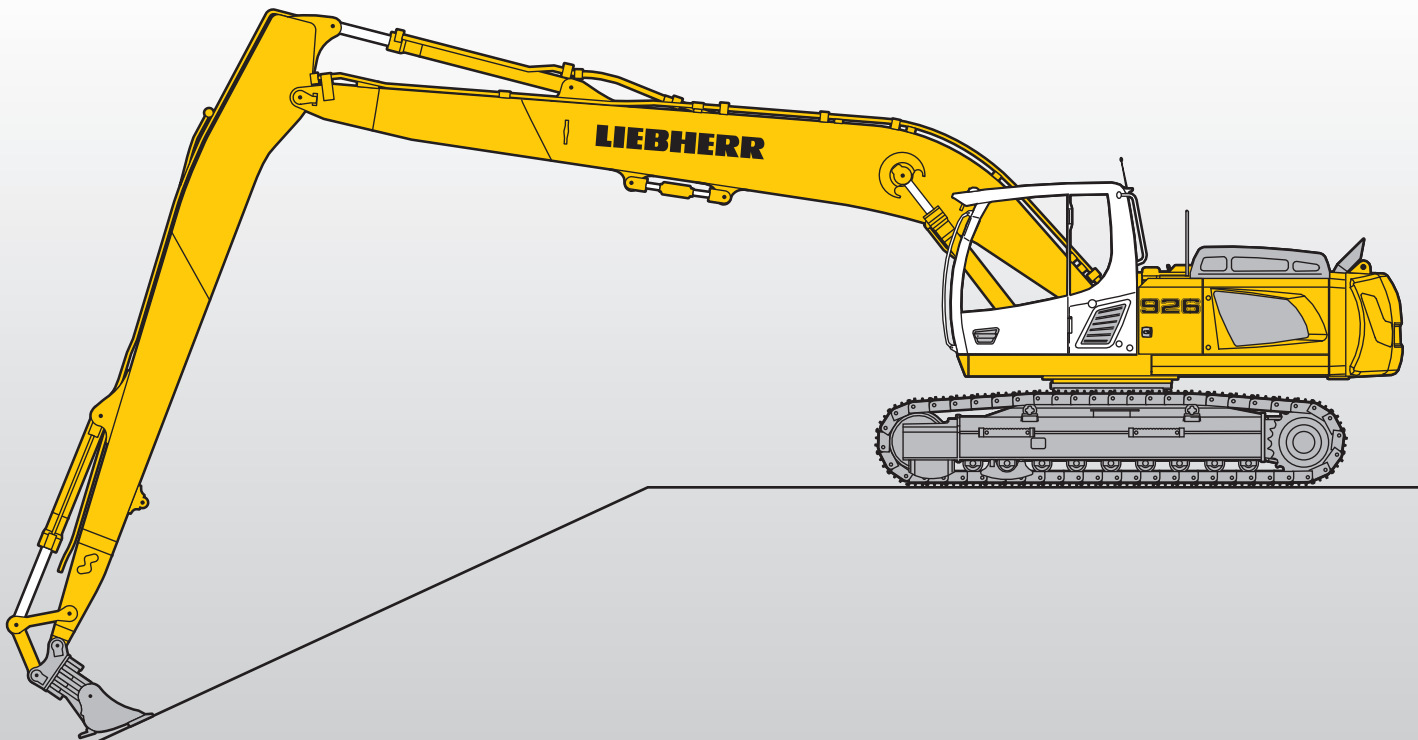


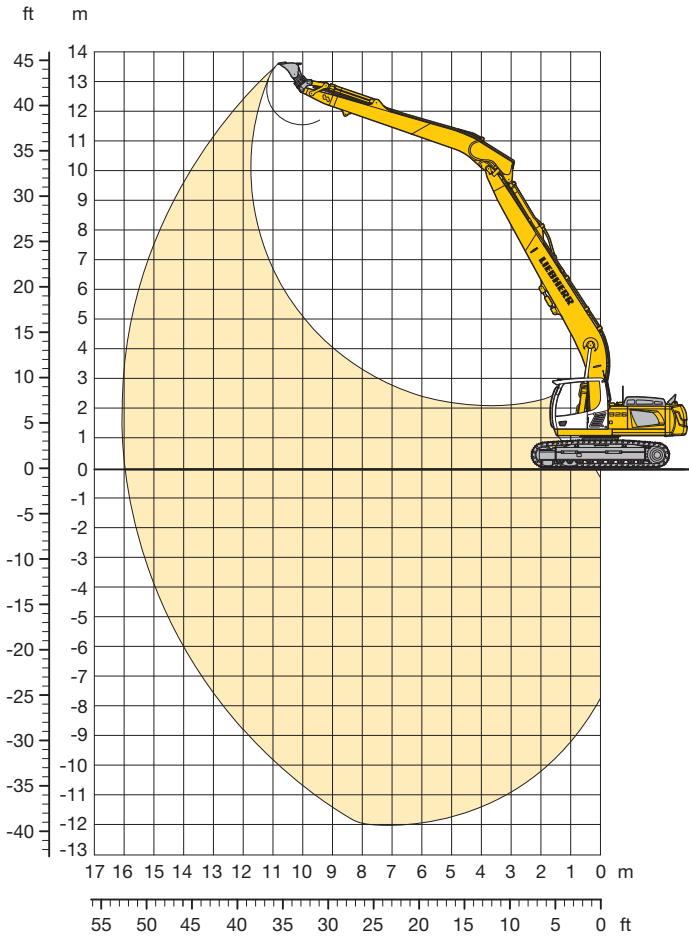
Attachment Information

Liebherr Crawler Excavator
with Multi-User Attachment



Ditchcleaning Attachment «Multi-User»

with Gooseneck Boom 9.00 m for Ditchcleaning Attachment and WLC-Undercarriage



Digging Envelope for Ditchcleaning Bucket

Stick length	m	6.80
Max. digging depth	m	12.00
Max. reach at ground level	m	15.95
Max. dump height	m	11.55
Max. teeth height	m	13.60
Digging force ISO	kN	68.0
	t	6.9
Breakout force ISO	kN	148.0
	t	15.1

Operating Weight and Ground Pressure

Operating weight includes basic machine with counterweight 6.0 t, gooseneck boom 9.00 m for ditchcleaning attachment, stick 6.80 m for ditchcleaning attachment and bucket 0.60 m³ (430 kg).

Undercarriage		WLC		
Pad width	mm	500	600	750
Weight	kg	27,400	27,650	28,400
Ground pressure	kg/cm ²	0.66	0.56	0.46

Ditchcleaning Bucket

Cutting width SAE	mm	2,000	2,000 ¹⁾	2,000
Capacity ISO 7451	m ³	0.40	0.50	0.70
Weight	kg	370	680	500
Specific weight	t/m ³	1.80	1.20	1.20

¹⁾ Ditchcleaning bucket 2 x 50° tiltable

Bucket

Cutting width SAE	mm	500	650	850	1,050
Capacity ISO 7451	m ³	0.30	0.45	0.60	0.80
Weight	kg	330	390	430	510
Specific weight	t/m ³	1.80	1.80	1.50	1.20

Lift Capacities

with Gooseneck Boom 9.00 m for Ditchcleaning Attachment and WLC-Undercarriage

Stick 6.80 m for Ditchcleaning Attachment

Stick m	Under- carriage	3.0 m		4.5 m		6.0 m		7.5 m		9.0 m		10.5 m		12.0 m		13.5 m		15.0 m		m				
12.0	WLC																				0.7*	0.7*	10.99	
10.5	WLC													0.9*	0.9*							0.7*	0.7*	12.23
9.0	WLC													1.5*	1.5*							0.6*	0.6*	13.18
7.5	WLC											2.4*	2.4*	1.9*	1.9*	1.0*	1.0*					0.6*	0.6*	13.90
6.0	WLC											2.5*	2.5*	2.1	2.3*	1.5*	1.5*					0.6*	0.6*	14.43
4.5	WLC									3.0*	3.0*	2.6	2.7*	1.9	2.5*	1.4	1.9*					0.7*	0.7*	14.78
3.0	WLC					5.1*	5.1*	4.1*	4.1*	3.2	3.4*	2.4	3.0*	1.8	2.6*	1.3	2.3*					0.7*	0.7*	14.98
1.5	WLC	4.8*	4.8*	8.5	8.7*	5.6	6.0*	3.9	4.6*	2.9	3.8*	2.2	3.2*	1.6	2.8	1.2	2.2	0.8*	0.8*			0.8*	0.8*	15.02
0	WLC	3.8*	3.8*	7.3	8.6*	4.9	6.8*	3.5	5.1*	2.6	4.1*	2.0	3.4	1.5	2.7	1.1	2.1					0.9	0.9*	14.91
- 1.5	WLC	4.2*	4.2*	6.7	7.4*	4.4	7.2*	3.2	5.4	2.4	4.1	1.8	3.2	1.4	2.5	1.1	2.0					0.9	1.0*	14.65
- 3.0	WLC	5.0*	5.0*	6.5	7.5*	4.1	7.3	2.9	5.2	2.2	3.9	1.7	3.0	1.3	2.4	1.0	2.0					0.9	1.2*	14.22
- 4.5	WLC	5.9*	5.9*	6.4	8.2*	4.0	7.2	2.8	5.0	2.1	3.8	1.6	3.0	1.2	2.4	1.0	1.8*					1.0	1.5*	13.61
- 6.0	WLC	7.0*	7.0*	6.5	9.1*	4.0	6.8*	2.8	5.0	2.1	3.8	1.6	2.9	1.2	2.4							1.1	2.0*	12.79
- 7.5	WLC	8.1*	8.1*	6.7	8.0*	4.1	6.2*	2.9	4.9*	2.1	3.8	1.6	3.0									1.3	2.5	11.72
- 9.0	WLC	9.0*	9.0*	6.6*	6.6*	4.3	5.2*	3.0	4.1*	2.2	3.2*											1.8	2.6*	10.33
- 10.5	WLC			4.6*	4.6*	3.7*	3.7*	2.9*	2.9*													2.4*	2.4*	8.44

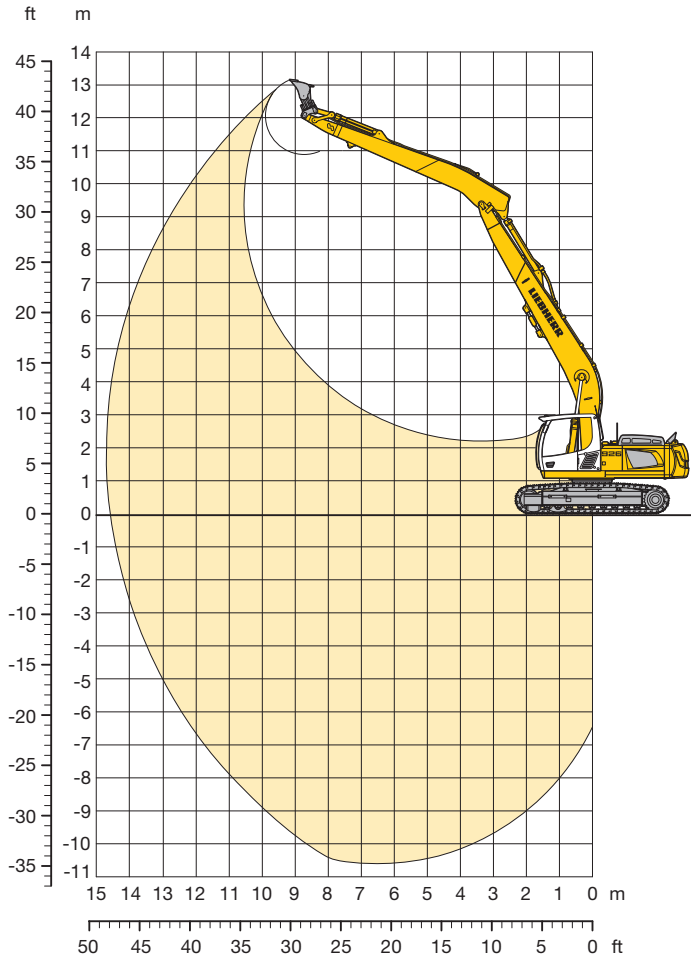
Height Can be slewed though 360° In longitudinal position of undercarriage Max. reach * Limited by hydr. capacity

The lift capacities are stated in metric tonnes (t) on the backhoe bucket's load hook and can be lifted 360° on firm, level supporting surface. Adjacent values are valid for the undercarriage when in the longitudinal position. Capacities are valid for 600 mm wide triple-grouser pads. Indicated loads are based on ISO 10567 standard and do not exceed 75 % of tipping or 87 % of hydraulic capacity (indicated by *). Without bucket the lift capacities will increase by 430 kg, without bucket cylinder, link and lever they increase by an additional 315 kg.

According to European Standard, EN 474-5: In the European Union excavators have to be equipped with an overload warning device, a load diagram and automatic check valves on the hoist cylinders, when they are used for lifting operations which require the use of lifting accessories.

Ditchcleaning Attachment «Multi-User»

with Gooseneck Boom 8.20 m for Ditchcleaning Attachment



Digging Envelope for Ditchcleaning Bucket

Stick length	m	6.00
Max. digging depth	m	10.60
Max. reach at ground level	m	14.60
Max. dump height	m	10.90
Max. teeth height	m	13.15
Digging force ISO	kN	75.0
	t	7.6
Breakout force ISO	kN	148.0
	t	15.1

Operating Weight and Ground Pressure

Operating weight includes basic machine with counterweight 6.0 t, gooseneck boom 8.20 m for ditchcleaning attachment, stick 6.00 m for ditchcleaning attachment and bucket 0.60 m³ (430 kg).

Undercarriage		SLC			LC			WLC		
Pad width	mm	500	600	750	500	600	750	500	600	750
Weight	kg	27,050	27,300	28,050	27,100	27,350	28,100	27,150	27,400	28,150
Ground pressure	kg/cm ²	0.65	0.55	0.45	0.66	0.55	0.45	0.66	0.55	0.45

Ditchcleaning Bucket

Cutting width SAE	mm	2,000	2,000 ¹⁾	2,000	2,000 ¹⁾
Capacity ISO 7451	m ³	0.40	0.50	0.70	0.70
Weight	kg	370	680	500	800
Specific weight with SLC-Undercarriage	t/m ³	1.80	1.50	1.20	–
Specific weight with LC-Undercarriage	t/m ³	1.80	1.80	1.50	1.20
Specific weight with WLC-Undercarriage	t/m ³	1.80	1.80	1.50	1.20

¹⁾ Ditchcleaning bucket 2 x 50° tiltable

Bucket

Cutting width SAE	mm	500	650	850	1,050	1,250
Capacity ISO 7451	m ³	0.30	0.45	0.60	0.80	0.95
Weight	kg	330	390	430	510	610
Specific weight with SLC-Undercarriage	t/m ³	1.80	1.80	1.50	1.20	–
Specific weight with LC-Undercarriage	t/m ³	1.80	1.80	1.80	1.50	1.20
Specific weight with WLC-Undercarriage	t/m ³	1.80	1.80	1.80	1.50	1.20

Lift Capacities

with Gooseneck Boom 8.20 m for Ditchcleaning Attachment

Stick 6.00 m for Ditchcleaning Attachment

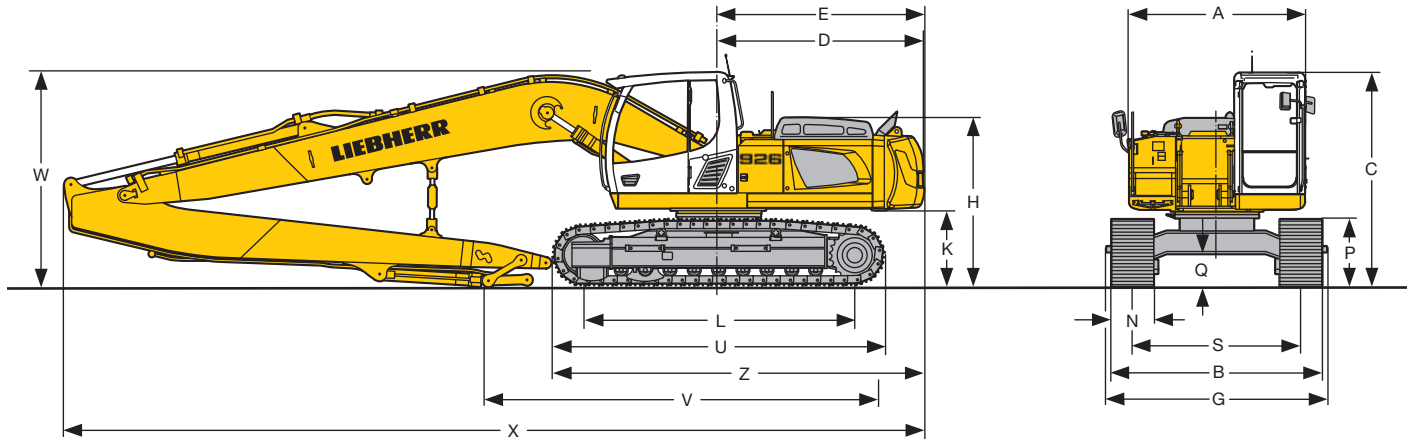
↑ m	Under-carriage	3.0 m		4.5 m		6.0 m		7.5 m		9.0 m		10.5 m		12.0 m		13.5 m		15.0 m		m			
10.5	SLC											1.0*	1.0*							1.0*	1.0*	10.54	
	LC											1.0*	1.0*							1.0*	1.0*		
	WLC											1.0*	1.0*							1.0*	1.0*		
9.0	SLC											1.9*	1.9*							0.9*	0.9*	11.63	
	LC											1.9*	1.9*							0.9*	0.9*		
	WLC											1.9*	1.9*							0.9*	0.9*		
7.5	SLC											2.5*	2.5*	1.4*	1.4*					0.9*	0.9*	12.44	
	LC											2.5*	2.5*	1.4*	1.4*					0.9*	0.9*		
	WLC											2.5*	2.5*	1.4*	1.4*					0.9*	0.9*		
6.0	SLC									3.2*	3.2*	2.4	2.9*	1.7	2.1*					0.9*	0.9*	13.03	
	LC									3.2*	3.2*	2.5	2.9*	1.9	2.1*					0.9*	0.9*		
	WLC									3.2*	3.2*	2.8	2.9*	2.1*	2.1*					0.9*	0.9*		
4.5	SLC							3.9*	3.9*	3.1	3.5*	2.2	3.2*	1.6	2.6*					0.9*	0.9*	13.42	
	LC							3.9*	3.9*	3.3	3.5*	2.4	3.2*	1.8	2.6*					0.9*	0.9*		
	WLC							3.9*	3.9*	3.5*	3.5*	2.7	3.2*	2.0	2.6*					0.9*	0.9*		
3.0	SLC			7.5*	7.5*	5.6*	5.6*	3.9	4.5*	2.8	3.9*	2.1	3.4*	1.5	3.0	1.1	1.2*			1.0*	1.0*	13.64	
	LC			7.5*	7.5*	5.6*	5.6*	4.1	4.5*	3.0	3.9*	2.2	3.4*	1.7	3.0	1.2	1.2*			1.0*	1.0*		
	WLC			7.5*	7.5*	5.6*	5.6*	4.5*	4.5*	3.3	3.9*	2.5	3.4*	1.9	3.0	1.2*	1.2*			1.0*	1.0*		
1.5	SLC	5.7*	5.7*	7.4	9.4*	4.9	6.6*	3.5	5.1*	2.5	4.3*	1.9	3.7*	1.4	2.9	1.0	1.4*			1.0	1.1*	13.69	
	LC	5.7*	5.7*	8.0	9.4*	5.2	6.6*	3.7	5.1*	2.7	4.3*	2.1	3.7*	1.6	2.9	1.2	1.4*			1.1*	1.1*		
	WLC	5.7*	5.7*	8.9	9.4*	5.8	6.6*	4.1	5.1*	3.1	4.3*	2.3	3.7*	1.8	2.9	1.4	1.4*			1.1*	1.1*		
0	SLC	4.5*	4.5*	6.4	10.5*	4.3	7.4*	3.1	5.6*	2.3	4.5	1.7	3.5	1.3	2.8	1.0	1.4*			1.0	1.2*	13.57	
	LC	4.5*	4.5*	7.0	10.5*	4.7	7.4*	3.3	5.6*	2.5	4.5	1.9	3.5	1.4	2.8	1.1	1.4*			1.1	1.2*		
	WLC	4.5*	4.5*	7.9	10.5*	5.2	7.4*	3.8	5.6*	2.8	4.5	2.2	3.5	1.7	2.8	1.3	1.4*			1.2*	1.2*		
-1.5	SLC	5.1*	5.1*	5.9	9.2*	3.9	7.8*	2.8	5.7	2.1	4.3	1.6	3.4	1.2	2.7					1.0	1.4*	13.27	
	LC	5.1*	5.1*	6.5	9.2*	4.3	7.8*	3.1	5.7	2.3	4.3	1.8	3.4	1.4	2.7					1.1	1.4*		
	WLC	5.1*	5.1*	7.4	9.2*	4.8	7.8*	3.5	5.7	2.6	4.3	2.0	3.4	1.6	2.7					1.3	1.4*		
-3.0	SLC	6.2*	6.2*	5.7	9.6*	3.7	7.8	2.7	5.5	2.0	4.2	1.5	3.3	1.2	2.7					1.0	1.7*	12.80	
	LC	6.2*	6.2*	6.3	9.6*	4.1	7.8	2.9	5.5	2.2	4.2	1.7	3.3	1.3	2.7					1.2	1.7*		
	WLC	6.2*	6.2*	7.2	9.6*	4.6	7.8	3.3	5.5	2.5	4.2	1.9	3.3	1.5	2.7					1.4	1.7*		
-4.5	SLC	7.4*	7.4*	5.7	10.2*	3.6	7.6*	2.6	5.4	1.9	4.1	1.5	3.2	1.2	2.4*					1.1	2.1*	12.12	
	LC	7.4*	7.4*	6.2	10.2*	4.0	7.6*	2.8	5.4	2.1	4.1	1.6	3.2	1.3	2.4*					1.3	2.1*		
	WLC	7.4*	7.4*	7.2	10.2*	4.5	7.6*	3.2	5.5	2.4	4.1	1.9	3.3	1.5	2.4*					1.5	2.1*		
-6.0	SLC	8.9*	8.9*	5.8	9.2*	3.7	7.0*	2.6	5.4	1.9	4.1	1.5	3.3							1.4	2.7*	11.19	
	LC	8.9*	8.9*	6.4	9.2*	4.0	7.0*	2.8	5.4	2.1	4.1	1.7	3.3							1.5	2.7*		
	WLC	8.9*	8.9*	7.3	9.2*	4.6	7.0*	3.2	5.5	2.4	4.1	1.9	3.3							1.7	2.7*		
-7.5	SLC	10.5*	10.5*	6.1	7.8*	3.8	6.0*	2.7	4.7*	2.0	3.7*									1.7	3.1*	9.95	
	LC	10.5*	10.5*	6.6	7.8*	4.1	6.0*	2.9	4.7*	2.2	3.7*									1.9	3.1*		
	WLC	10.5*	10.5*	7.5	7.8*	4.7	6.0*	3.3	4.7*	2.5	3.7*									2.2	3.1*		
-9.0	SLC			5.7*	5.7*	4.1	4.5*	2.9	3.4*												2.5	2.9*	8.25
	LC			5.7*	5.7*	4.4	4.5*	3.1	3.4*												2.7	2.9*	
	WLC			5.7*	5.7*	4.5*	4.5*	3.4*	3.4*												2.9*	2.9*	

Height Can be slewed through 360° In longitudinal position of undercarriage Max. reach * Limited by hydr. capacity

The lift capacities are stated in metric tonnes (t) on the backhoe bucket's load hook and can be lifted 360° on firm, level supporting surface. Adjacent values are valid for the undercarriage when in the longitudinal position. Capacities are valid for 600 mm wide triple-grouser pads. Indicated loads are based on ISO 10567 standard and do not exceed 75 % of tipping or 87 % of hydraulic capacity (indicated by *). Without bucket the lift capacities will increase by 430 kg, without bucket cylinder, link and lever they increase by an additional 315 kg.

According to European Standard, EN 474-5: In the European Union excavators have to be equipped with an overload warning device, a load diagram and automatic check valves on the hoist cylinders, when they are used for lifting operations which require the use of lifting accessories.

Dimensions



	SLC	mm	LC	mm	WLC	mm			
A		2,500		2,500		2,500			
C		3,057		3,057		3,057			
D		2,920		2,920		2,920			
E		2,940		2,940		2,940			
H		2,412		2,412		2,412			
K		1,105		1,105		1,105			
L		3,838		3,838		3,838			
P		955		955		955			
Q		460		460		460			
S		2,250		2,380		2,590			
U		4,700		4,700		4,700			
N	500	600	750	500	600	750	500	600	750
B	2,810	2,850	3,000	2,974	2,980	3,130	3,184	3,190	3,340
G	2,810	2,850	3,110	2,974	2,980	3,274	3,184	3,190	3,484
Z		5,275		5,275		5,275			5,275

Gooseneck Boom 8.20 m for Ditchcleaning Attachment, Stick 6.00 m for Ditchcleaning Attachment		mm
V		7,150
W		3,050
X		11,550

Gooseneck Boom 9.00 m for Ditchcleaning Attachment, Stick 6.80 m for Ditchcleaning Attachment and WLC-Undercarriage		mm
V		5,500
W		3,000
X		13,000

Liebherr-France SAS

2 avenue Joseph Rey, B.P. 90287, F-68005 Colmar Cedex

+33 389 21 30 30, Fax +33 389 21 37 93

www.liebherr.com, E-Mail: info.lfr@liebherr.com