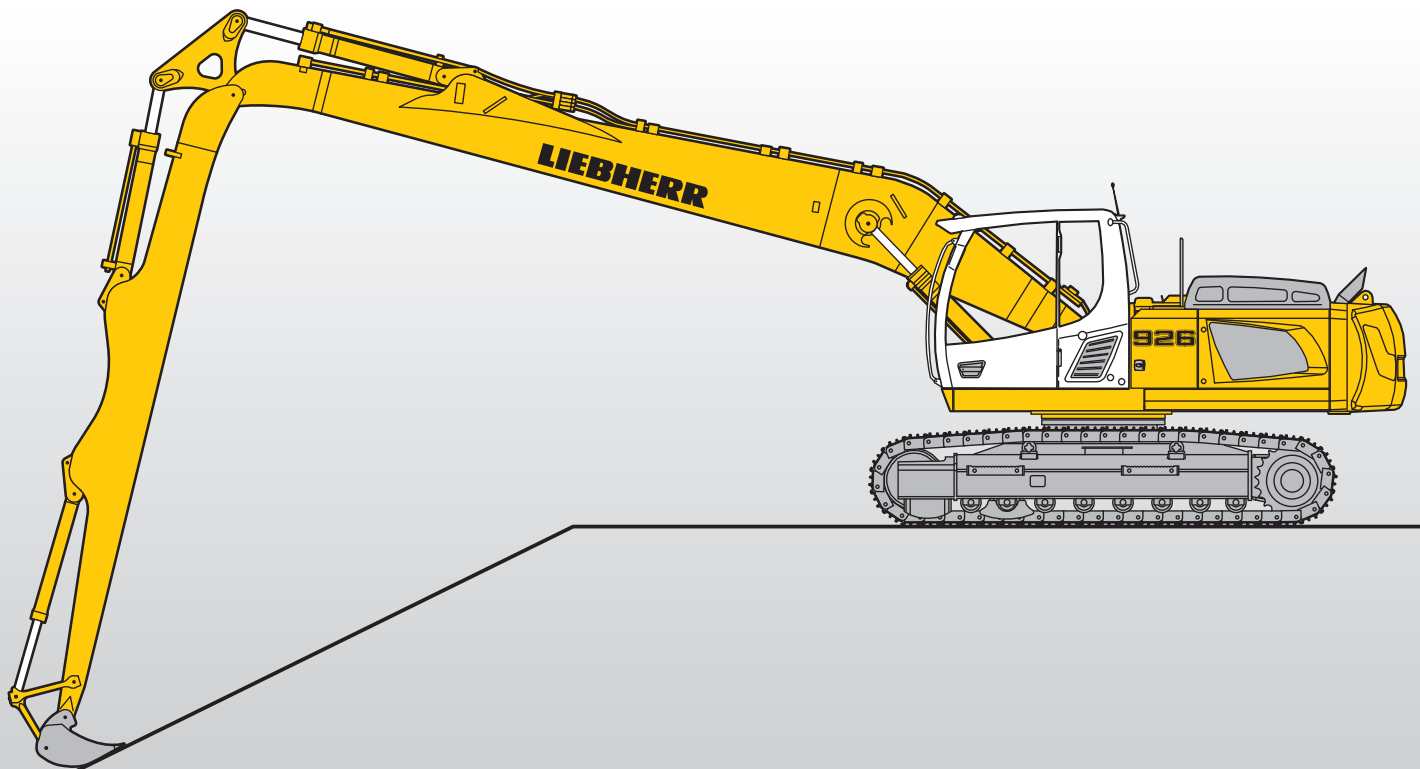


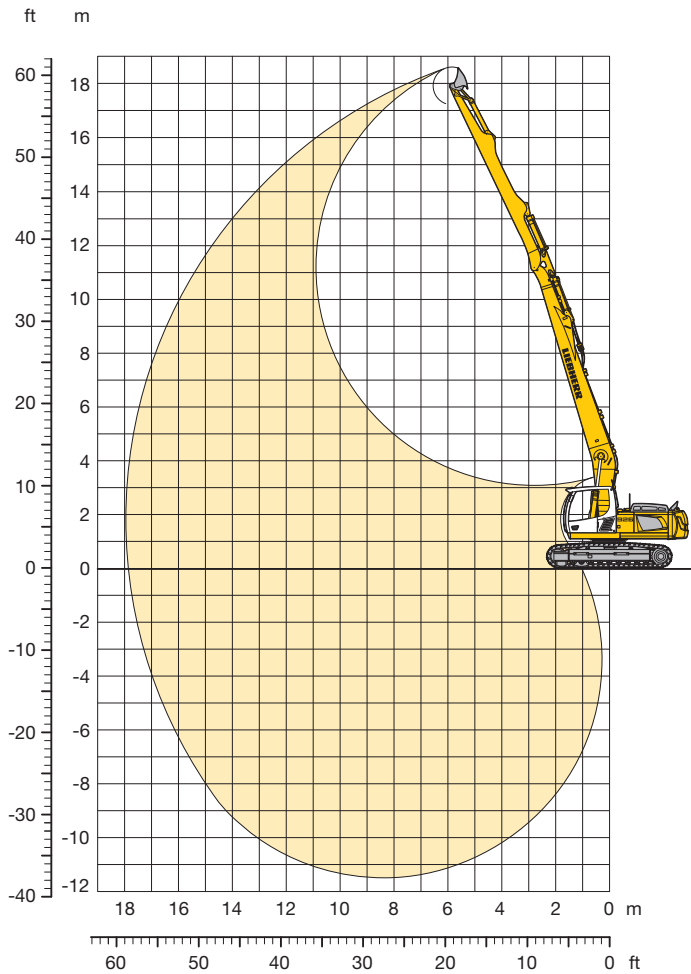
## Attachment Information

Liebherr Crawler Excavator  
with Ditchcleaning Attachment



# Ditchcleaning Attachment

with Gooseneck Boom 9.70 m for Ditchcleaning Attachment and WLC-Undercarriage



## Digging Envelope for Ditchcleaning Bucket

Stick length	m	7.40
Max. digging depth	m	11.50
Max. reach at ground level	m	17.85
Max. dump height	m	17.25
Max. teeth height	m	18.60
Digging force ISO	kN	40.1
	t	4.2
Breakout force ISO	kN	96.2
	t	9.8

## Operating Weight and Ground Pressure

Operating weight includes basic machine with counterweight 6.0 t, gooseneck boom 9.70 m for ditchcleaning attachment, stick 7.40 m for ditchcleaning attachment and ditchcleaning bucket 0.45 m<sup>3</sup> (200 kg).

Undercarriage		WLC	
Pad width	mm	600	750
Weight	kg	27,100	27,850
Ground pressure	kg/cm <sup>2</sup>	0.55	0.45

## Ditchcleaning Bucket for Ditchcleaning Attachment

Cutting width SAE	mm	2,000	2,000 <sup>1)</sup>
Capacity ISO 7451	m <sup>3</sup>	0.45	0.45
Weight	kg	200	370

<sup>1)</sup> Ditchcleaning bucket 2 x 45° tiltable

# Lift Capacities

with Gooseneck Boom 9.70 m for Ditchcleaning Attachment and WLC-Undercarriage

## Stick 7.40 m for Ditchcleaning Attachment

Stick m	Under- carriage	3.0 m		4.5 m		6.0 m		7.5 m		9.0 m		10.5 m		12.0 m		13.5 m		15.0 m		16.5 m		m			
16.5	WLC																					2.6*	2.6*	8.88	
15.0	WLC											1.9*	1.9*										2.0*	2.0*	11.02
13.5	WLC											1.7*	1.7*	1.6*	1.6*								1.7*	1.7*	12.63
12.0	WLC											1.6*	1.6*	1.6*	1.6*	1.5*	1.5*						1.5*	1.5*	13.88
10.5	WLC											1.6*	1.6*	1.6*	1.6*	1.5*	1.5*						1.3	1.4*	14.88
9.0	WLC											1.7*	1.7*	1.7*	1.7*	1.6*	1.6*	1.4	1.4*				1.1	1.3*	15.67
7.5	WLC											1.9*	1.9*	1.8*	1.8*	1.7*	1.7*	1.4	1.5*				1.0	1.2*	16.28
6.0	WLC										2.3*	2.3*	2.2*	2.2*	2.0*	2.0*	1.8	1.8*	1.3	1.6*	1.0	1.2*	0.9	1.2*	16.73
4.5	WLC					4.1*	4.1*	3.5*	3.5*	3.0*	3.0*	2.7*	2.7*	2.2	2.4*	1.7	2.1*	1.3	1.8*	1.0	1.4*	0.8	1.1*	17.04	
3.0	WLC	9.2*	9.2*	9.1*	9.1*	6.5	6.6*	4.6	5.2*	3.4	4.3*	2.6	3.5*	2.0	2.8*	1.6	2.4*	1.2	1.9*	0.9	1.5*	0.8	1.1*	17.21	
1.5	WLC	3.1*	3.1*	8.1*	8.1*	5.7	7.4*	4.1	5.7*	3.1	4.6*	2.4	3.8	1.9	3.0	1.5	2.5	1.2	2.0	0.9	1.6*	0.8	1.2*	17.24	
0	WLC	2.8*	2.8*	5.0*	5.0*	5.1	7.8*	3.7	6.0	2.9	4.6	2.2	3.6	1.8	2.9	1.4	2.4	1.1	2.0	0.9	1.6*	0.8	1.2*	17.15	
- 1.5	WLC	3.0*	3.0*	4.4*	4.4*	4.7	7.7*	3.5	5.7	2.7	4.3	2.1	3.4	1.7	2.8	1.3	2.3	1.1	1.9	0.8	1.6*	0.8	1.2*	16.92	
- 3.0	WLC	3.2*	3.2*	4.4*	4.4*	4.5	6.9*	3.3	5.5	2.5	4.2	2.0	3.3	1.6	2.7	1.3	2.2	1.0	1.9	0.9	1.3*	0.9	1.3*	16.55	
- 4.5	WLC	3.5*	3.5*	4.6*	4.6*	4.4	6.8*	3.2	5.4	2.4	4.1	1.9	3.3	1.5	2.7	1.2	2.2	1.0	1.9			0.9	1.4*	16.03	
- 6.0	WLC	4.0*	4.0*	5.1*	5.1*	4.4	6.6*	3.2	5.4*	2.4	4.1	1.9	3.2	1.5	2.6	1.2	2.2	1.1	1.7*			1.1	1.3*	15.34	
- 7.5	WLC	4.5*	4.5*	5.8*	5.8*	4.5	5.7*	3.2	4.7*	2.4	3.9*	1.9	3.2*	1.5	2.5*	1.3	1.9*					1.0*	1.0*	14.47	
- 9.0	WLC			5.3*	5.3*	4.5*	4.5*	3.3	3.7*	2.5	3.1*	2.0	2.5*	1.6	1.8*							0.9*	0.9*	13.19	
- 10.5	WLC							2.5*	2.5*	2.0*	2.0*											1.4*	1.4*	10.33	

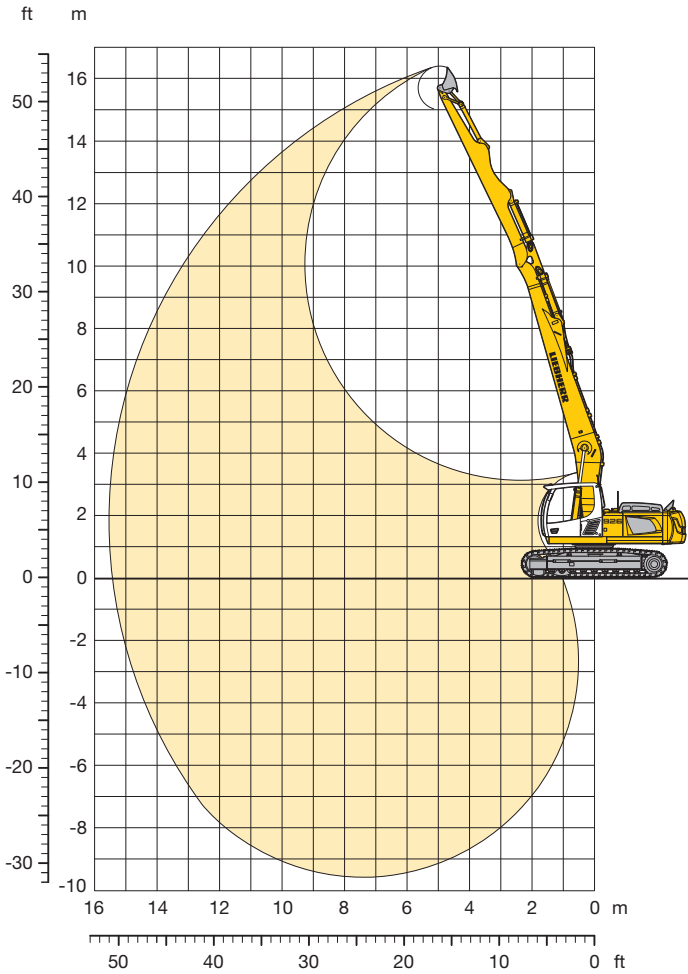
Height Can be slewed though 360° In longitudinal position of undercarriage Max. reach \* Limited by hydr. capacity

The lift capacities are stated in metric tonnes (t) on the articulation stick/bucket (bucket's weight included) and can be lifted 360° on firm, level supporting surface. Adjacent values are valid for the undercarriage when in the longitudinal position. Capacities are valid for 600 mm wide triple-grouser pads. Indicated loads are based on ISO 10567 standard and do not exceed 75 % of tipping or 87 % of hydraulic capacity. Without bucket (0.45 m³), the lift capacities will increase by 200 kg, without bucket cylinder, link and lever they increase by an additional 130 kg.

According to European Standard, EN 474-5: In the European Union excavators have to be equipped with an overload warning device, a load diagram and automatic check valves on the hoist cylinders, when they are used for lifting operations which require the use of lifting accessories.

# Ditchcleaning Attachment

with Gooseneck Boom 8.50 m for Ditchcleaning Attachment



## Digging Envelope for Ditchcleaning Bucket

Stick length	m	6.20
Max. digging depth	m	9.60
Max. reach at ground level	m	15.45
Max. dump height	m	15.00
Max. teeth height	m	16.40
Digging force ISO	kN	48.0
	t	4.9
Breakout force ISO	kN	96.2
	t	9.8

## Operating Weight and Ground Pressure

Operating weight includes basic machine with counterweight 6.0 t, gooseneck boom 8.50 m for ditchcleaning attachment, stick 6.20 m for ditchcleaning attachment and ditchcleaning bucket 0.45 m<sup>3</sup> (200 kg).

Undercarriage		SLC		LC		WLC	
Pad width	mm	600	750	600	750	600	750
Weight	kg	26,500	27,250	26,550	27,300	26,600	27,350
Ground pressure	kg/cm <sup>2</sup>	0.53	0.44	0.53	0.44	0.54	0.44

## Ditchcleaning Bucket for Ditchcleaning Attachment

Cutting width SAE	mm	2,000	2,000 <sup>1)</sup>
Capacity ISO 7451	m <sup>3</sup>	0.45	0.45
Weight	kg	200	370

<sup>1)</sup> Ditchcleaning bucket 2 x 45° tiltable

# Lift Capacities

with Gooseneck Boom 8.50 m for Ditchcleaning Attachment

## Stick 6.20 m for Ditchcleaning Attachment

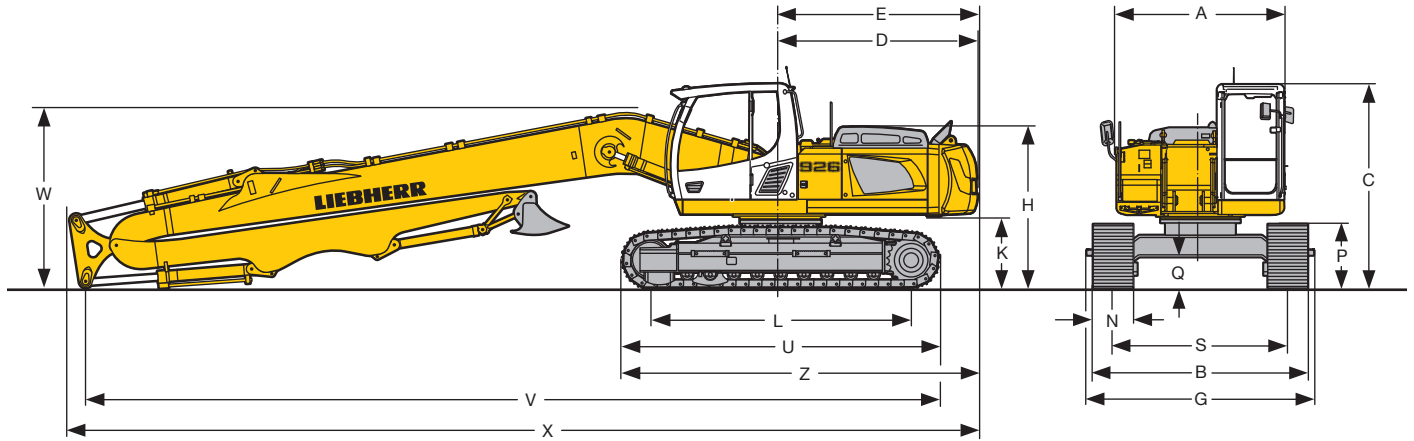
m	Under-carriage	3.0 m		4.5 m		6.0 m		7.5 m		9.0 m		10.5 m		12.0 m		13.5 m		15.0 m		16.5 m		m			
15.0	SLC																					3.9*	3.9*	6.62	
	LC																						3.9*		3.9*
	WLC																								3.9*
13.5	SLC									2.7*	2.7*												2.8*	2.8*	9.06
	LC									2.7*	2.7*												2.8*	2.8*	
	WLC									2.7*	2.7*												2.8*	2.8*	
12.0	SLC									2.3*	2.3*	2.3*	2.3*										2.4*	2.4*	10.75
	LC									2.3*	2.3*	2.3*	2.3*										2.4*	2.4*	
	WLC									2.3*	2.3*	2.3*	2.3*										2.4*	2.4*	
10.5	SLC									2.2*	2.2*	2.2*	2.2*	1.9	2.0*								1.9	2.1*	12.01
	LC									2.2*	2.2*	2.2*	2.2*	2.0*	2.0*								2.1	2.1*	
	WLC									2.2*	2.2*	2.2*	2.2*	2.0*	2.0*								2.1*	2.1*	
9.0	SLC									2.3*	2.3*	2.2*	2.2*	2.1	2.1*								1.6	1.9*	12.98
	LC									2.3*	2.3*	2.2*	2.2*	2.1*	2.1*								1.8	1.9*	
	WLC									2.3*	2.3*	2.2*	2.2*	2.1*	2.1*								1.9*	1.9*	
7.5	SLC									2.4*	2.4*	2.3*	2.3*	2.1	2.2*	1.5	1.8*						1.4	1.8*	13.71
	LC									2.4*	2.4*	2.3*	2.3*	2.2*	2.2*	1.6	1.8*						1.5	1.8*	
	WLC									2.4*	2.4*	2.3*	2.3*	2.2*	2.2*	1.8	1.8*						1.7	1.8*	
6.0	SLC							2.9*	2.9*	2.8*	2.8*	2.6*	2.6*	2.0	2.4*	1.5	2.0*						1.3	1.7*	14.25
	LC							2.9*	2.9*	2.8*	2.8*	2.6*	2.6*	2.2	2.4*	1.6	2.0*						1.4	1.7*	
	WLC							2.9*	2.9*	2.8*	2.8*	2.6*	2.6*	2.4*	2.4*	1.8	2.0*						1.6	1.7*	
4.5	SLC					4.6*	4.6*	4.0*	4.0*	3.3	3.4*	2.5	3.0*	1.9	2.6*	1.5	2.2*						1.2	1.7*	14.61
	LC					4.6*	4.6*	4.0*	4.0*	3.4*	3.4*	2.7	3.0*	2.1	2.6*	1.6	2.2*						1.3	1.7*	
	WLC					4.6*	4.6*	4.0*	4.0*	3.4*	3.4*	2.9	3.0*	2.3	2.6*	1.8	2.2*						1.5	1.7*	
3.0	SLC	12.4*	12.4*	8.8	9.9*	5.8	7.3*	4.1	5.8*	3.1	4.7*	2.4	3.7*	1.9	3.0*	1.5	2.4*						1.1	1.7*	14.81
	LC	12.4*	12.4*	9.4	9.9*	6.2	7.3*	4.4	5.8*	3.3	4.7*	2.5	3.7*	2.0	3.0*	1.6	2.4*						1.2	1.7*	
	WLC	12.4*	12.4*	9.9*	9.9*	6.8	7.3*	4.8	5.8*	3.6	4.7*	2.8	3.7*	2.2	3.0*	1.8	2.4*						1.4	1.7*	
1.5	SLC	4.2*	4.2*	7.7	11.4*	5.2	8.1*	3.8	6.3*	2.9	5.1	2.2	4.0	1.8	3.2	1.4	2.6*						1.1	1.7*	14.85
	LC	4.2*	4.2*	8.2	11.4*	5.5	8.1*	4.0	6.3*	3.1	5.1	2.4	4.0	1.9	3.2	1.5	2.6*						1.2	1.7*	
	WLC	4.2*	4.2*	9.2	11.4*	6.1	8.1*	4.5	6.3*	3.4	5.1	2.7	4.0	2.1	3.3	1.7	2.6*						1.4	1.7*	
0	SLC	3.8*	3.8*	6.9	7.0*	4.7	8.6*	3.5	6.4	2.7	4.9	2.1	3.9	1.7	3.2	1.3	2.6						1.1	1.7*	14.74
	LC	3.8*	3.8*	7.0*	7.0*	5.1	8.6*	3.7	6.4	2.9	4.9	2.3	3.9	1.8	3.2	1.5	2.6						1.2	1.7*	
	WLC	3.8*	3.8*	7.0*	7.0*	5.7	8.6*	4.2	6.4	3.2	4.9	2.5	3.9	2.0	3.2	1.6	2.6						1.4	1.7*	
-1.5	SLC	4.0*	4.0*	6.1*	6.1*	4.5	8.6	3.3	6.2	2.5	4.7	2.0	3.8	1.6	3.1	1.3	2.6						1.2	1.8*	14.47
	LC	4.0*	4.0*	6.1*	6.1*	4.8	8.6	3.5	6.2	2.7	4.7	2.2	3.8	1.7	3.1	1.4	2.6						1.3	1.8*	
	WLC	4.0*	4.0*	6.1*	6.1*	5.4	8.6	3.9	6.2	3.0	4.7	2.4	3.8	2.0	3.1	1.6	2.6						1.4	1.8*	
-3.0	SLC	4.4*	4.4*	6.2*	6.2*	4.3	8.4*	3.2	6.0	2.4	4.6	1.9	3.7	1.6	3.0	1.3	2.6						1.2	1.9*	14.03
	LC	4.4*	4.4*	6.2*	6.2*	4.6	8.4*	3.4	6.0	2.6	4.6	2.1	3.7	1.7	3.0	1.4	2.6						1.4	1.9*	
	WLC	4.4*	4.4*	6.2*	6.2*	5.2	8.4*	3.8	6.0	2.9	4.6	2.4	3.7	1.9	3.1	1.6	2.6						1.5	1.9*	
-4.5	SLC	5.0*	5.0*	6.5	6.7*	4.3	7.7*	3.1	6.0	2.4	4.6	1.9	3.7	1.6	3.0								1.4	2.1*	13.42
	LC	5.0*	5.0*	6.7*	6.7*	4.6	7.7*	3.4	6.0	2.6	4.6	2.1	3.7	1.7	3.0								1.5	2.1*	
	WLC	5.0*	5.0*	6.7*	6.7*	5.2	7.7*	3.8	6.0	2.9	4.6	2.3	3.7	1.9	3.0								1.7	2.1*	
-6.0	SLC	5.7*	5.7*	6.7	7.7*	4.3	6.7*	3.1	5.5*	2.4	4.4*	1.9	3.5*	1.6	2.5*								1.6	1.7*	12.59
	LC	5.7*	5.7*	7.2	7.7*	4.7	6.7*	3.4	5.5*	2.6	4.4*	2.1	3.5*	1.7	2.5*								1.7	1.7*	
	WLC	5.7*	5.7*	7.7*	7.7*	5.2	6.7*	3.8	5.5*	2.9	4.4*	2.3	3.5*	2.0	2.5*								1.7*	1.7*	
-7.5	SLC			6.4*	6.4*	4.5	5.3*	3.2	4.3*	2.5	3.5*	2.0	2.5*										1.6*	1.6*	11.30
	LC			6.4*	6.4*	4.8	5.3*	3.5	4.3*	2.7	3.5*	2.2	2.5*										1.6*	1.6*	
	WLC			6.4*	6.4*	5.3*	5.3*	3.9	4.3*	3.0	3.5*	2.4	2.5*										1.6*	1.6*	

Height Can be slewed through 360° In longitudinal position of undercarriage Max. reach \* Limited by hydr. capacity

The lift capacities are stated in metric tonnes (t) on the articulation stick/bucket (bucket's weight included) and can be lifted 360° on firm, level supporting surface. Adjacent values are valid for the undercarriage when in the longitudinal position. Capacities are valid for 600 mm wide triple-grouser pads. Indicated loads are based on ISO 10567 standard and do not exceed 75 % of tipping or 87 % of hydraulic capacity. Without bucket (0.45 m<sup>3</sup>), the lift capacities will increase by 200 kg, without bucket cylinder, link and lever they increase by an additional 130 kg.

According to European Standard, EN 474-5: In the European Union excavators have to be equipped with an overload warning device, a load diagram and automatic check valves on the hoist cylinders, when they are used for lifting operations which require the use of lifting accessories.

# Dimensions



	<b>SLC</b>	mm	<b>LC</b>	mm	<b>WLC</b>	mm
A		2,500		2,500		2,500
C		3,057		3,057		3,057
D		2,920		2,920		2,920
E		2,940		2,940		2,940
H		2,412		2,412		2,412
K		1,105		1,105		1,105
L		3,838		3,838		3,838
P		955		955		955
Q		460		460		460
S		2,250		2,380		2,590
U		4,700		4,700		4,700
N	600	750	600	750	600	750
B	2,850	3,000	2,980	3,130	3,190	3,340
G	2,850	3,110	2,980	2,980	3,190	3,484
Z		5,275		5,275		5,275

## Gooseneck Boom 9.70 m for Ditchcleaning Attachment, Stick 7.40 m for Ditchcleaning Attachment and WLC-Undercarriage mm

V	12,640
W	2,660
X	13,500

## Gooseneck Boom 8.50 m for Ditchcleaning Attachment, Stick 6.20 m for Ditchcleaning Attachment mm

V	11,400
W	2,600
X	12,300

### Liebherr-France SAS

2 avenue Joseph Rey, B.P. 90287, F-68005 Colmar Cedex

+33 389 21 30 30, Fax +33 389 21 37 93

www.liebherr.com, E-Mail: info.lfr@liebherr.com