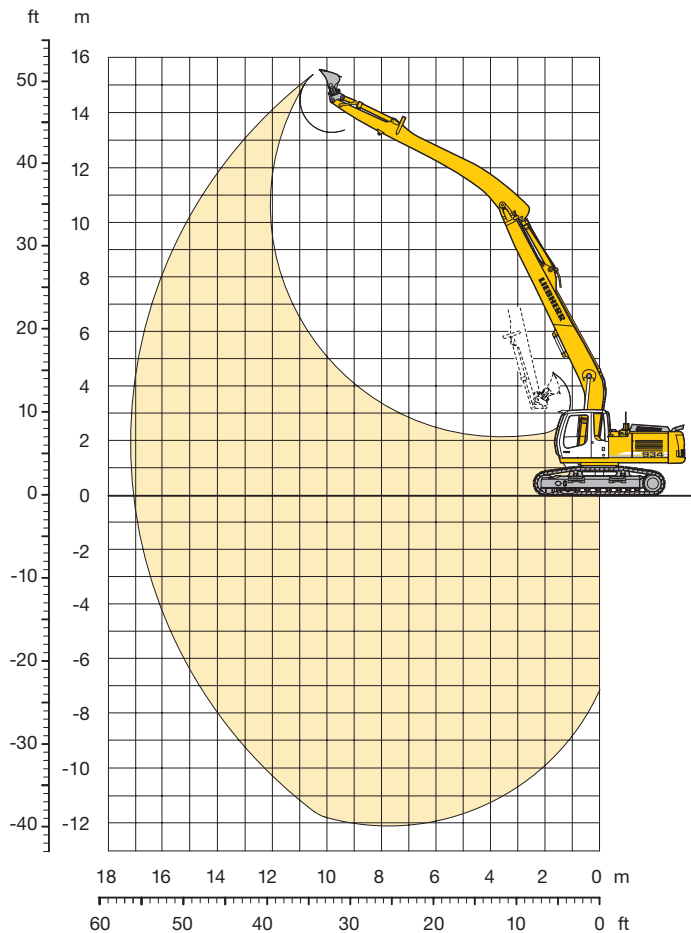


Ditchcleaning Attachment «Multi-User» with Gooseneck Boom 9,30 m and HD-SL-Undercarriage



Digging Envelope for Ditchcleaning Bucket

Stick length	m	7,30
Max. digging depth	m	12,05
Max. reach at ground level	m	17,05
Max. dump height	m	13,25
Max. teeth height	m	15,55
Digging force ISO	kN	63,0
	t	6,4
Breakout force ISO	kN	141,0
	t	14,4

Operating Weight and Ground Pressure

Operating weight includes basic machine with counterweight 6,5 t, gooseneck boom 9,30 m, stick 7,30 m and ditchcleaning bucket with 0,40 m³.

Undercarriage		HD-SL	
Pad width	mm	600	750
Weight	kg	33100	33600
Ground pressure	kg/cm ²	0,67	0,54

Ditchcleaning Bucket Type 904

Cutting width SAE	mm	2000	2000 ¹⁾
Capacity ISO 7451	m ³	0,40	0,50
Weight	kg	370	700
Specific weight	t/m ³	1,8	1,8

¹⁾ Ditchcleaning bucket 2 x 50° tiltable

Backhoe Bucket Type 904

Cutting width SAE	mm	850	1050	1250
Capacity ISO 7451	m ³	0,55	0,70	0,90
Weight	kg	540	620	710
Specific weight	t/m ³	1,8	1,5	1,2

Lift Capacities

with Gooseneck Boom 9,30 m and HD-SL-Undercarriage

Stick 7,30 m

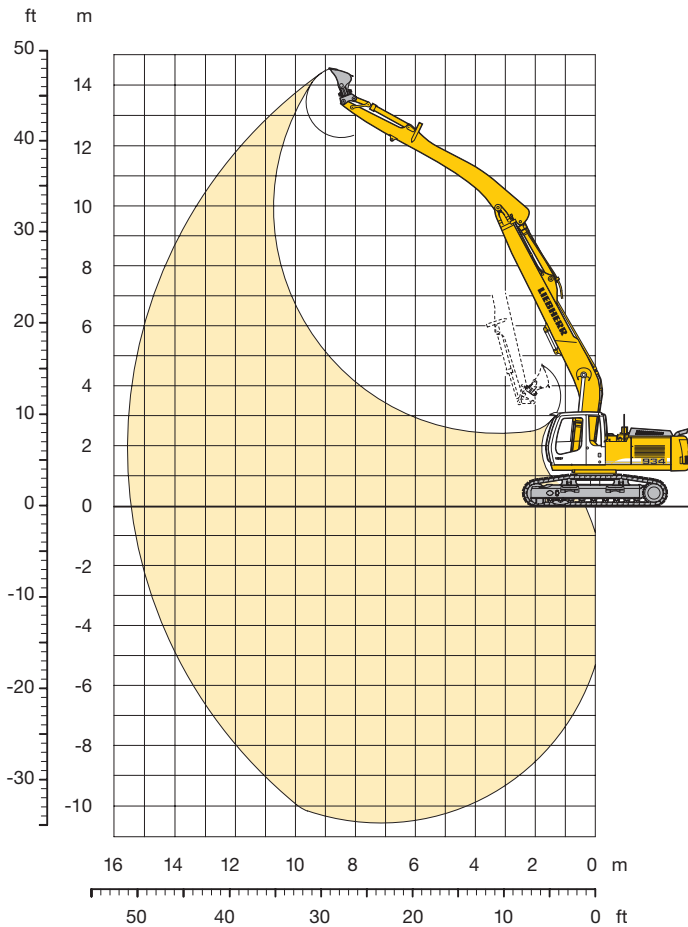
Height (m)	Under-carriage	Radius of load from centerline of machine (m)							
		4,5	6,0	7,5	9,0	10,5	12,0	13,5	15,0
12,0	HD-SL						0,9# (0,9#)		
10,5	HD-SL						1,4# (1,4#)	0,6# (0,6#)	
9,0	HD-SL						1,7# (1,7#)	1,2# (1,2#)	
7,5	HD-SL						2,0# (2,0#)	1,6# (1,6#)	0,6# (0,6#)
6,0	HD-SL					2,5# (2,5#)	2,3# (2,3#)	1,9# (1,9#)	1,0# (1,0#)
4,5	HD-SL				3,2# (3,2#)	3,0# (3,0#)	2,5 (2,7#)	1,9 (2,2#)	1,4# (1,4#)
3,0	HD-SL		5,9# (5,9#)	4,8# (4,8#)	4,0# (4,0#)	3,1 (3,5#)	2,3 (3,1#)	1,8 (2,6#)	1,3 (1,6#)
1,5	HD-SL	10,1# (10,1#)	6,9 (7,0#)	4,9 (5,4#)	3,7 (4,4#)	2,8 (3,7#)	2,1 (3,2#)	1,6 (2,8)	1,2 (1,8#)
0	HD-SL	6,9# (6,9#)	6,0 (7,8#)	4,4 (5,9#)	3,3 (4,8#)	2,5 (4,0#)	2,0 (3,3)	1,5 (2,7)	1,2 (1,9#)
- 1,5	HD-SL	5,9# (5,9#)	5,4 (8,3#)	3,9 (6,3#)	3,0 (5,0#)	2,3 (4,0)	1,8 (3,2)	1,4 (2,6)	1,1 (1,9#)
- 3,0	HD-SL	6,1# (6,1#)	5,1 (8,5#)	3,7 (6,3)	2,8 (4,8)	2,1 (3,8)	1,7 (3,1)	1,3 (2,5)	1,0 (1,5#)
- 4,5	HD-SL	6,7# (6,7#)	4,9 (8,3#)	3,5 (6,1)	2,6 (4,7)	2,0 (3,7)	1,6 (3,0)	1,3 (2,5)	
- 6,0	HD-SL	7,7# (7,7#)	4,9 (7,9#)	3,4 (6,1)	2,6 (4,6)	2,0 (3,6)	1,6 (2,9)	1,3 (2,5)	
- 7,5	HD-SL	8,0 (8,9#)	5,0 (7,2#)	3,5 (5,7#)	2,6 (4,6#)	2,0 (3,6)	1,6 (3,0)		
- 9,0	HD-SL	7,8# (7,8#)	5,2 (6,1#)	3,6 (4,9#)	2,7 (3,9#)	2,1 (3,1#)			
-10,5	HD-SL	5,8# (5,8#)	4,6# (4,6#)	3,7# (3,7#)	2,9# (2,9#)				

The lift capacities are stated in metric tonnes (t) on the backhoe bucket's load hook, and can be lifted 360° on firm, level supporting surface. Values quoted in brackets are valid for the undercarriage when in longitudinal position. Capacities are valid for 600 mm wide triple grouser pads. Indicated loads are based on ISO 10567 standard and do not exceed 75 % of tipping or 87 % of hydraulic capacity (indicated via #). Maximum load for the backhoe bucket's load hook is 12 t. Without bucket (0,55 m³), the lift capacities will increase by 540 kg, without bucket cylinder, link and lever they increase by an additional 270 kg. Lifting capacity of the excavator is limited by machine stability, hydraulic capacity and maximum permissible load of the load hook.

According to European Standard, EN 474-5: In the European Union excavators have to be equipped with an overload warning device, a load diagram and automatic check valves on the hoist cylinders, when they are used for lifting operations which require the use of lifting accessories.

Ditchcleaning Attachment «Multi-User»

with Gooseneck Boom 8,50 m and HD-SL-Undercarriage



Digging Envelope for Ditchcleaning Bucket

Stick length	m	6,30
Max. digging depth	m	10,50
Max. reach at ground level	m	15,40
Max. dump height	m	12,25
Max. teeth height	m	14,50
Digging force ISO	kN	72,0
	t	7,3
Breakout force ISO	kN	141,0
	t	14,4

Operating Weight and Ground Pressure

Operating weight includes basic machine with counterweight 6,5 t, gooseneck boom 8,50 m, stick 6,30 m and ditchcleaning bucket with 0,70 m³.

Undercarriage		HD-SL	
Pad width	mm	600	750
Weight	kg	32750	33250
Ground pressure	kg/cm ²	0,66	0,53

Ditchcleaning Bucket Type 904

Cutting width SAE	mm	2000	2000 ¹⁾
Capacity ISO 7451	m ³	0,70	0,70
Weight	kg	500	800
Specific weight	t/m ³	1,8	1,5

¹⁾ Ditchcleaning bucket 2 x 50° tiltable

Backhoe Bucket Type 904

Cutting width SAE	mm	850	1050	1250	1400
Capacity ISO 7451	m ³	0,55	0,70	0,90	1,05
Weight	kg	540	620	710	760
Specific weight	t/m ³	1,8	1,8	1,5	1,2

Lift Capacities

with Gooseneck Boom 8,50 m and HD-SL-Undercarriage

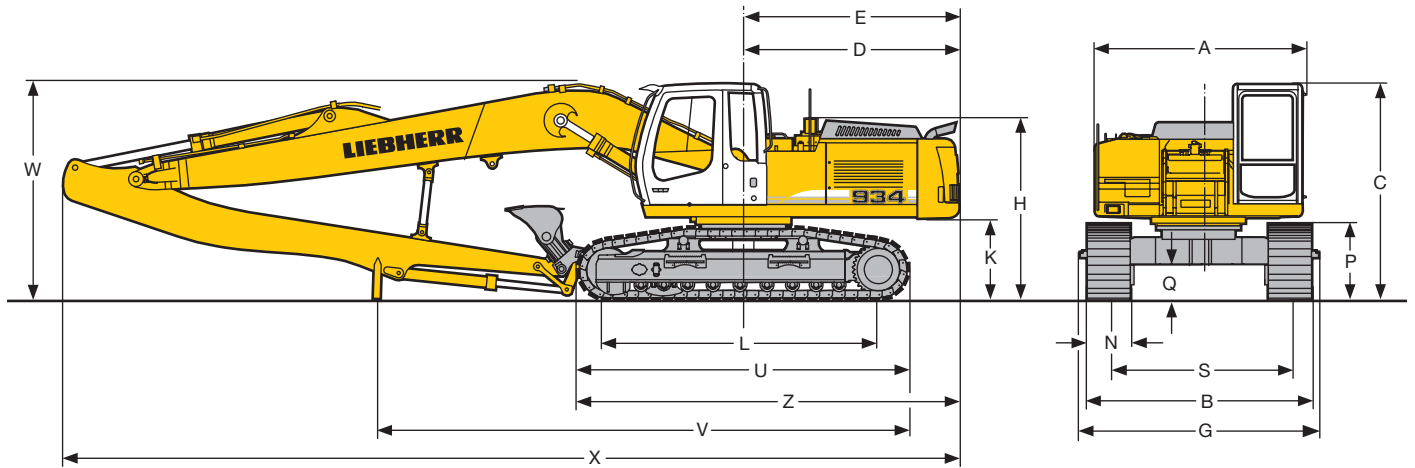
Stick 6,30 m

Height (m)	Under-carriage	Radius of load from centerline of machine (m)							
		4,5	6,0	7,5	9,0	10,5	12,0	13,5	15,0
12,0	HD-SL								
10,5	HD-SL					1,8# (1,8#)			
9,0	HD-SL					2,2# (2,2#)	1,5# (1,5#)		
7,5	HD-SL					2,5# (2,5#)	2,0# (2,0#)		
6,0	HD-SL				3,1# (3,1#)	2,9# (2,9#)	2,4# (2,4#)	1,3# (1,3#)	
4,5	HD-SL			4,0# (4,0#)	3,8# (3,8#)	3,4 (3,4#)	2,6 (2,8#)	1,8# (1,8#)	
3,0	HD-SL	9,1# (9,1#)	6,7# (6,7#)	5,4# (5,4#)	4,2 (4,6#)	3,2 (4,0#)	2,4 (3,3#)	1,9 (2,1#)	
1,5	HD-SL	10,8 (11,2#)	7,1 (7,8#)	5,1 (6,1#)	3,8 (5,0#)	2,9 (4,3#)	2,3 (3,7)	1,8 (2,4#)	
0	HD-SL	8,3# (8,3#)	6,4 (8,7#)	4,7 (6,6#)	3,5 (5,4#)	2,7 (4,4)	2,1 (3,5)	1,7 (2,5#)	
- 1,5	HD-SL	7,4# (7,4#)	5,9 (9,1#)	4,3 (7,0#)	3,3 (5,3)	2,6 (4,2)	2,0 (3,4)	1,6 (2,4#)	
- 3,0	HD-SL	7,8# (7,8#)	5,7 (9,1#)	4,1 (6,8)	3,1 (5,2)	2,4 (4,1)	2,0 (3,3)	1,6 (1,7#)	
- 4,5	HD-SL	8,7 (8,9#)	5,6 (8,8#)	4,0 (6,7)	3,0 (5,1)	2,4 (4,0)	1,9 (3,3)		
- 6,0	HD-SL	8,8 (10,4#)	5,6 (8,1#)	4,0 (6,4#)	3,0 (5,1)	2,4 (4,0)	2,0 (2,5#)		
- 7,5	HD-SL	9,0# (9,0#)	5,8 (7,0#)	4,1 (5,6#)	3,1 (4,5#)	2,5 (3,5#)			
- 9,0	HD-SL	6,8# (6,8#)	5,4# (5,4#)	4,3# (4,3#)	3,2# (3,2#)				
-10,5	HD-SL								

The lift capacities are stated in metric tonnes (t) on the backhoe bucket's load hook, and can be lifted 360° on firm, level supporting surface. Values quoted in brackets are valid for the undercarriage when in longitudinal position. Capacities are valid for 600 mm wide triple grouser pads. Indicated loads are based on ISO 10567 standard and do not exceed 75 % of tipping or 87 % of hydraulic capacity (indicated via #). Maximum load for the backhoe bucket's load hook is 12 t. Without bucket (0,55 m³), the lift capacities will increase by 540 kg, without bucket cylinder, link and lever they increase by an additional 270 kg. Lifting capacity of the excavator is limited by machine stability, hydraulic capacity and maximum permissible load of the load hook.

According to European Standard, EN 474-5: In the European Union excavators have to be equipped with an overload warning device, a load diagram and automatic check valves on the hoist cylinders, when they are used for lifting operations which require the use of lifting accessories.

Dimensions



	mm
A	3050
C	3125
D	3120
E	3120
H	2650
K	1160
L	3848
P	1016
Q	493
S	2600
U	4720
N	600 750
B	3200 3350
G	3395 3395
Z	5440

Gooseneck Boom 9,30 m, Stick 7,30 m and HD-SL-Undercarriage*

V	7350
W	3100
X	13750

Gooseneck Boom 8,50 m Stick 6,30 m and HD-SL-Undercarriage

V	7650
W	3150
X	12950

* without bucket

Liebherr-France SAS

2, avenue Joseph Rey, B.P. 90287, F-68005 Colmar Cedex

☎ +33 389 21 30 30, Fax +33 389 21 37 93

www.liebherr.com, E-Mail: info.lfr@liebherr.com