

KC-35719-1 (-5)

15 tonnes truck cranes "Klintsy"



THIS LOW PRICE CRANE, was made due to demands of the government services on such type. Using inexpensive chassis and 15 tonnes crane upperstructure made this model a good "taxi"-crane. Manoeuvrability and little dimensions of this crane serie helps it to become very usefull in big cities with dense traffic

FIRST CRANE KC-35719-5 was produced in 2000. For 4 years of producing this crane about 224 units were sold, especially to governments services

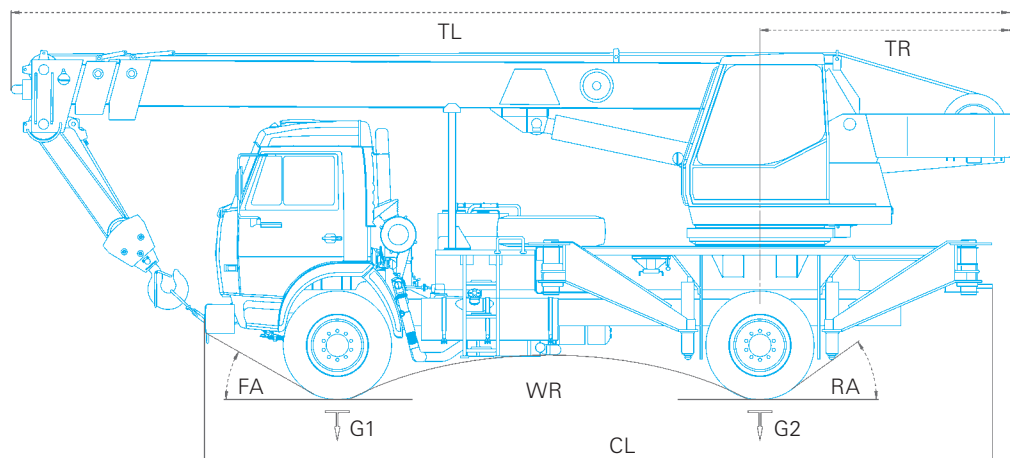
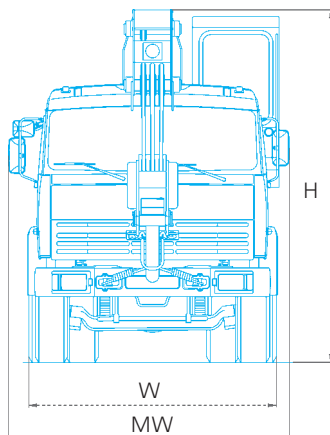


KC-35719-1



KLINTSY MOBILE CRANES PLANT

MODEL	KC-35719-1	KC-35719-5
Total Length (TL), mm	10100	10100
Chassis Length (CL), mm	7830	7575
Turn radius (TR), mm	2650	2650
Height (H), mm	3500	3600
Width (W), mm	2500	2500
Max Width (MW), mm	2900	2900
Front angle (FA)	32°	25°
Rear angle (RA)	36°	24°
Front axle weight (G1), t	6	5,65
Rear axle weight (G2), t	9,5	10,35
Wheel Radius (WR), mm	—	3930





KC-35719-1 (-5) CRANE LINE
MOUNTED ON KAMAZ-43253 | MAZ-5337

LIFTING CHART
OF KC-35719-1 (-5) PRODUCT LINE

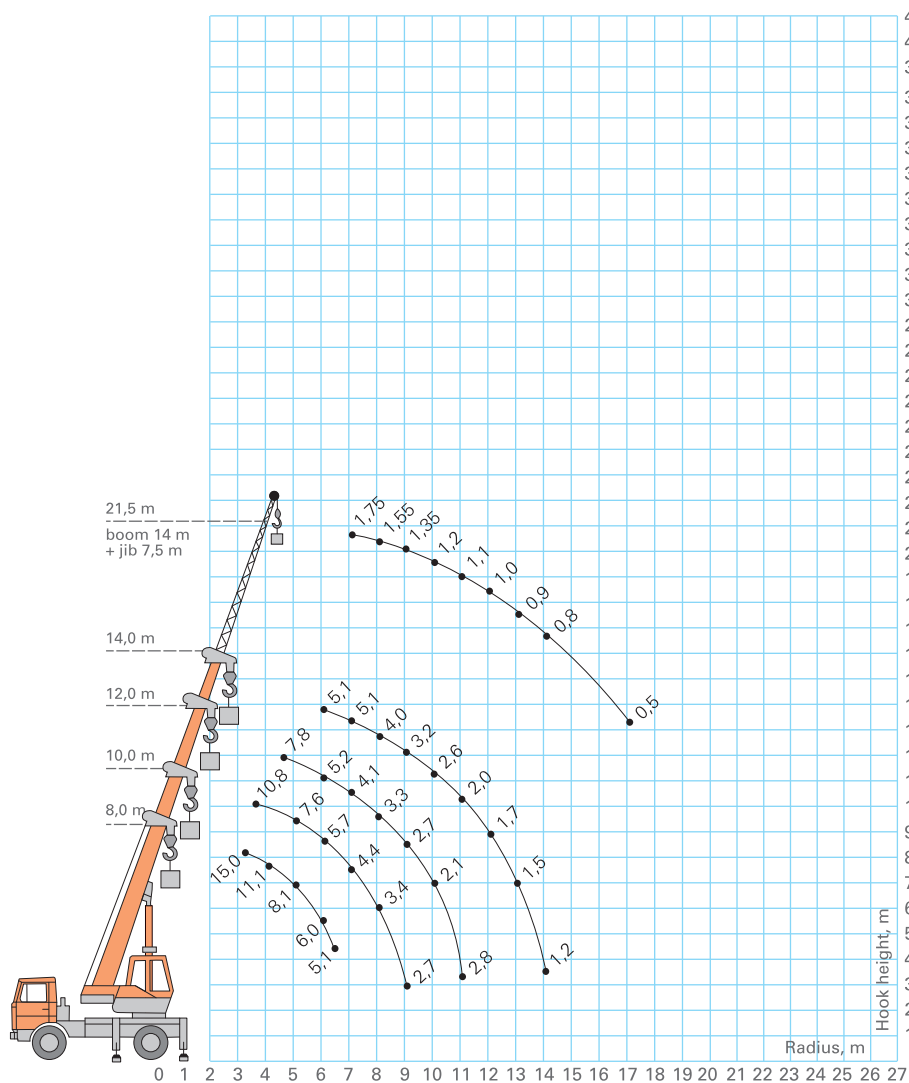
Lifting capacity.....15t
Lifting moment.....48t/m
Boom length.....8,0-14,0m
Working radius.....3,2-17,0m
Jib length.....7,5m

Max hook height:

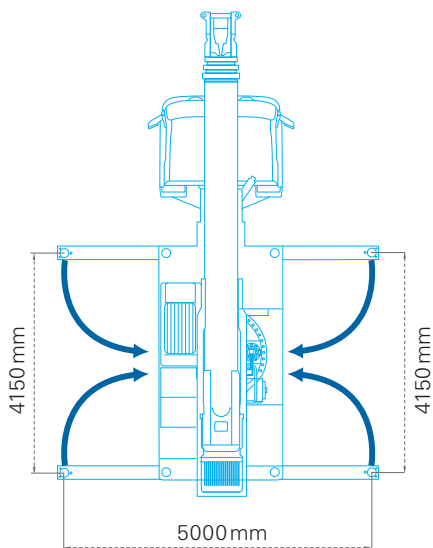
- with 14 m main boom..... 14,5 m
- with 14 m main boom & 7.5 m jib..... 21,8 m

Lifting and lowering speed..... 7,0-14,0 m/min
Slewing speed..... up to 1,6 min⁻¹
Explotation temperature..... from -40 to +40°C

Chassis..... KamAZ-43253 | MAZ-5337
Wheel formula..... 4x2
Engine..... Cummins | YAMZ-6563.10
Transportation speed..... 60 km/h
Weight of crane in transport position..... 15,1 | 16 t



SUPPORTING BASIS
OF KC-35719-1 (-5) PRODUCT LINE



KC-35719-5