

Innovations For The Future

Eco & Tough



KATO

REGZM

FULLY HYDRAULIC EXCAVATOR

HD513_{MRV}

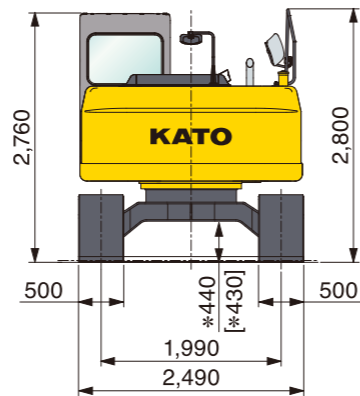
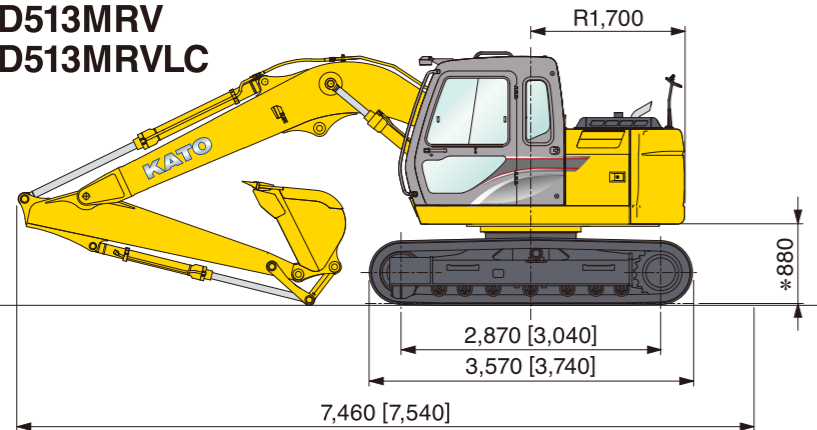
COMPACT TAIL SWING MODEL

Bucket capacity: 0.25m³-0.60m³(ISO)
 Engine output: 71.0kW / 2,000min⁻¹ (ISO Net)
 Operating weight: 13,700kg (HD513MRV)
 14,100kg (HD513MRVLC)

Dimensions

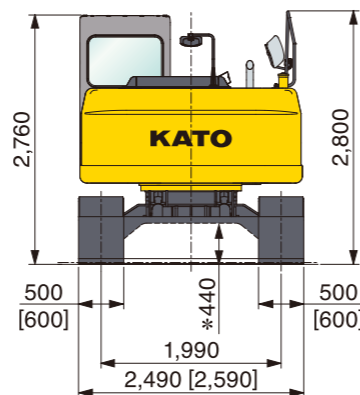
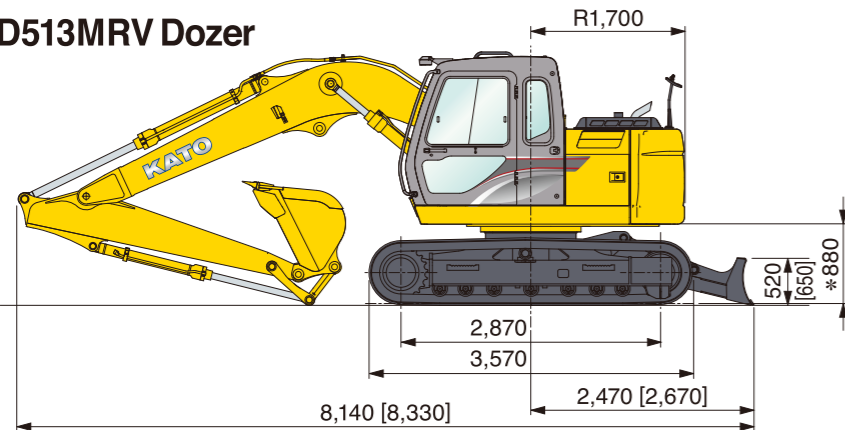
(Unit: mm)

HD513MRV
HD513MRVLC



[] HD513MRVLC *Less grouser bar

HD513MRV Dozer



[] HD513MRV Dozer 600mm shoe *Less grouser bar

General data

- Model name HD513MRV
- Operating weight 13,700kg : HD513MRV / 14,100kg : HD513MRVLC
- Bucket capacity 0.25~0.60m³ (ISO)
- Swing speed 12.5min⁻¹
- Travel speed High: 5.5km/h / Low: 3.1km/h
- Bucket / arm digging force 94kN / 68kN (High power mode: 98kN / 71kN)
- Standard shoe width 500mm
- Ground pressure 41.0kPa : HD513MRV / 42.0kPa : HD513MRVLC
- Engine model ISUZU 4JJ1X, 4 cycle intercooler turbo charged diesel engine
- Rated engine output 71.0kW / 2,000min⁻¹
- Fuel tank capacity 220L
- Hydraulic pump type Double variable piston pump and gear pump
- Set pressure 31.4MPa / 32.8MPa High power mode
- Travel motor type Piston motor x 2
- Hydraulic oil tank capacity System 155L (Level 77L)

NOTE : Illustrations may include optional equipment. KATO products and specifications are subject to improvements and changes without notice.

Address inquiries to :

KATO

KATO WORKS CO.,LTD.

9-37, Higashi-ohi 1-chome, Shinagawa-ku, Tokyo 140-0011 Japan.

Tel. : Head Office Tokyo(03)3458-1111

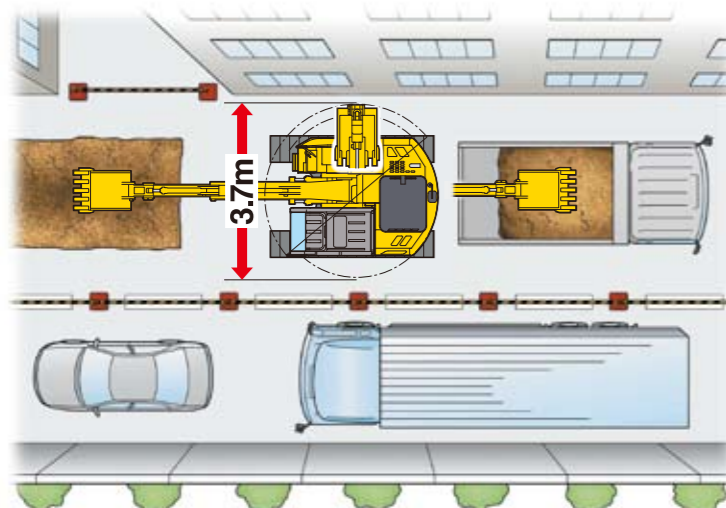
Overseas Marketing Department Tokyo(03)3458-1115

Fax. : Tokyo(03)3458-1163

URL <http://www.kato-works.co.jp>



It's Cityrange Workable in the Limited



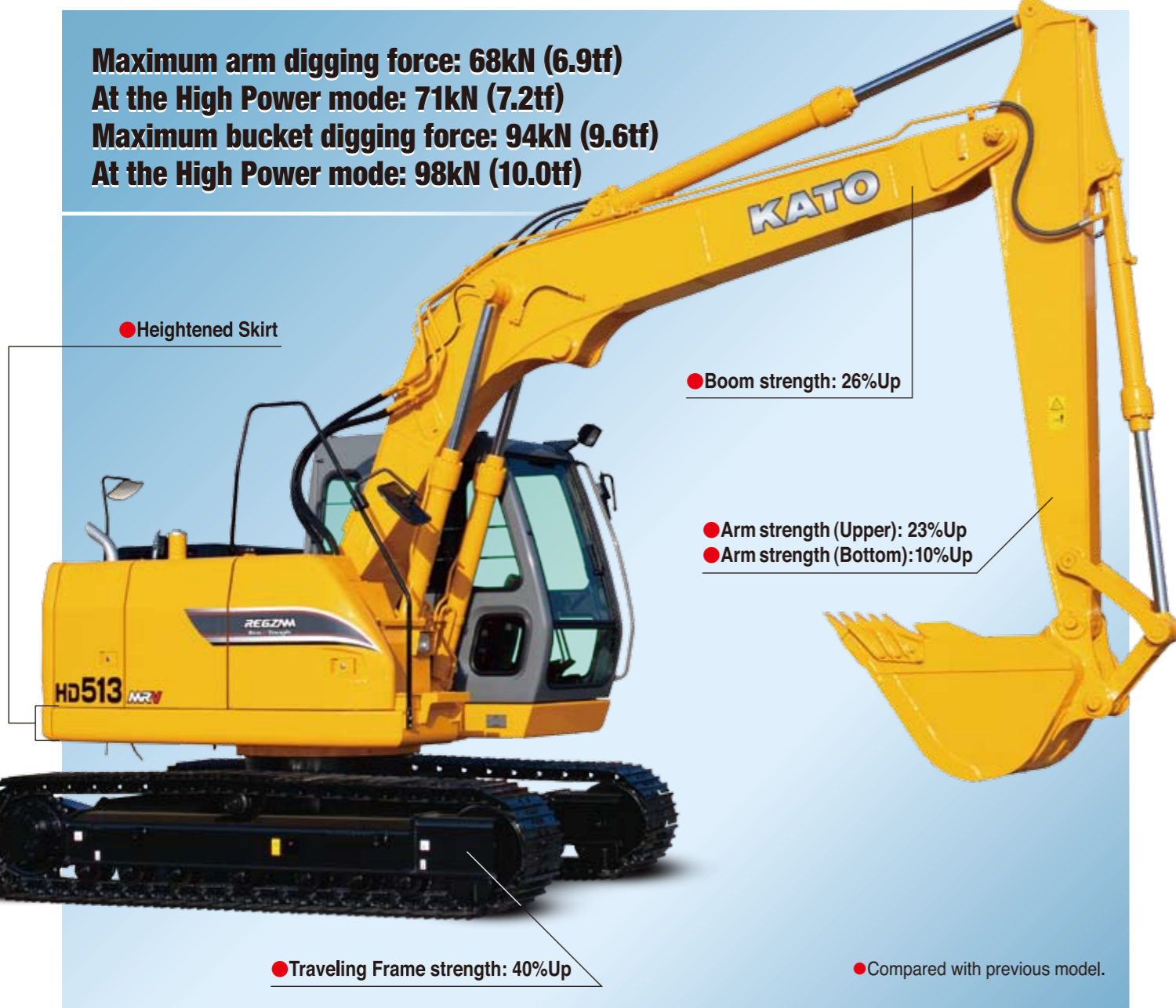
COMPACT SWING RADIUS

Compact swing radius fits perfectly in narrow work site. It allows operator to handle precise work safely in the tight space without hitting own tail.



Powerful Digging Force

- Maximum arm digging force: 68kN (6.9tf)
- At the High Power mode: 71kN (7.2tf)
- Maximum bucket digging force: 94kN (9.6tf)
- At the High Power mode: 98kN (10.0tf)



● Heightened Skirt

● Boom strength: 26%Up

- Arm strength (Upper): 23%Up
- Arm strength (Bottom): 10%Up

● Traveling Frame strength: 40%Up

● Compared with previous model.

PROMINENT FEATURES



New Engine: ISUZU 4JJ1X

71kW / 2,000 min⁻¹ (2.999L) with DOHC4 valve, Intercooler, Turbo charger. High-pressurized common rail, Cooled EGR.



Easy Maintenance accessibility:

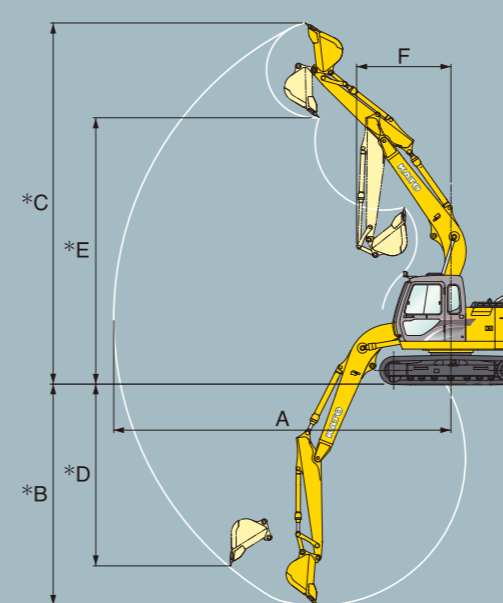
Parallel placed radiator, oil cooler, and intercoolers.



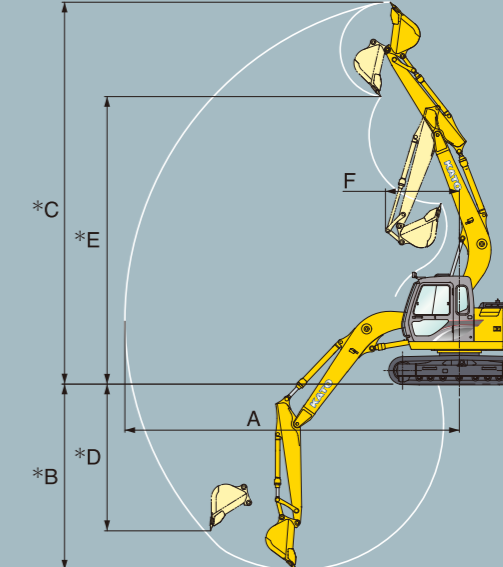
Remote located maintenance materials.

Working Ranges

Standard backhoe



Small swing position



Unit : mm

Range	Arm	Standard backhoe		Small swing position	
		STD Arm 2.5m	Long Arm 3.0m	STD Arm 2.5m	Long Arm 3.0m
A : Max. digging radius		8,460	8,930	8,460	8,930
* B : Max. digging depth		5,560	6,060	4,640	5,140
* C : Max. digging height		9,060	9,410	9,700	10,140
* D : Max. vertical wall		4,560	5,300	4,000	4,570
* E : Max. dumping height		6,680	7,030	7,320	7,760
F : Min. swing radius		2,370	2,530	1,790	2,080

* Less grouser bar

Bucket

Type of bucket	Backhoe bucket	Backhoe bucket					Slope forming bucket		
		0.25	0.35	0.40	0.45	0.50		0.55	0.60
Bucket capacity m ³ , ISO		0.25	0.35	0.40	0.45	0.50	0.55	0.60	—
Bucket width	W/O side cutters, mm	540	695	785	875	910	1,000	1,090	1,800
	with side cutters, mm	630	785	875	965	1,000	1,090	1,180	1,000
Standard boom +	Standard arm	●	●	●	●	●	▲	□	○
	Long arm	●	●	●	▲	*▲	×	×	○

● General purpose ▲ Light work □ Loading ○ Usable × Unusable — No setting
* Usable only when 700mm shoe is fitted on. ● Yellow colored area means standard.

Track Shoes

Type of shoes	Grouser shoe			Flat shoe	Triangle shoe
	500	600	700		
Shoe width mm	500	600	700	500	700
Overall width mm	2,490 [2,490]	2,590	2,690	2,490	2,690
Ground pressure kPa	41 [42]	35	31	43	30
Net weight change kg	S.T.D	+180	+480	+420	+460

[] HD513MRVLC