



**Bobcat®**

# *Excavators*

321/323



# A bucketload of productivity

The 321 and 323 excavators are Bobcat's newest models in the 1-2 t segment. They are designed to deliver the best performance from a compact size.

Combining ruggedness with advanced design these machines provide a maximum return on your investment and bring you peace of mind.

Their powerful engine and efficient hydraulic system are keys to improved performance, faster cycle times and higher productivity. A new boom design adds weight and muscle where it's most needed to maximize strength with no compromise on performance.



## Maximum stability

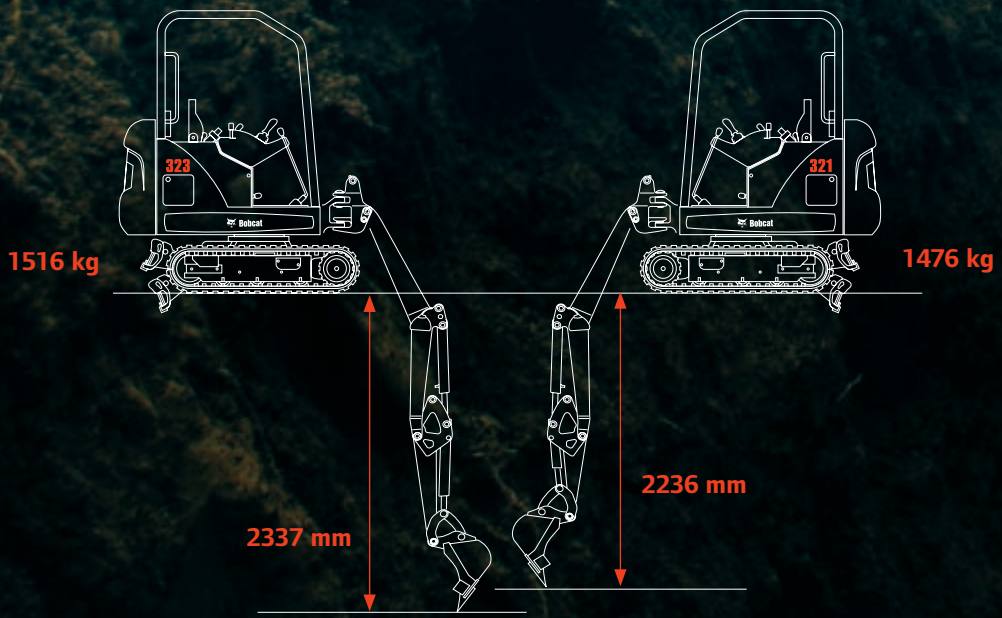
is a hallmark of the 321 and 323. Improved weight distribution provides excellent balance. This results in higher lifting capacity, increased efficiency and better safety.

**Extendable undercarriages** are standard features on both models.



## Sliding blade extension is standard

An integral sliding blade extension eliminates the hassle of dealing with loose blades. You will never forget or misplace a blade again.



# Our promise: versatility and efficiency

You just can't beat the 321 and 323. Bobcat offers you an extensive choice of approved attachments along with our long experience in attachment engineering.

Whether for trenching, grading, hammering or back-filling, you will benefit from the power and guaranteed durability delivered by these small machines.





Klac quick-attach system

### A choice of quick-attach systems

321 and 323 excavators come with standard pin coupling.

They can also be equipped with the Lehnhoff and Klac quick-attach systems, enabling you to change attachments faster and more easily.



# A “No Compromise” performance ...

## ... on your safety

The 321 / 323 offer the highest safety standards:

- Market leading low noise and vibration levels
- Stability through careful weight distribution
- Canopy access on both sides
- Audible alarm if engine temporarily overheats
- Retractable seat belt as standard
- Mechanical swing lock



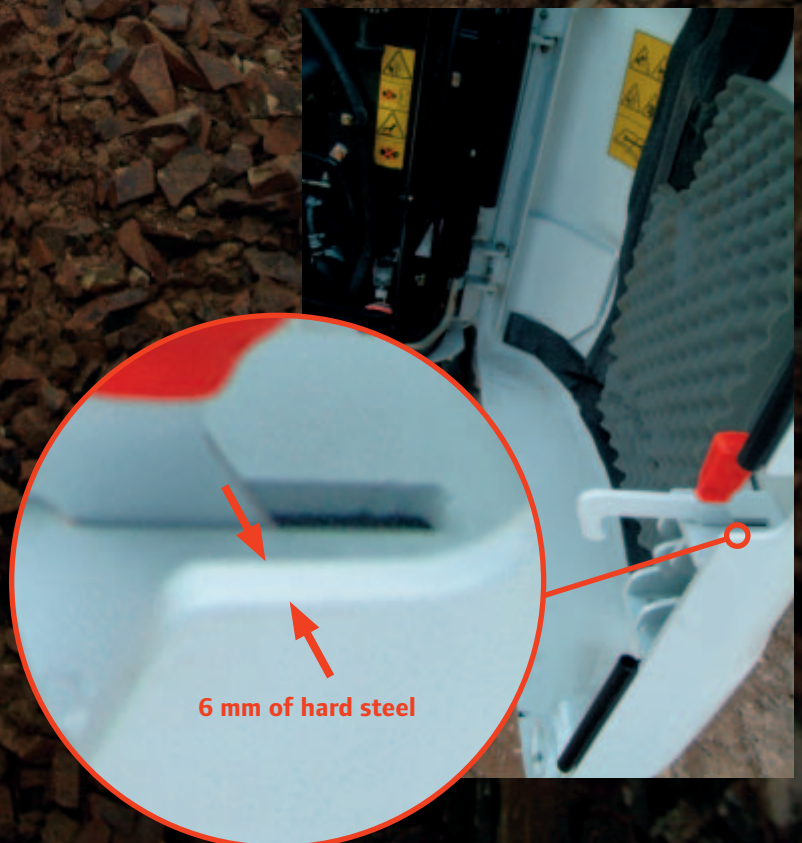
## ... on your comfort

The ergonomically designed cabin has all controls positioned within easy reach and is surprisingly spacious, offering the same room as much larger conventional machines. Travel levers and arm consoles allow operators to work with ease and a built-in heater keeps them warm in winter. The improved smoothness of the hydraulics provides a comfortable and less fatiguing work environment.



**... on durability**


The boom cylinder and auxiliary lines are kept away from potential damage by placing them above the boom. Hoses are protected inside the boom. In addition, the specific design of the tailgate and the 6 mm of hard steel provide the ultimate in protection and durability, effectively ignoring little bumps and scrapes.





90

321

 Bobcat.



One Tough Animal

 Bobcat

Genuine Bobcat Lubricants

Genuine Bobcat Lubricants

Premium Multi-Purpose GREASE #2

Part Number 6903122  
10/14oz. cartridges



6903122





# Serviceability

The 321 and 323 excavators were designed with the comfort and safety of the operator in mind. Low-maintenance and maintenance free components complement Bobcat's class-leading service access. Access to all routine service points could not be easier, unobstructed routine maintenance can be carried out quickly and efficiently.

## More than just a machine

With the industry's finest and most widespread network of distributors, Bobcat equipment has extensive support. No matter your location, a Bobcat Dealer near you can offer prompt, professional service and reliable, fully tested spare parts.

## Sales support

The pleasure of owning and operating a Bobcat Excavator starts at your local authorised dealer. He will help you choose the best machine, attachments and options for your application, and also advise you on a wide range of financing possibilities as well as always deliver high-quality after-sales support.

## Warranty

All Bobcat machines are designed and manufactured to meet the highest standards of quality and to guarantee years of trouble-free operation. In the unlikely event of problems, the Bobcat 321 and 323 come complete with a one year / 2000 hours\* warranty for free parts and labour for repairs due to faulty material or workmanship. The warranty can be extended to 24 months / 3000 hours\*, or even 36 months / 4000 hours\*.

\*whichever occurs first

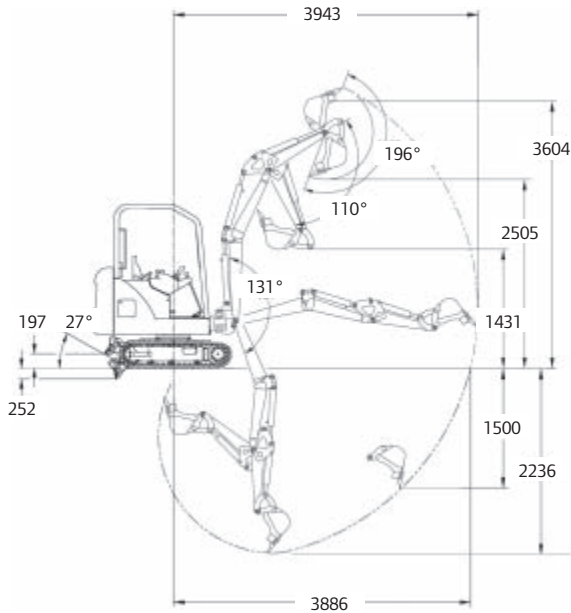
**Peace of mind**  
Use only genuine Bobcat parts



# Specifications

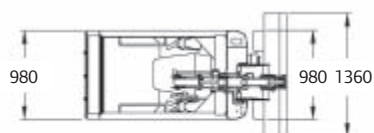
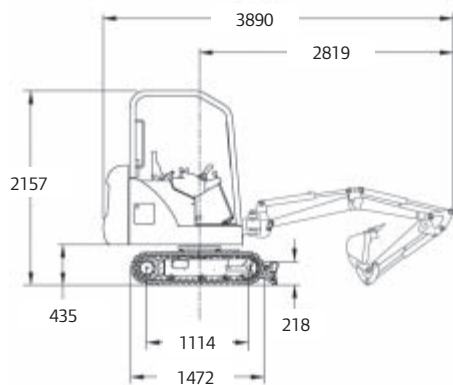
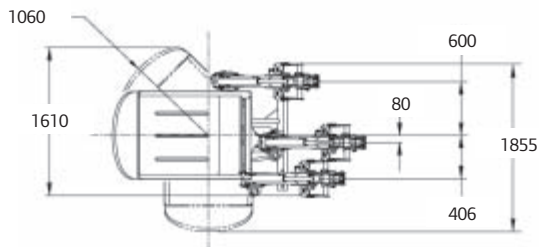
## Working Range 321

All dimensions in mm.



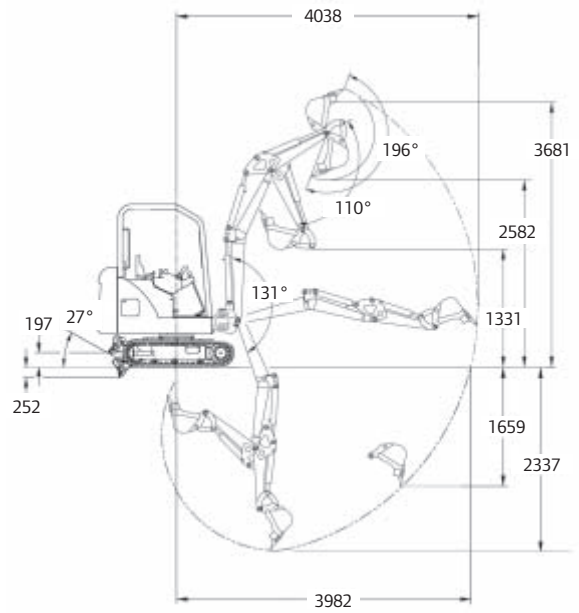
## Dimensions 321

All dimensions in mm.



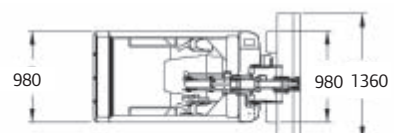
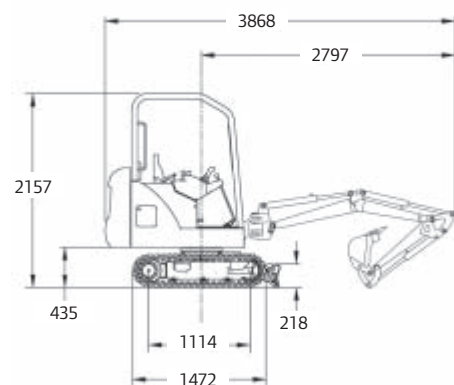
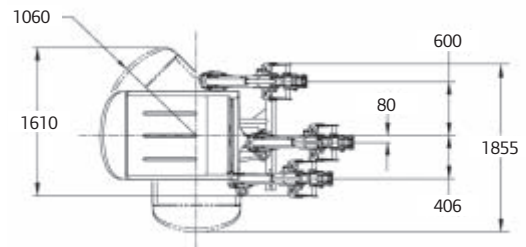
## Working Range 323

All dimensions in mm.



## Dimensions 323

All dimensions in mm.



Specifications and design are subject to change without notice - Pictures of Bobcat units may show other than standard equipment.

**Weights**

Operating weight with ROPS canopy	1476 kg		1516 kg
Additional weight for cab		129 kg	
Additional weight for steel tracks		53 kg	

**Engine**

Make / model		Kubota / D722-E2B-BC-5-SI	
Fuel / Cooling		Diesel / Liquid	
Maximum power at 2500 RPM (ISO 9249)		9.9 kW	
Torque at 2000 RPM (SAE Net)	43.2 Nm		42.2 Nm
Number of cylinders		3	
Displacement		0.72 l	
Bore / Stroke		67 mm / 68 mm	
Alternator		12 V — 40 A	
Starter		12 V — 1.4 kW	

**Controls**

Steering	Direction and speed controlled by two hand levers or foot pedals		
Hydraulics	Two joysticks control boom, bucket, dipperstick and upper structure slew		

**Hydraulic System**

Pump type	Dual piston pump with gear pump		
Pump 1 capacity	11.0 l/min at 2500 RPM		
Pump 2 and 3 capacity	11.0 l/min at 2500 RPM		
Auxiliary flow	33.0 l/min		
System relief pressure for implement circuits	227 bar		
System relief pressure for auxiliary circuits	226 bar		
Control valve	Nine-spool parallel type, open centre		

**Performance**

Digging force, dipperstick	8500 N		7900 N
Digging force, bucket		16100 N	
Drawbar pull	15594 N		15570 N
Ground pressure with rubber tracks	26.6 kPa		27.4 kPa
Travel speed, low range		2.18 km/h	
Travel speed, high range		3.31 km/h	
Maximum reach at ground level	3886 mm		3982 mm
Maximum dump height	2505 mm		2581 mm
Maximum digging depth	2236 mm		2337 mm

**Slew System**

Boom swing, left		50°	
Boom swing, right		90°	
Slew circle	Single row shear-type ball bearings with internal gear		
Slew drive		Orbit motor	
Slew rate		8.4 RPM	

**Traction**

Track width, rubber, standard	230 mm		
Number of track rollers per side	3		
Gradeability travelling down or backing up slopes	30°		

**Brakes**

Travel brake	Hydraulic lock on motor		
Slew brake	Hydraulic lock on motor and pin lock		

**Fluid Capacities**

Cooling system	5.7 l		
Engine lubrication plus oil filter	3.5 l		
Fuel reservoir	23.7 l		
Hydraulic reservoir	9.8 l		
Hydraulic system	18.5 l		



Ingersoll Rand is a world leader in the field of compact vehicles and equipment. Our widely known Bobcat® brand includes an extensive line of powerful, nimble compact construction equipment and attachments, and our state-of-the-art engineering capabilities and stylish designs are reflected in our world famous Club Car® vehicles.

[www.clubcar.com](http://www.clubcar.com) [www.bobcat.com](http://www.bobcat.com) [www.ingersollrand.com](http://www.ingersollrand.com)

**Bobcat Europe**  
Drève Richelle 167  
B-1410 Waterloo, Belgium