

Specifications



Engine

Gross power 280 HP / 206 kW
 Net flywheel power (SAE J1349) 264 HP / 194 kW
 Net flywheel power (EEC80/1269) 194 kW
Stated net flywheel power is delivered up to 2500 m a.s.l.

Make and model CUMMINS 6CTAA reduced emission TIER 2
 Type Diesel, 4 stroke, direct injection turbocharged
 aftercooler

Total displacement 8.3 l
 N° of cylinders 6
 Bore x stroke 114 x 135 mm
 Rated engine speed 2200 rpm
 Maximum torque at 1400 rpm 115 kgm



Weights (kg)

Front axle load (unloaded) 9000 kg
 Rear axle load (unloaded) 8500 kg
 Total weight (unloaded) 17500 kg
 Pay load 25 ton - 23 mton
 Total weight 40500 kg



Transmission

The **ZF 6WG210** is a automatic powershift transmission with six forward and three reverse speeds all with lockup. It also features a lockable differential between front and rear drives. Transmission has the hydraulic retarder to limit application brakes on sloping ground.

Performances

Tyres 23.5 R 25 fitted to five piece rims

Gears	Forward (km/h)	Reverse (km/h)
1	5.2	5.5
2	8.1	13.6
3	12.9	32.6
4	19.9	
5	30.9	
6	47.6	



Frame

The frame consists of front and rear section connected by a heavy duty universal coupling which allows both articulation and oscillation between the two sections. Front and rear section are fabricated from high tensile steel. The universal coupling consists of high tensile steel plates and incorporates a heavy duty ball circle ring and four taper roller bearings.



Cab

The centrally located ROPS/FOPS steel cab is rubber mounted to enhance operator comfort. The engine cover ensures outstanding forward visibility.



Axle

Three rigid type drive axles incorporating limited slip differentials.

The central axle features an additional lockable differential for outstanding traction on rough and slippery terrain.

Traction 6x6



Suspension

The unique front suspension allows both vertical and oscillating movement and consists of long stroke integral oil/pneumatic cylinders to provide excellent damping.

Rear suspension is also a unique system with its load absorbing torque reaction for permanent traction and stability.



Steering

Hydraulically operated articulated frame steering. Twin double acting steering cylinders allow 45° of articulated steering in both directions.

Emergency steering supplied standard

Turning radius 8.2 m

Max steering angle 45°



Tyres

Tubeless type fitted to five piece rims on all six wheels.

Radials 23.5-25 XADN

660/65-25 XAD

750/65-25 XAD



Brakes

Service brake is a dual circuit full hydraulic system with dry disc brakes on all wheels.

Parking brake is a spring applied and hydraulically released dry disc type fitted to the rear drive line.



Body

The body is hardened and tempered wear resistant steel plates for the floor, front and sides reinforced with hardox 400 high tensile pressed steel. Twin multi stage double acting cylinders positioned inside the rear frame for maximum protection.

A tipping angle of 67° with power raise and lower for clean quick tipping cycles.

Tipping time Power raise 14 sec
 Power lower 12 sec

Body plate thickness Floor and Scow 15 mm
 Sides 10 mm
 Front 8 mm

Body capacity Struck 11.0 m³
 Heaped (SAE 2:1) 13.5 m³



Capacities

Fuel Tank 325 litres

Hydraulic Systems 250 »

Engine Cooling System 37 »

Engine Crankcase 22 »

Transmission 26 »

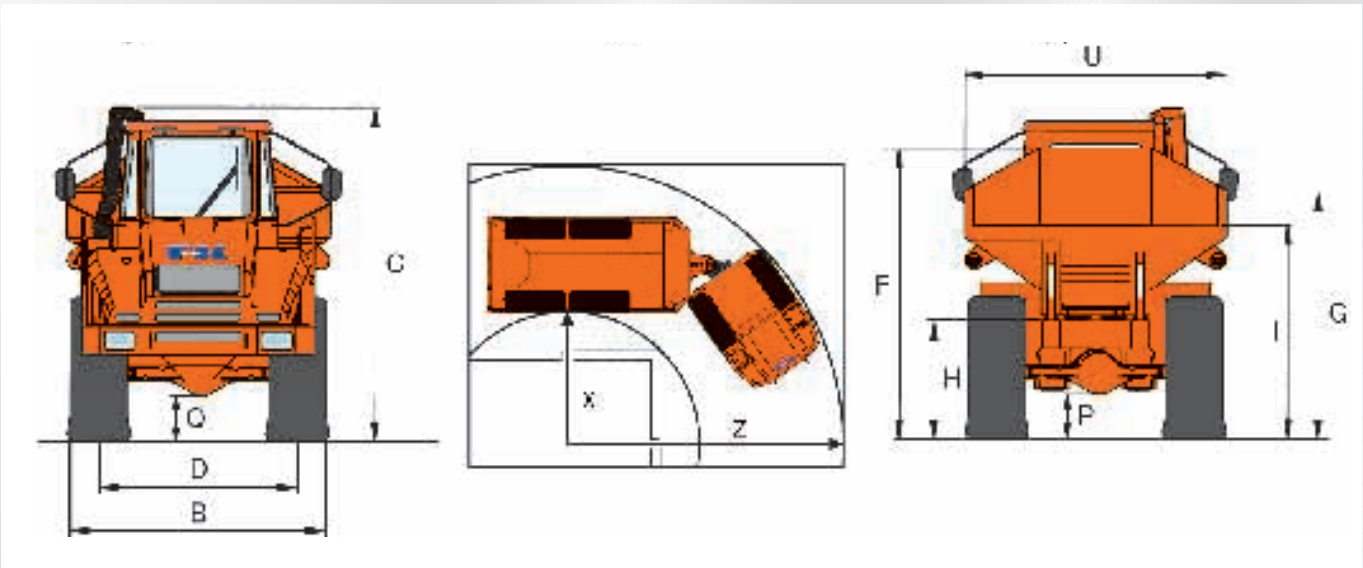
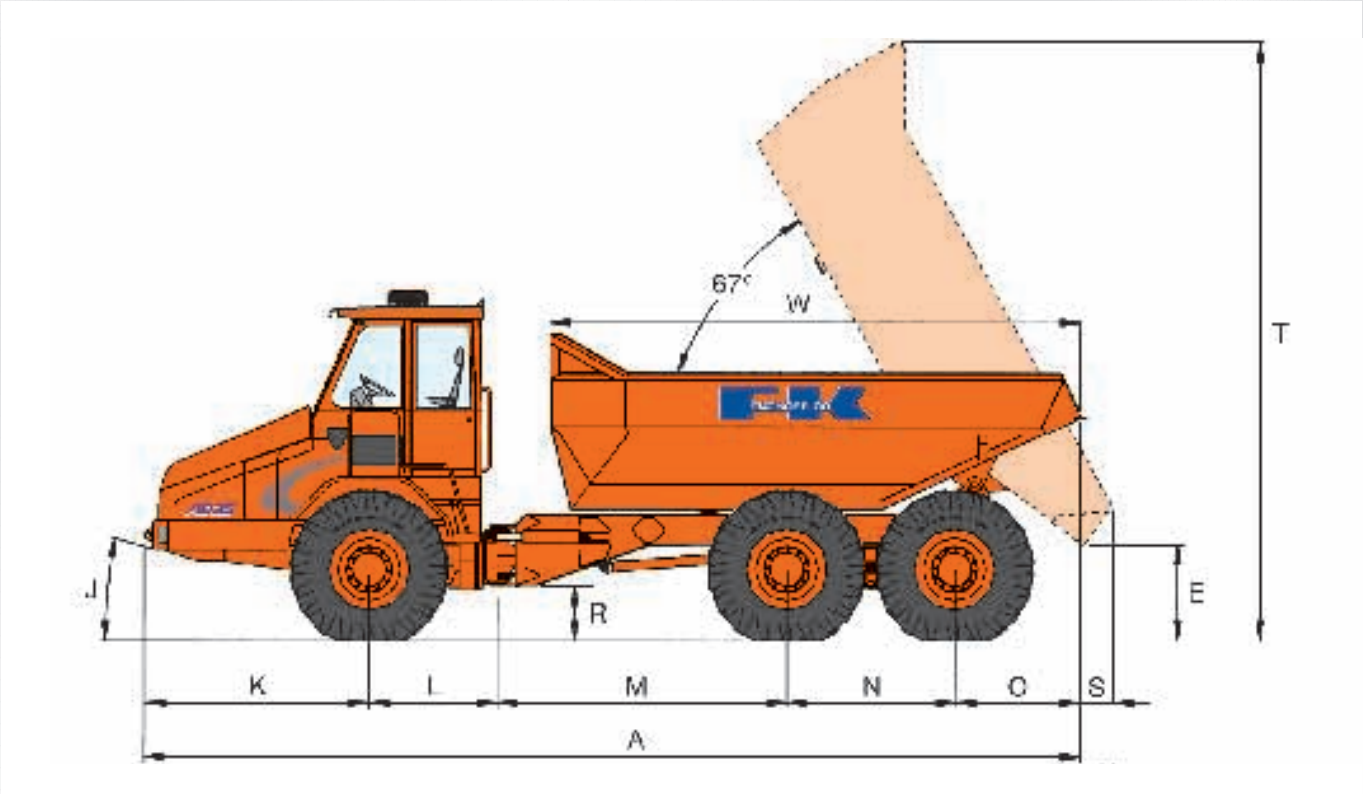
Axles

- Front 14 »

- Centre 16 »

- Rear 14 »

Dimensions (mm)



X	4 362
Z	8 182

A	9 808
B	2 795
C	3 515
D	2 150
E	830
F	3 130
G	2 696

H	1 264
I	2 267
J	25°
K	2 517
L	1 333
M	3 000
N	1 700

O	1 258
P	481
Q	481
R	526
S	316
T	6 394
U	2 480
W	5 300

Standard equipment

- Air cleaner, dry type
- Alternator, 70A
- Anti-freeze
- Back-up alarm
- Batteries, maintenance free
- Body, adapted for exhaust heat
- Brakes, dry disc
- Cab, ROPS/FOPS with seat belt
- Differentials, limited slip
- Electrical system, 24V
- Electrical control of engine hood
- Emergency steering
- Horn
- Instrument, dashboard with:
hourmeter, speedometer, engine rpm, clock
- Warning lights:
air filter restriction, battery charge, brake oil pressure, engine coolant, transmission oil temperature, engine oil level, transmission oil pressure, fuel level, torque converter lock up, central differential lock-up, parking brake.
- Lights: two headlights, two rear floodlights, two stop lights/two reversing lights, tail lights
- Mirrors, left and right
- Parking brake
- Seat, with elastic suspension
- Seat, padded companion/trainer
- Steering column, tiltable
- Tool kit
- Transmission: torque converter and full automatic power-shift, automatic control
- Transmission, torque converter lock-up in all gears
- Tyres 23.5-25 XADN

Optional equipment

- Air conditioning
- Body heating
- Body extension (120mm)
- Body, heavy duty
- Cooled lunch box
- Cold weather starting aid
- Fuel pump
- Front suspension inflation kit
- Hydraulic retarder
- Radio-cassette player
- Scissor gate, mechanical actuation
- Rear view camera and monitor
- Rotating warning light
- Rear view mirrors heated and remotely controlled
- Side wipers and washes
- Tyres, 660/65R-25XAD, 750/65-25XAD
- Seat, pneumatic suspension

At your own dealership



EVOLVING TECHNOLOGY

The information contained in this brochure is intended to be a general nature only. The FIAT KOBELCO company may at any time and from time to time, for technical or other necessary reason, modify any of the details or specifications of the product described in this brochure. Illustrations do not necessarily show products in standard conditions. The dimensions, weights and capacities shown herein, as well as any conversion data used, are approximate only and are subject to variations within normal manufacturing techniques.

Published by FIAT KOBELCO CONSTRUCTION MACHINERY S.p.A. - <http://www.fiatkobelco.com>
Printed n. 60006 - INB - LEADER Firenze - Printed in Italy - 7/02