



EJC 530

Technical Specification

Payload: 30 tons (28 tonnes)

Dump box volume: 20.0 yd³ (15.3 m³)



EJC Mining Equipment

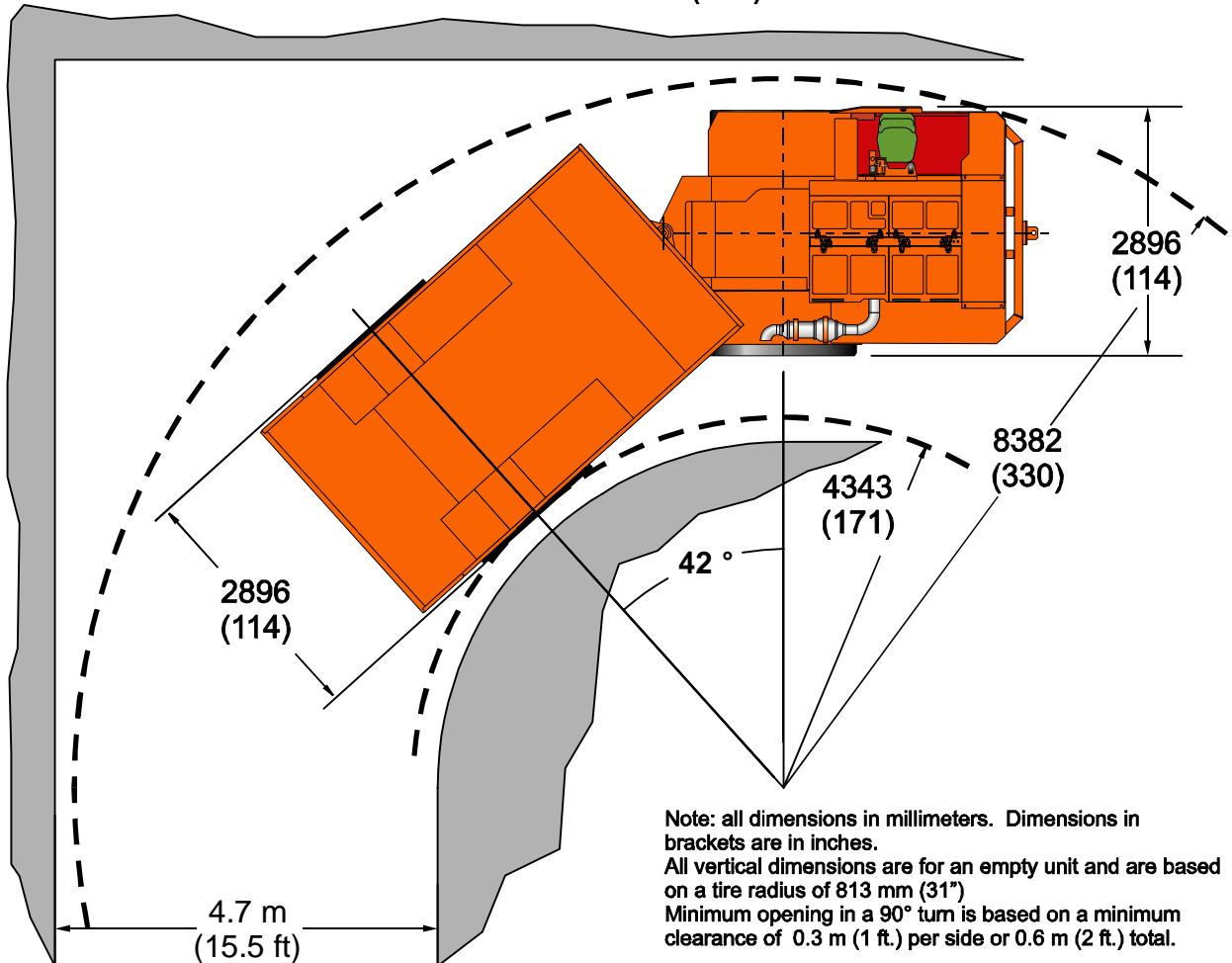
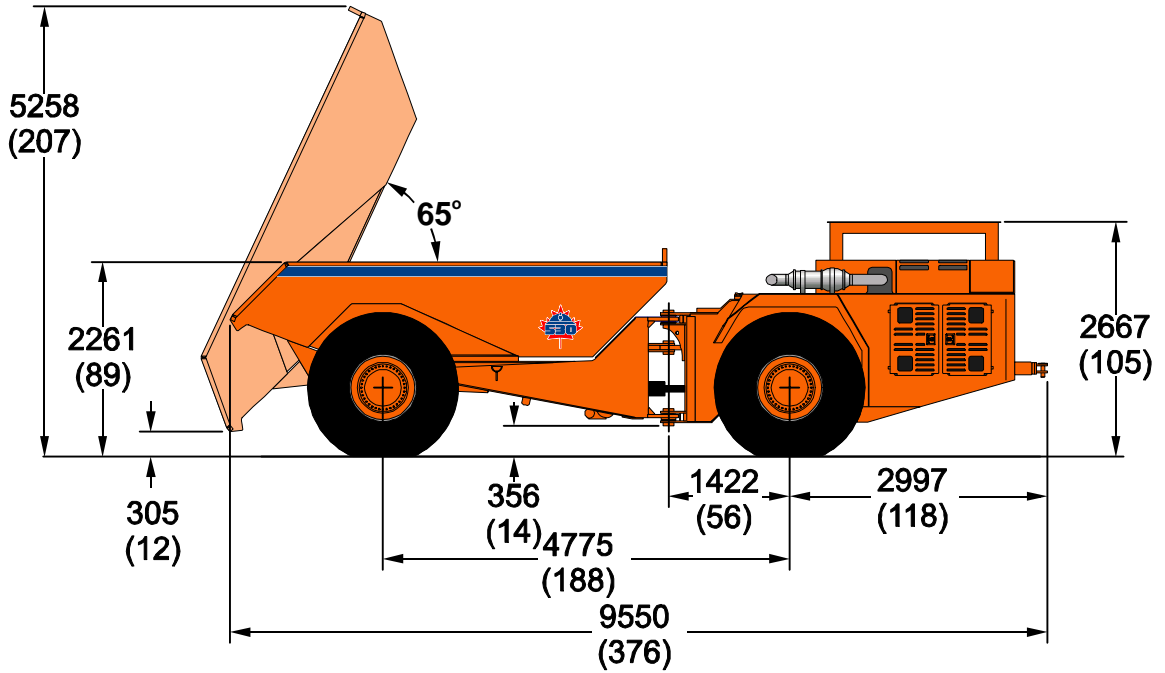
Division of Sandvik Mining and Construction Canada Inc.
4445 Fairview Street, Burlington Ontario, Canada L7L 2A4
Tel.: (905) 632-4940



Revision Date: 23/8/05

Email: ejc.loaders@sandvik.com
Web: <http://www.ejc.sandvik.com>

General Arrangement



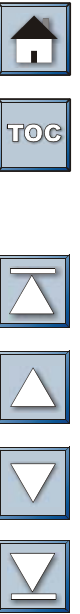
Note: all dimensions in millimeters. Dimensions in brackets are in inches.
 All vertical dimensions are for an empty unit and are based on a tire radius of 813 mm (31")
 Minimum opening in a 90° turn is based on a minimum clearance of 0.3 m (1 ft.) per side or 0.6 m (2 ft.) total.

revision Date: 20/06/05

EJC Mining Equipment
 Division of Sandvik Mining and Construction Canada Inc.
 4445 Fairview Street, Burlington Ontario, Canada L7L 2A4
 Tel.: (905) 632-4940



Email: ejc.loaders@sandvik.com
 Web: <http://www.ejc.sandvik.com>



Standard Unit Specifications

General Information

Main Dimensions

Total length	9550 mm	376 in
Total width	2896 mm	114 in
Height with safety canopy	2667 mm	105 in
Height of dump box	2261 mm	89 in
Dump Height	5258 mm	207 in

Operating Weights

Total operating weight	25265 kg	55700 lb.
front axle	16397 kg	36150 lb.
rear axle	8868 kg	19550 lb.

Loaded Weights

Total loaded weight	52481 kg	115700 lb.
front axle	23224 kg	51200 lb.
rear axle	29257 kg	64500 lb.

Capacities

Payload	28 tonnes	30 tons
Dump box volume	15.3 m ³	20.0 yd ³

Dump Box Motion Times

Discharging time	17 sec.
Dumping angle	65 °

Driving Speeds Forward and Reverse (Loaded)

1st gear	7.1 km/h	4.4 m.p.h.
2nd gear	12.9 km/h	8.0 m.p.h.
3rd gear	22.5 km/h	14.0 m.p.h.
4th gear	40.7 km/h	25.3 m.p.h.

Frame

Rear and front frame	Welded steel box construction
Material	G40.21 - 50wt. Cat.#3
Central hinge	Full plate, clevis type with spherical bearings

Power Train

Engine

Diesel engine	Detroit Diesel Series 60	
Output	298 kW (400 HP) @2100 RPM	
Torque	1898 Nm (1400 ft.lb.) @1200 RPM	
Number of cylinders	In line 6	
Displacement	12.7 litres (778 in ³)	
Cooling system	Liquid Cooled	
Combustion principle	Direct injected, turbo charged, after cooled	
Air filtration	Donaldson, dry type	
Electric system	24 V	
Exhaust system	Catalytic purifier with silencer	
Fuel tank capacity	333 l	88 US gal.

Converter

Dana SOH 8000 series	Single stage, 0.895:1 offset ratio with manual lock-up
----------------------	--

Transmission

Dana SOH 6000 series with electric shift	4-speed forward and reverse
--	-----------------------------

Axles

Front axle	Dana SOH 19D3847, standard differential, oscillating 16° total.
Rear axle	Dana SOH 19D3847, standard differential, fixed.

Tires

Tire size	21.00 R25
Type	Michelin XKA**
Air pressure, front	552 kPa (5.52 bar) (80 psi)
Air pressure, rear	552 kPa (5.52 bar) (80 psi)



Systems

Steering Hydraulics

Full hydraulic power steering, centre articulated with double acting steering cylinder. Open centre system with a gear pump and pilot operated stick steer.

Turning Radius

inner	4343 mm (171")
outer	8382 mm (330")
Turning angle	42.0 °

Main Components

Hydraulic pump	Gear pump
Control valve	Pilot operated
Steering cylinder	127 mm bore X 64 mm rod (5.0" X 2.5")

Pressure Settings

Main relief	17.2 MPa	172 bar	2500 psi
Port relief valves	18.6 MPa	186 bar	2700 psi

Dump Box Hydraulics

Full hydraulic open-centre system with two gear pumps. Oil flows to the dump box hydraulic system from the dump box pump and the steering pump when the steering system is not in use. Pilot operated lever dump box control.

Main Components

Dump cylinders (2)	2-stage telescopic, 184/152 mm bores (7.25/6.0")
Hydraulic pump	Gear pump
Control valve	Pilot operated

Pressure Settings

Main relief	17.2 MPa	172 bar	2500 psi
Port relief (dump)	17.9 MPa	179 bar	2600 psi
Hydraulic oil tank capacity	283 l	75 US gal.	

Standard Brakes

Service brakes are spring applied, hydraulically released, liquid cooled (LCB) multi-disc brakes on all wheels. Service brakes also function as an emergency brake, when the emergency brake system is engaged.

Main Components

Pressure accumulators	Piston type with charging valve
Brake pedal valve	Modulated

Electrical Equipment

Alternator	24V 70A, min
Batteries	2 x 12 V, 950 CCA
Starter	24 V, Heavy Duty
Driving and working lights	4pcs front, 2pcs rear

Other Standard Equipment

- Central hydraulic pressure test points
- Electric gauges
- Central manual lubrication system
- Back-up alarm, audible.
- SAE hose fittings

Manuals

All manuals are delivered on CD-ROM in web based format with Adobe PDF output for printing.

Distribution

Manual Type	Customer	Market Area
Spare parts manuals	3 Copies	1 Copy
Operator's manual	3 Copies	1 Copy
Service manual	3 Copies	1 Copy

Optional Equipment Specifications

Available Alternative Equipment

Automatic Lubrication	Lincoln modular
-----------------------	-----------------

Alternative Dump Box Options

SAE dump box	13.4 m ³	17.5 yd ³
SAE dump box (Standard)	15.3 m ³	20.0 yd ³
Snub Nose box with tail gate - 4.5 m (15 ft.) dump height	17.6 m ³	23.0 yd ³
Ejector Box	13.0 m ³	17.0 yd ³

Available Add-On Options

Dump box	Split dump box rework	
	Abrasion resistant box liners	
Operator's compartment	SAE ROPS canopy	
	Enclosed operator's cab with A/C (solid mounts)	
Fire suppression systems	Manual - Ansul 8 nozzles, 2 tanks	
	Automatic (Checkfire II) - Ansul 8 nozzles, 2 tanks	
Hand held fire extinguishers	4.5 kg	10 lb.
	9.1 kg	20 lb.
Emergency steering system	SAE J-1511, electric	

EJC Mining Equipment

Division of Sandvik Mining and Construction Canada Inc.
4445 Fairview Street, Burlington Ontario, Canada L7L 2A4
Tel.: (905) 632-4940

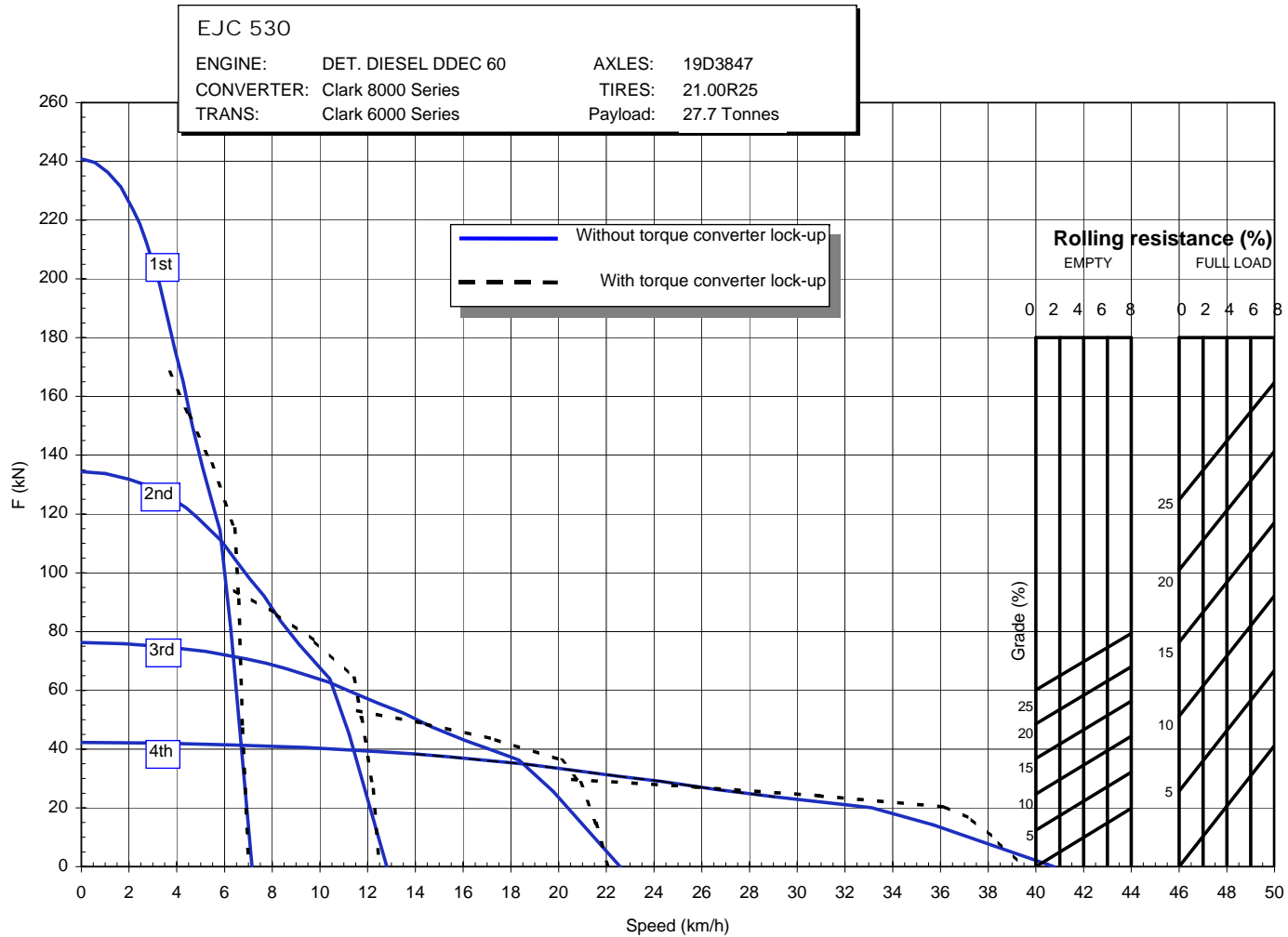


Revision Date: 23/8/05

Email: ejc.loaders@sandvik.com
Web: <http://www.ejc.sandvik.com>

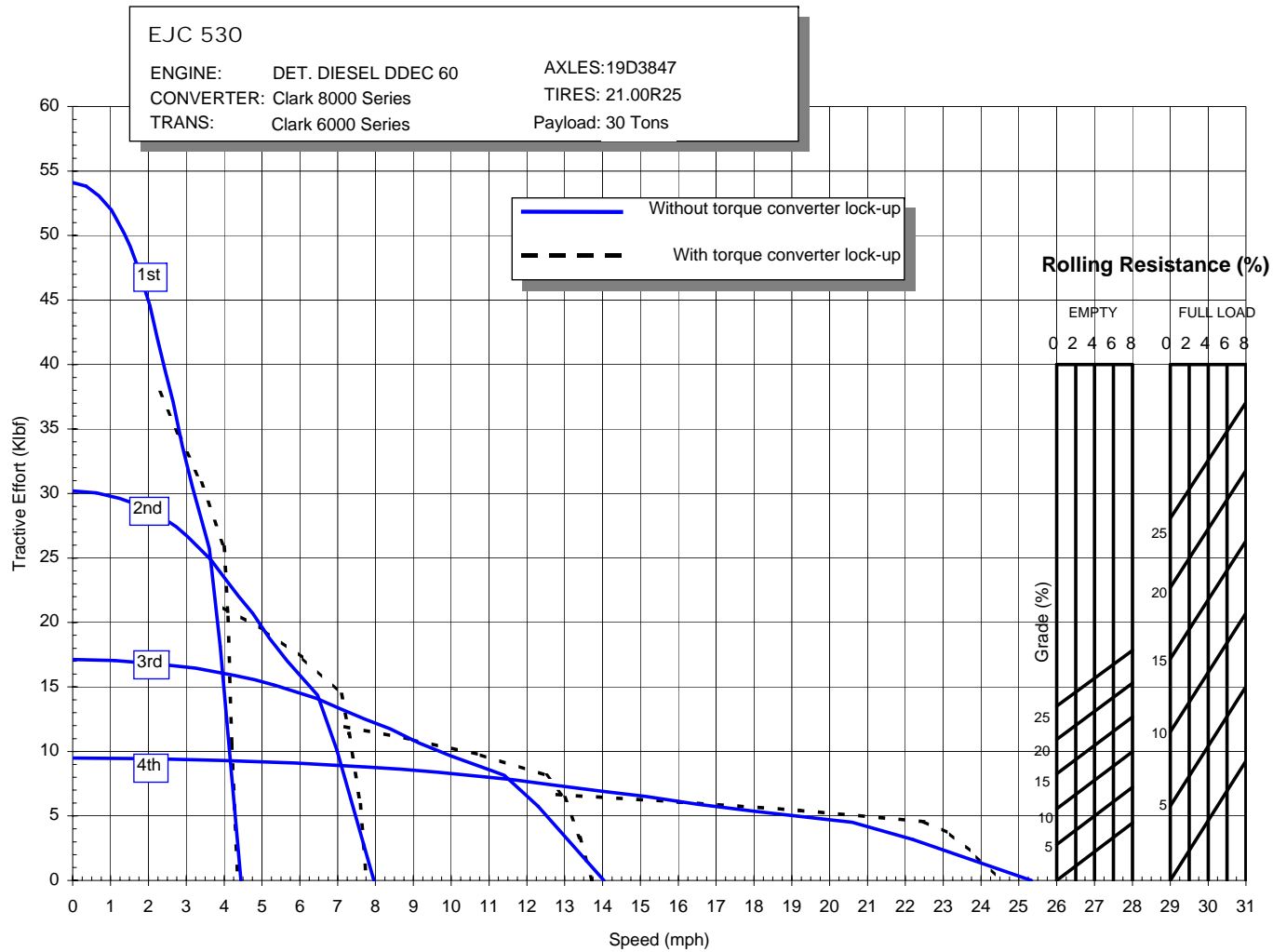


Tractive Effort Curve (Metric Units)





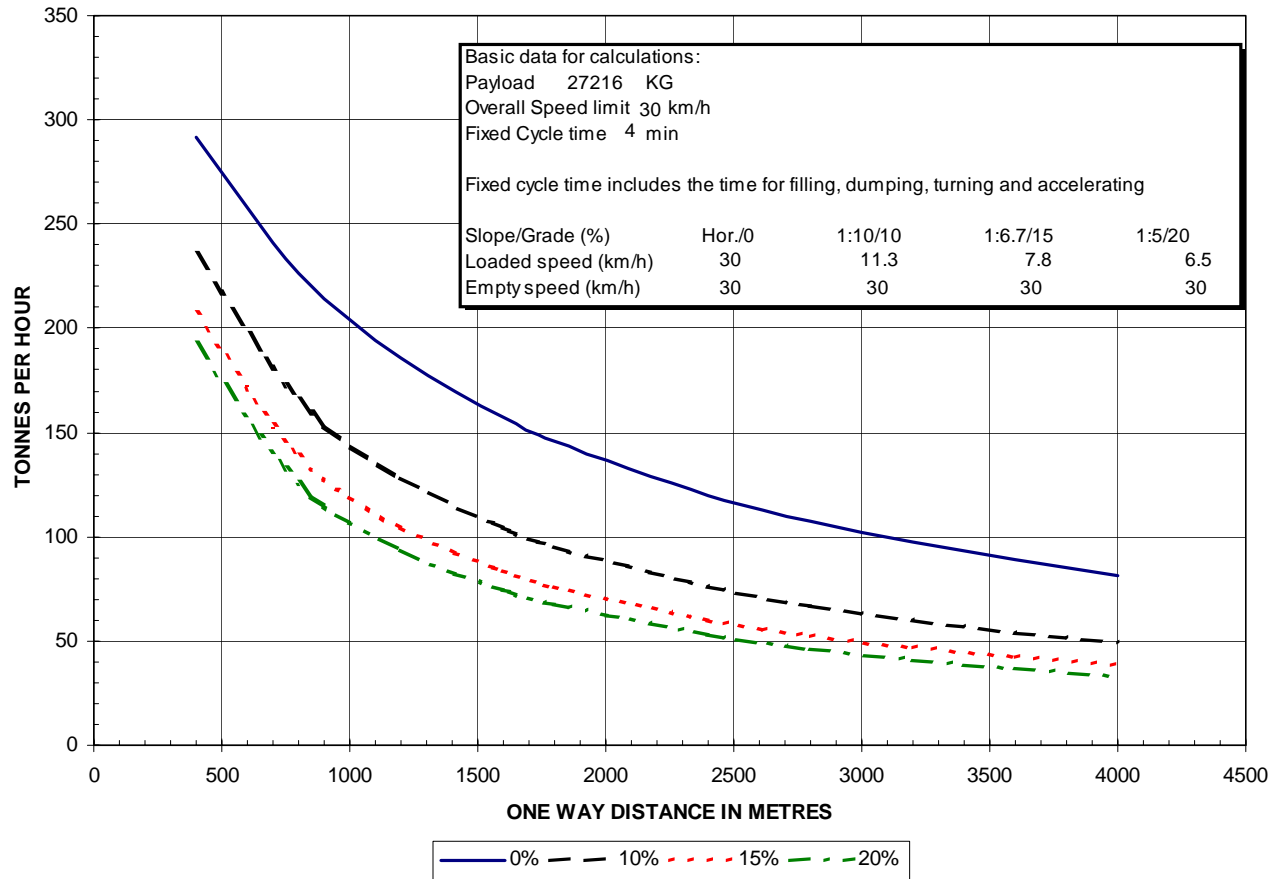
Tractive Effort Curve (US Units)





Productivity Curve (Metric Units)

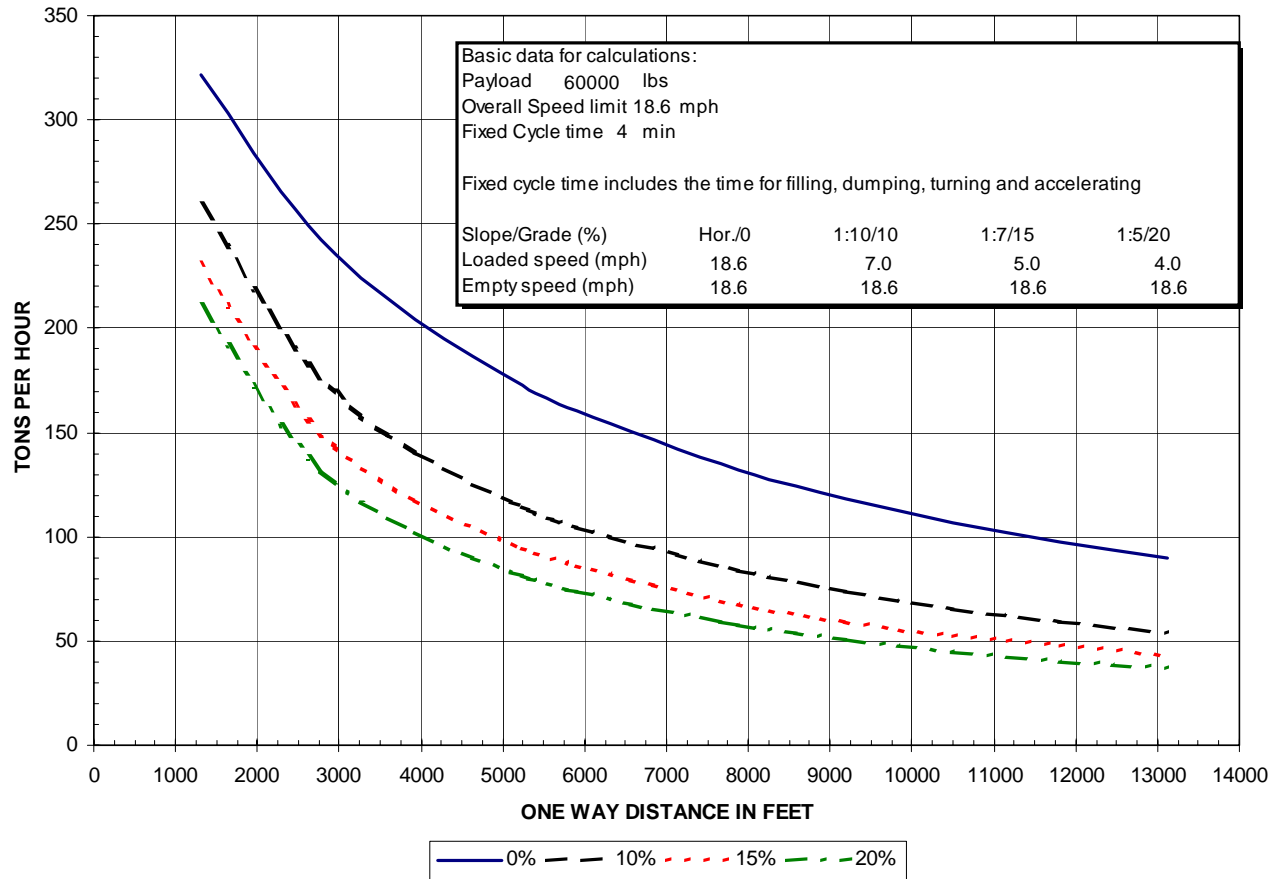
EJC 530 PRODUCTIVITY CURVE



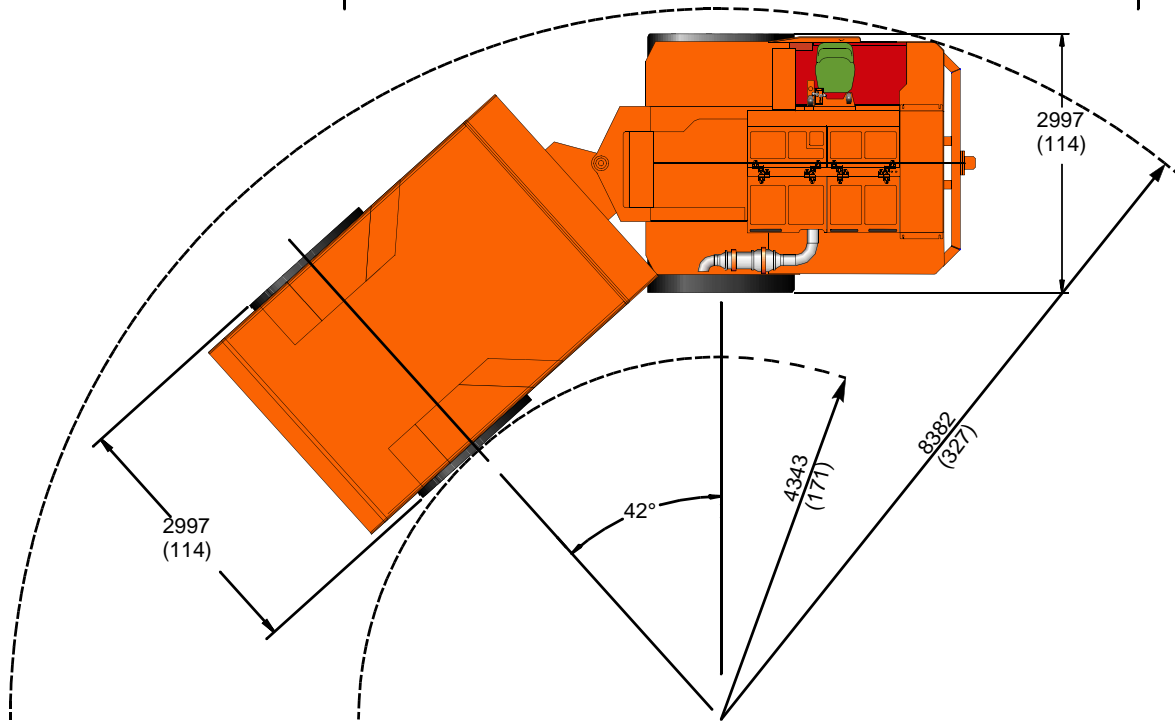
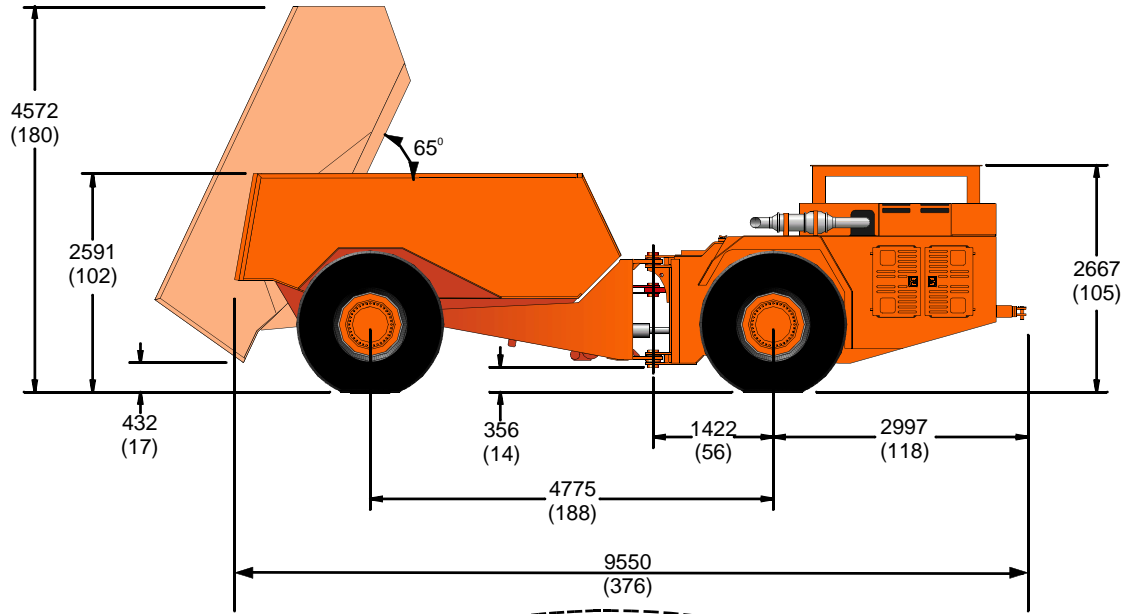


Productivity Curve (US Units)

EJC 530 PRODUCTIVITY CURVE



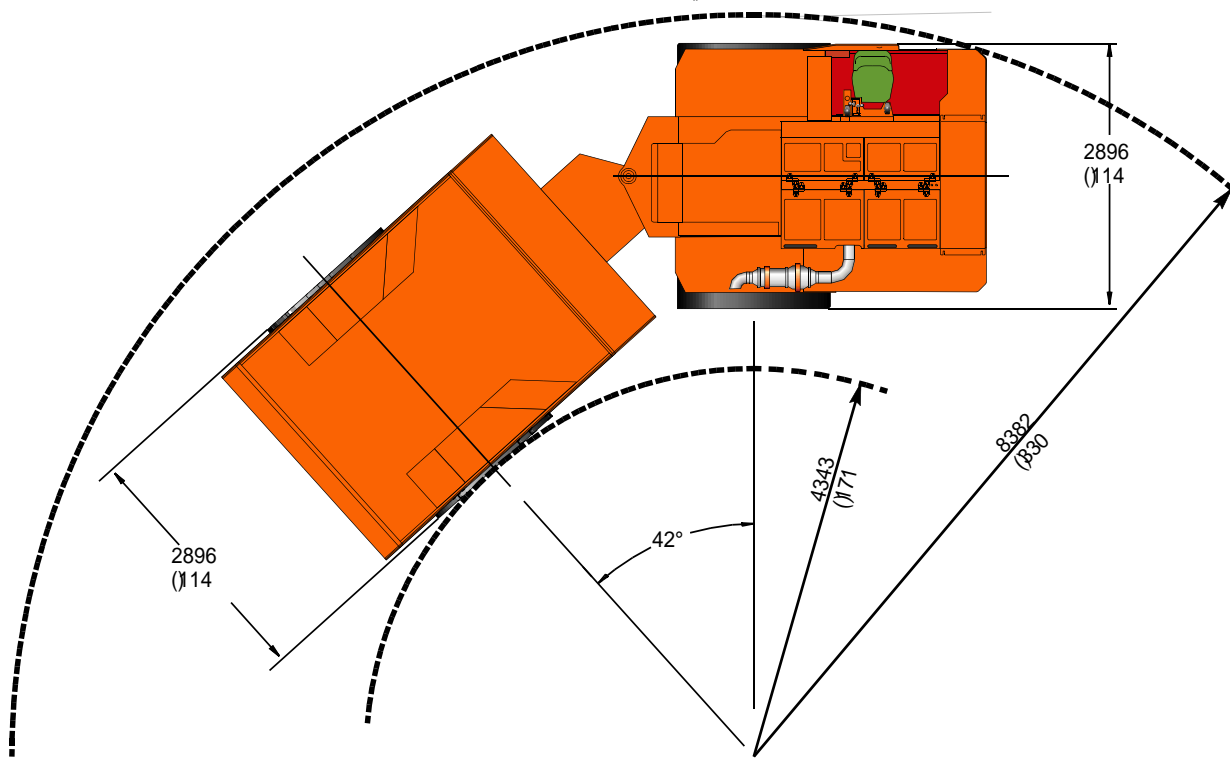
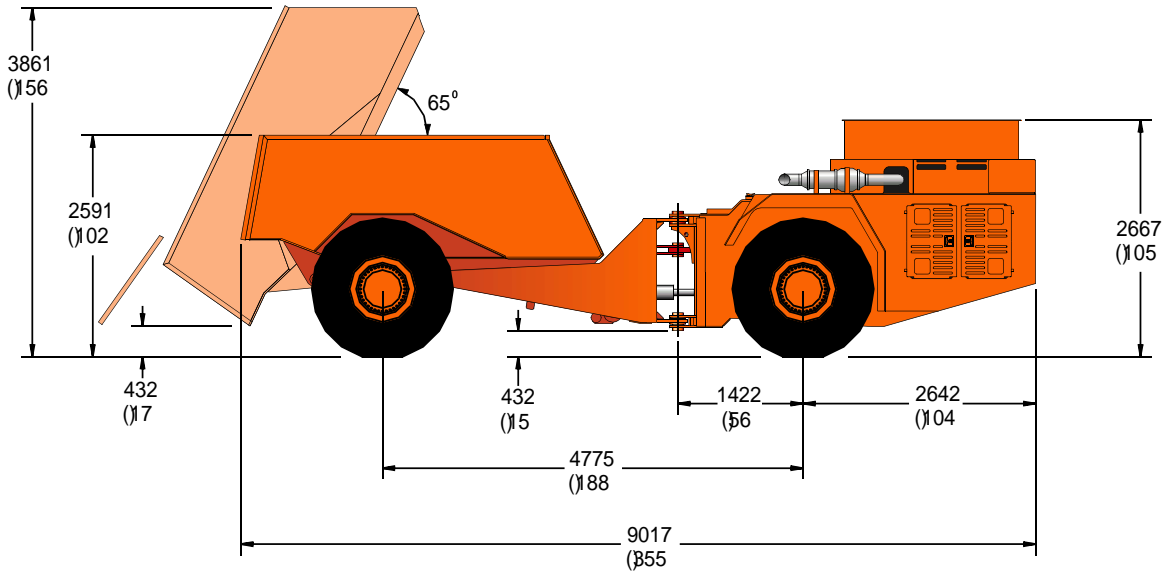
17.6m³ (23 yd³) Snub Nose Box



Note: all dimensions in millimetres, dimensions in brackets are in inches.
 All vertical dimensions are for an empty unit.
 Optional "Snub Nose" box shown.



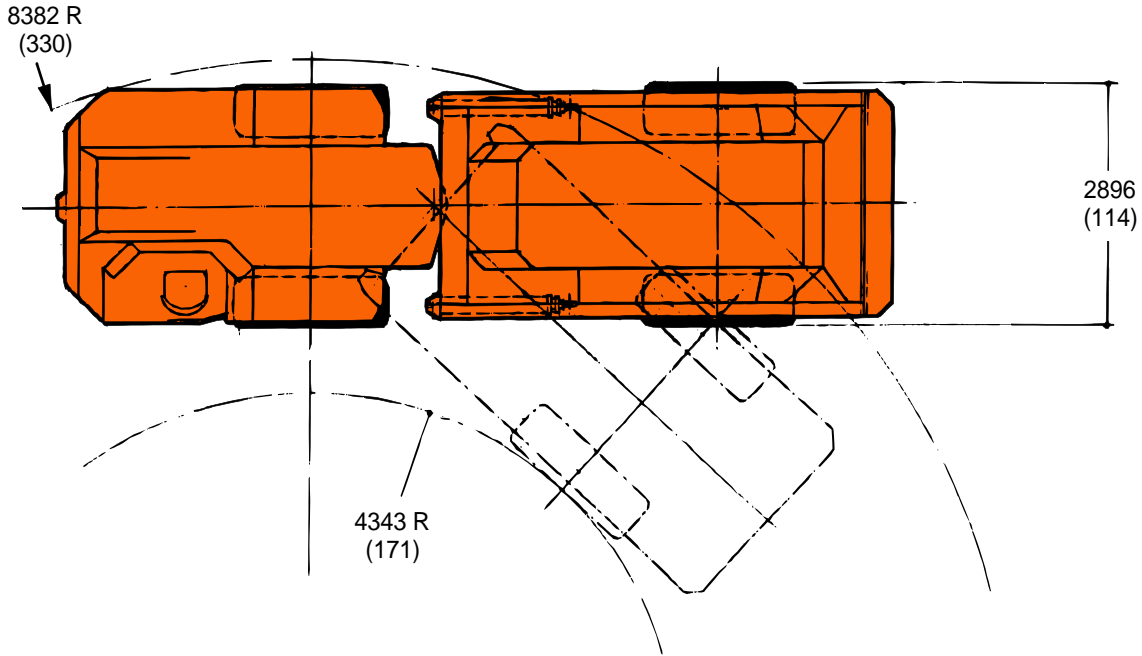
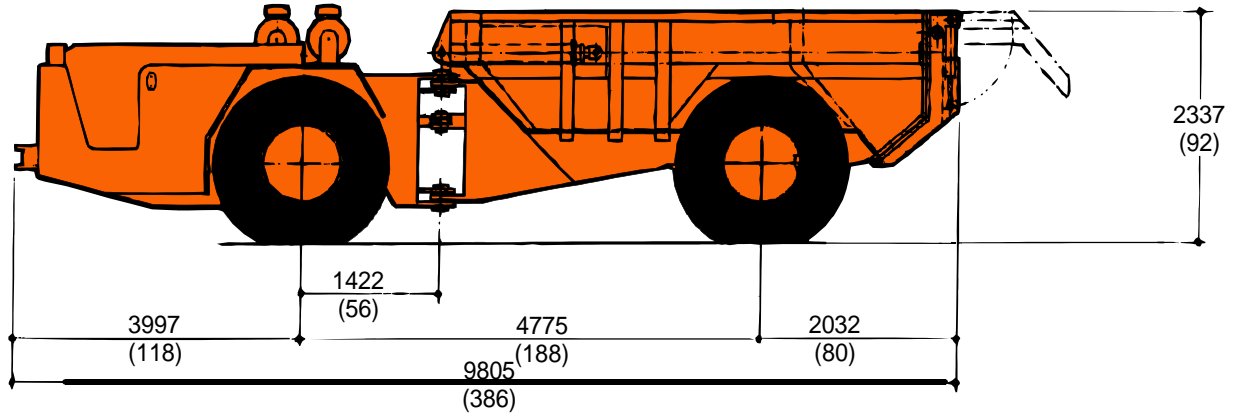
13.4 m³ (17.5 yd³) Snub Nose Box



Note: all dimensions in , dimensions in brackets are in .
 All vertical dimensions are for an empty unit.
 Optional "Snub Nose" box with tail gate shown.



13 m³ (17 yd³) Ejector Box



EJC Mining Equipment

Division of Sandvik Mining and Construction Canada Inc.
 4445 Fairview Street, Burlington Ontario, Canada L7L 2A4
 Tel.: (905) 632-4940



Revision Date: 23/8/05

Email: ejc.loaders@sandvik.com
 Web: <http://www.ejc.sandvik.com>



EJC Mining Equipment

Division of Sandvik Mining and Construction Canada Inc.
4445 Fairview Street, Burlington Ontario, Canada L7L 2A4
Tel.: (905) 632-4940



Revision Date: 23/8/05

Email: ejc.loaders@sandvik.com
Web: <http://www.ejc.sandvik.com>