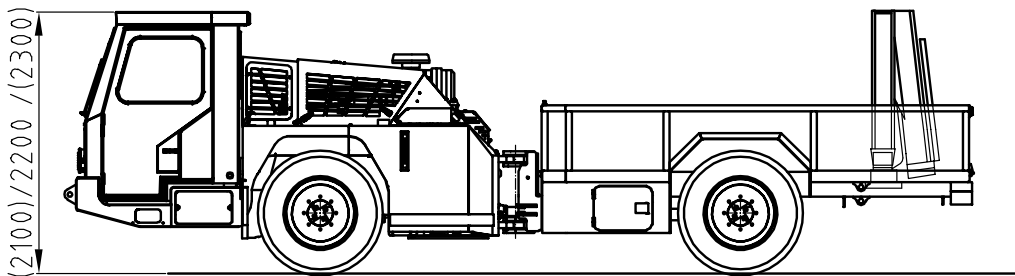
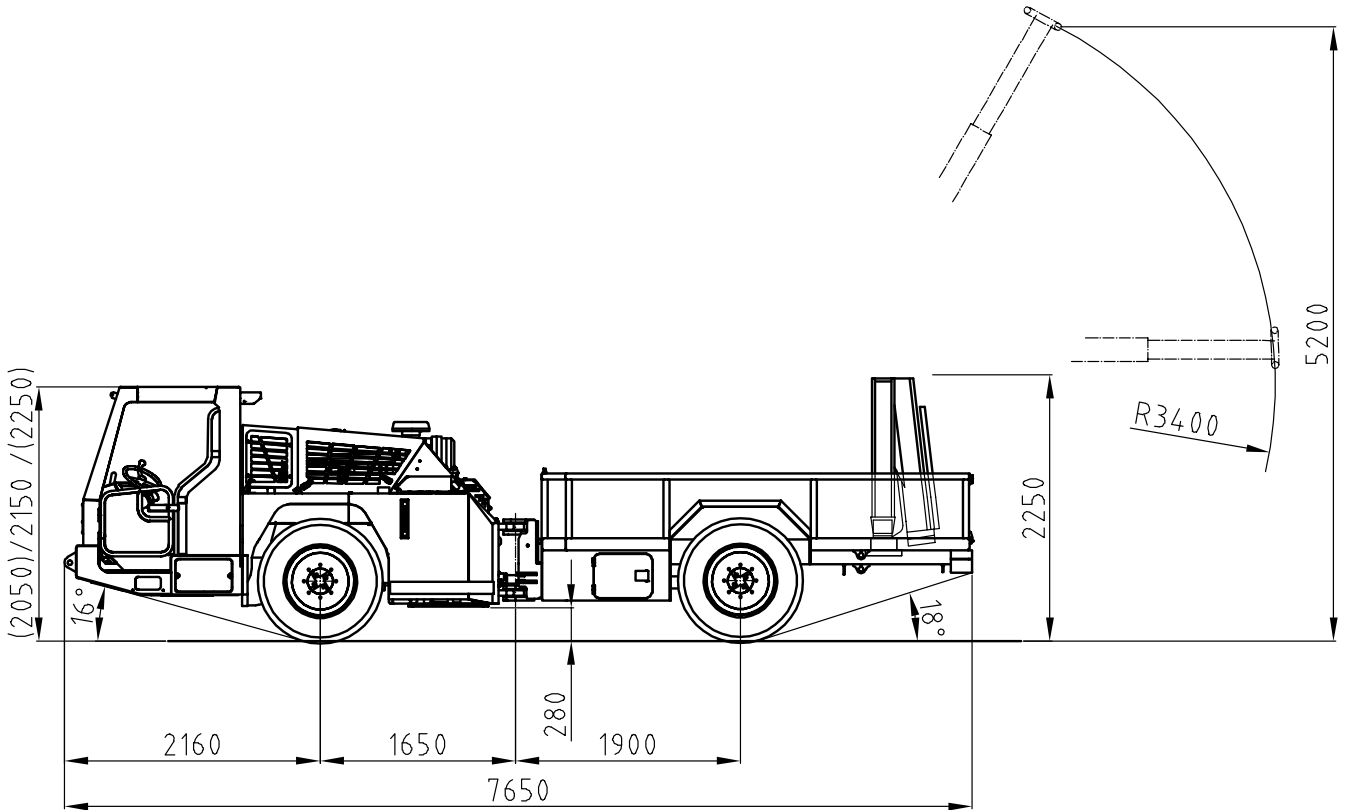


**normet**

Normet Corporation  
Ahmolantie 6  
FI-74510 IISALMI, FINLAND  
Tel +358 (0) 17 83 241  
Fax +358 (0) 17 823 606

# Utimec 6250 CR

TI 1800020  
DRW  
DATE 04.12.2007  
PAGE 1 / 4  
APPR. 18.04.2008

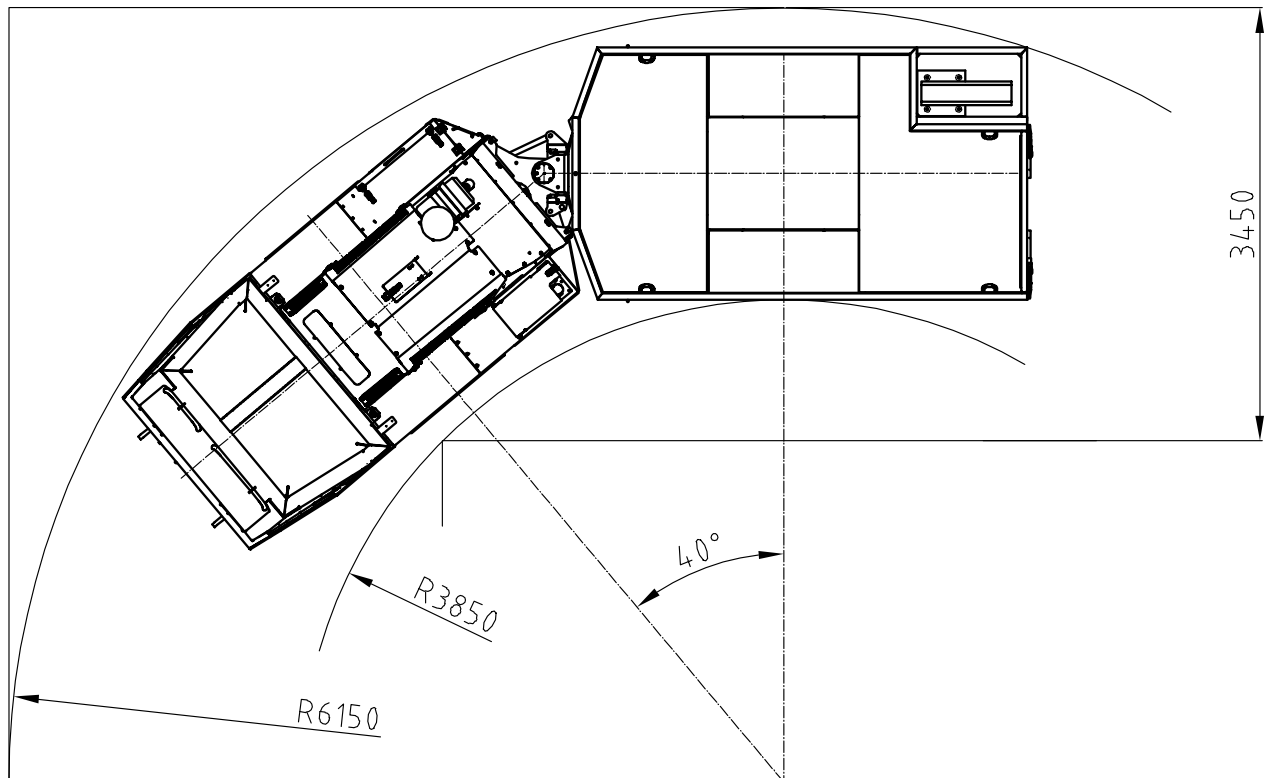
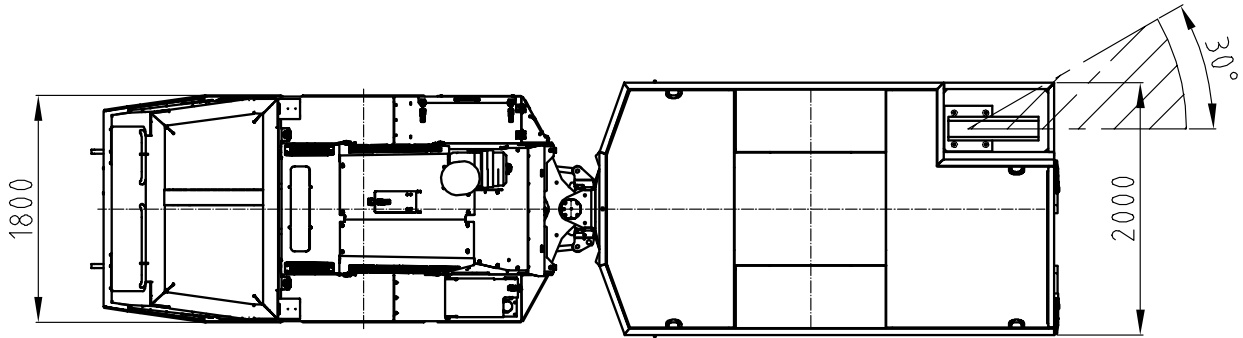


**normet**

Normet Corporation  
Ahmolantie 6  
FI-74510 IISALMI, FINLAND  
Tel +358 (0) 17 83 241  
Fax +358 (0) 17 823 606

# Utimec 6250 CR

TI 1800020  
DRW  
DATE 04.12.2007  
PAGE 2 / 4  
APPR. 18.04.2008





**Normet Corporation**  
Ahmolantie 6  
FI-74510 IISALMI, FINLAND  
Tel +358 (0) 17 83 241  
Fax +358 (0) 17 823 606

## Utimec 6250 CR

TI 1800020  
DRW  
DATE 04.12.2007  
PAGE 3 / 4  
APPR. 18.04.2008

### DIMENSIONS

Length	7650 mm
Width	2000 mm
Height	2250 mm
Wheel base	3550 mm
Track	1500 mm
Ground clearance	280 mm

### WEIGHT

Operating	7500 kg
Max. payload	4500 kg

### TURNING RADIUS

Outer	6100 mm
Inner	3850 mm

### CRANE

Lifting capacity	25,2 kNm
Boom reach – lifting capacity	
- 1,5 m	1800 kg
- 3,5 m	780 kg
- 5,8 m	440 kg
Slewing angle	330°

### PERFORMANCE CURVE

	<b>4800031</b>
1st gear	max. 5 km/h
2nd gear	12 km/h
3rd gear	25 km/h
Max. tractive effort	90 kN

### TRANSMISSION

Dana Spicer powershift  
3 speeds forwards and reverse  
4-wheel drive

### AXLES

Planetary type	
rear axle fixed	
front axle oscillation	+/- 10°

### TYRES

10.00 - 20 PR 16

### BRAKES

**Service brake:** hydraulically powered two-circuit oil immersed multidisc brakes in both axles  
**Safety/Parking brake:** hydraulically released fail-safe - type brake

### STEERING

Hydraulic frame steering,  
Orbitrol type  
Frame articulation +/- 40°

### HYDRAULICS

190 bar, 95 l/min/2200 rpm  
for steering and brakes

### ENGINE

Deutz TCD 2012 L4  
96 kW/2200 rpm

### ELECTRICAL SYSTEM

24 V negative ground  
Battery 2 x 110 Ah  
Alternator 80 A  
Lights (2+2) x 70 W

### OPTIONS AND ACCESSORIES:

#### ENCLOSED CABIN

#### CABIN HEATING

#### AIR CONDITIONING

### ENGINE

MB 904 LA  
90 kW/2200 rpm