

A champion decathlete

The Wacker Neuson Zero Tail Class
28Z3 • 38Z3

NEW
OPTIONAL
WITH VDS



**WACKER
NEUSON**

A prize athlete.
Perfect versatility.
Superior reliability.





No obstacle too tough: The Zero Tails forge their way with full maximum force

THE COMPACT ZERO TAILS WILL INSPIRE YOU WITH THEIR POWER, AGILITY AND SUPERIOR COMFORT. THE LATERAL POSITIONING OF THE ENGINES AND RESERVOIRS AT THE REAR MAKE IT POSSIBLE.

When all other machines find it too constricted on the job, the Wacker Neuson Zero Tails deliver top performance.

A no-compromise machine – sturdy and independent, strengths built on clear and proven principles.

Unstoppable cutting edge innovation.



A true champion.

Top condition for man and machine:

Full control, dynamism, added performance.



The ability to adapt – a winning characteristic: the Wacker Neuson Zero Tail series has made “compact” into a principle of success.

Narrower streets, constricted cities, tighter schedules, increased efficiency demands – this is where the compacts really shine – no tail swing, powerful technology and unbeatable agility put them into a class of their own.

All the Wacker Neuson Zero Tail machines are genuine champions – quick to take the lead, increase the pace and stay ahead while retaining energy efficiency. The top of their class.



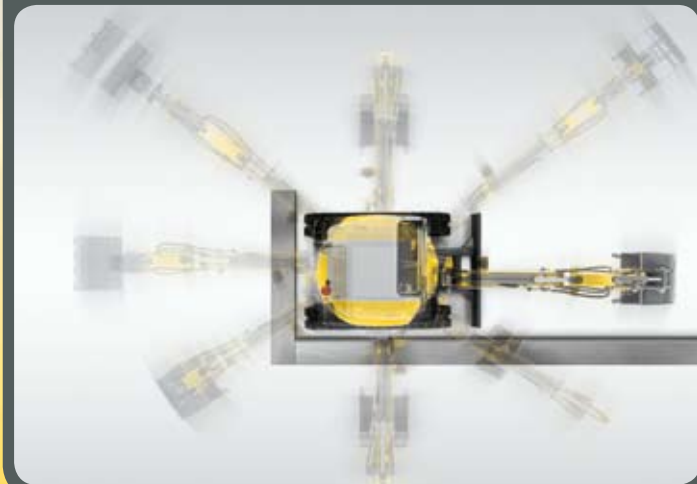
What it's all about:

- No tail swing and compact dimensions.
- Spacious cabins with unobstructed access.
- Fully-equipped series models.
- Standard auxiliary hydraulics;
Optional 2nd auxiliary line.
- Large service access points.
- Individual options for added features.

The optional counter weight (115 kg for the 28Z3 and 150 kg for the 38Z3) allows you to increase the stability by up to 15% (with a tail projection of only 5 cm).



Perfectionist.
Agility.
Sophisticated technology.
Stability.



The unique construction principle of the Wacker Neuson Zero Tail machines.

Engine placed at the side with an additional dividing wall to the cab:

- Minimisation of noise and vibration to the cab.
- Optimal servicing and maintenance access to the diesel engine and components.

Valve control block, fuel tank, hydraulics oil tank at the rear:

- Less heat transferred to the cab.

The Wacker Neuson Zero Tail concept makes it possible to build a larger cab, thereby creating adequate head and leg room for the driver.

zero tail 

PROFESSIONALISM: THANKS TO THE VERTICAL DIGGING SYSTEM* (VDS), YOU AND YOUR EXCAVATOR ARE ALWAYS BEST POSITIONED TO GET ON WITH YOUR WORK.

25%
**MATERIAL AND
TIME SAVINGS**
on excavation and
filling-in



The Vertical Digging System (VDS):

It saves time and money, offers extra security and opens up new possibilities for working even more efficiently.

Preparatory work is costly. Full slewing power is required. Safety is a must. There is no time for unwieldy manoeuvring.

Your Wacker Neuson 28Z3 and 38Z3 with VDS brings you savings of up to 25%:

Thanks to the continuously variable tilting of the superstructure through up to 15°, you can compensate for gradients and height differences of up to 27%.

A steep challenge is turned into an opportunity to excel:

- Greater productivity, improved efficiency: shorter digging times thanks to precisely vertical digging.
- Up to 25% material and time savings when excavating**
- Up to 25% material and time savings when filling in**
- Up to 20% increased stability**
- Full all-round slewing power through 360°
- Familiar seat position, fatigue-proof working conditions
- Simple and robust construction
- 10-year guarantee for tilt console and support

*Option

** on a 15° gradient

15° vds

Top performer.
Superior arm power.
Coordination in motion.
High stability.

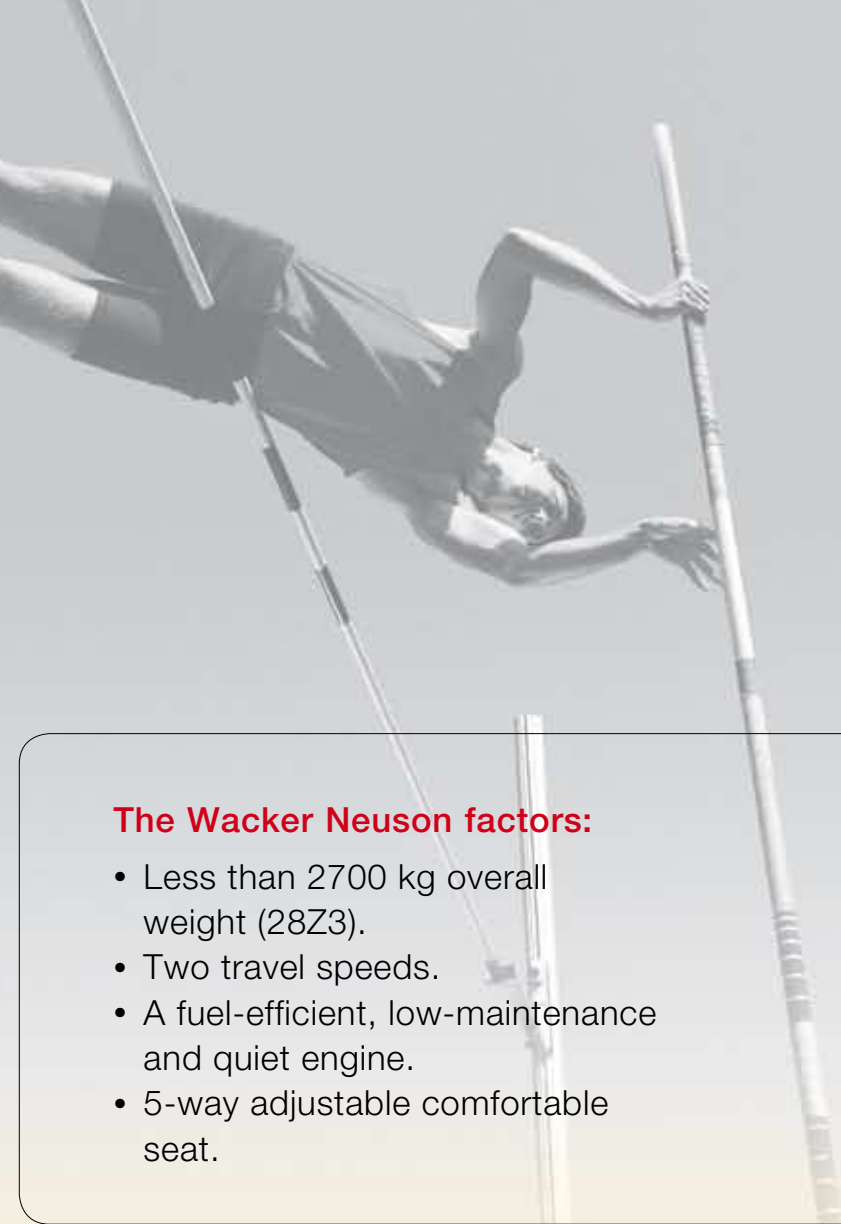


Greatness in a small package. Experience in detail. Built for comfort:
The 28Z3 and 38Z3 have a great deal in common.

Two travel speeds pilot-controlled hydraulic pedals, safety first– an X-shaped strengthened steel chassis frame, 300mm wide rubber tracks and a perfectly balanced construction combine to give you the highest stability.

Standard two-way hydraulic system and an extra return line for the use of a hydraulic hammer.

High arm crowd force and bucket digging force thanks to kinematic movement and the control sensitivity of Wacker Neuson hydraulics.



28Z
38Z

The Wacker Neuson factors:

- Less than 2700 kg overall weight (28Z3).
- Two travel speeds.
- A fuel-efficient, low-maintenance and quiet engine.
- 5-way adjustable comfortable seat.



The innovative hydraulic EASY LOCK quick-hitch system is optimally suited to the kinematics of Wacker Neuson compact excavators and makes a decisive contribution to work process improvement. Just drive up, hook up and lock automatically. Its low headway means that the bucket displacement angle remains unaffected. Workflow improvement is guaranteed.

easylock



An all-round specialist.
Head of the Field in speed.
The power needed for the job.
Winning technology.



Stable footing, high agility, reliable performance and applied ergonomics.
The Wacker Neuson Zero Tail are built around the person.

Wherever stability and cabin comfort are demanded, they are in their element.

The construction methods used for the Wacker Neuson Zero Tail ensure thermal and acoustic separation of the driver cabin and engine compartment. Heat and noise generated by the engine cannot penetrate the cabin. The comfort level of the driver is therefore dramatically increased, while strain is significantly reduced.





28Z_E 38Z_E



1 The canopy can also be removed from the undercarriage through the simple removal of four screws, and conforms to all ROPS, TOPS, and FOPS standards.

2 The large access point and a spacious cabin, quick to disassemble. All machine functions are fully retained, even without the cabin. The cabin of the 38Z3 can also be tipped.

3 An operator position with a commanding view and extra comfort – the driver's seat can be adjusted in 5 different ways. The engine is situated on the side and separated from the cabin.

4 Compact, without being restricting – all features are optimised for practical use and ease of operation.

5 Everything within view – even novices should find working with the Zero Tail simple and safe.



The front runner.
Quick maintenance.
Fast transport.
Flexible adjustments.

The transport professional:

- Less than 2.7 tonnes total weight (with cabin).
- Transport using passenger vehicle trailer (subject to national restrictions).
- Extra reach and additional fields of application.
- Significant savings on costs.



**Agility and profitability as a principle of construction:
The Wacker Neuson Zero Tails are in a class of their own.**

Rapid and precise reactions, safe control over power and easy transportation of excavators.

All these goals have been achieved in every detail – from the hydraulics to the large oil cooler to the special time-saving maintenance requirements. Design specific– ideal proportions and a multitude of strengths, all the characteristics of a true decathlete. That is our success.

- 1 The large dimensions of the hydraulic coolers standard on all our models ensure that the machines can be operated even under high outdoor temperatures with maximum loads at any time.
- 2 All parts requiring maintenance, such as fuel, oil and air filters as well as the water and hydraulic oil coolers and hydraulic oil filters are easily accessible, thanks to the lateral position of the engine.
- 3 The cabin floor panel and the rear cover of the 28Z3 have been designed for extra comfort and time-saving maintenance and are easily removed. They enable easy access to all important components.



28Z_E 38Z_E



4 The tipping cabin of the 38Z3 made for easy servicing access; all components below it are immediately within reach. The necessary servicing work can be carried out on the spot, saving time and money.

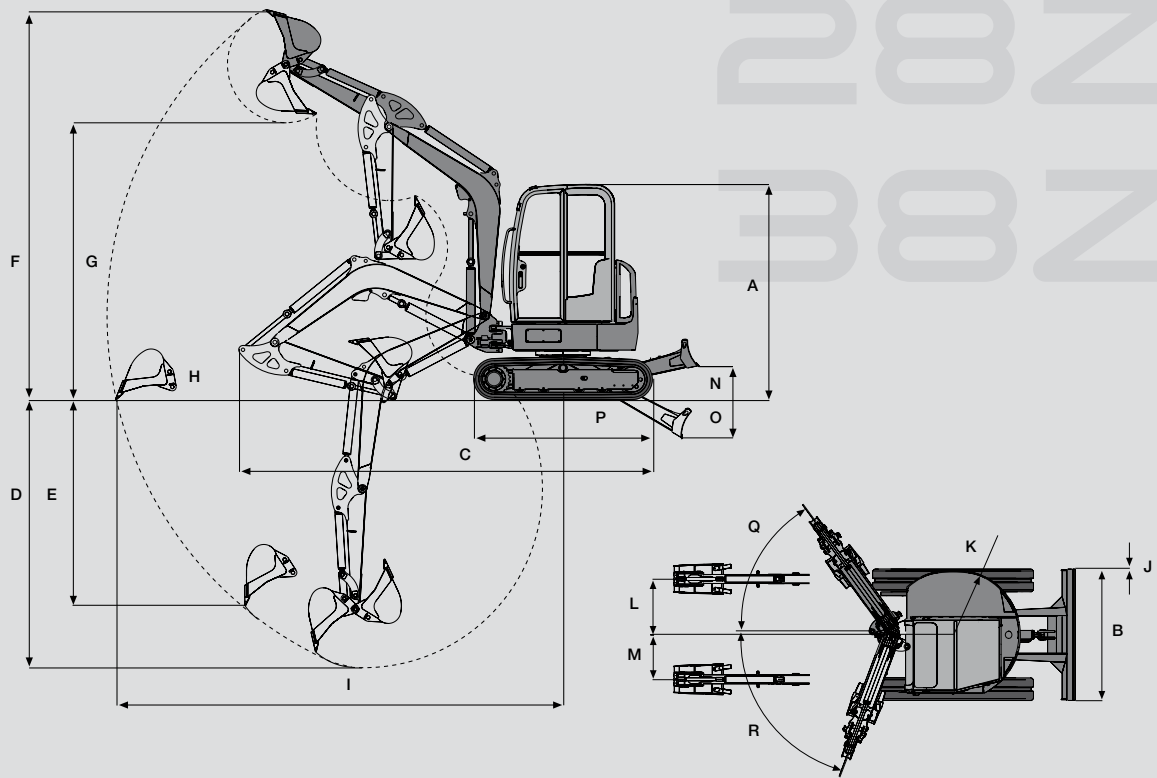
5 The divided pivot bracket connection on the chassis ensures optimal routing of the hydraulic lines and full protection at all times.



Front runner.

Absolute individuality.
One step ahead from
the very beginning.





DIMENSIONS

	28Z3	38Z3
A Height	2408 mm	2500 mm
B Width	1570 mm	1740 mm
C Transport length (arm lowered)	4255 mm	4800 mm
DIGGING DATA (LONG / SHORT DIPPER ARM)		
D Max. digging depth	2544 / 2744 mm	3103 / 3353 mm
E Max. vertical digging depth	1962 / 2152 mm	2430 / 2670 mm
F Max. digging height	4170 / 4300 mm	4530 / 4660 mm
G Max. dumping height	2840 / 2970 mm	3220 / 3350 mm
H Max. digging radius	4613 / 4805 mm	5300 / 5535 mm
I Max. range on the ground	4481 / 4681 mm	5191 / 5431 mm
(GENERAL) DIGGING DATA		
Max. rear protrusion when the superstructure rotates 90°	0 mm	0 mm
K Rear oscillation radius	760 mm	870 mm
L Max. jib shifting in the middle of the excavator bucket on the right side	764 mm	740 mm
M Max. jib shifting in the middle of the excavator bucket on the left side	533 mm	590 mm
N Max. lifting height of dozer blade over planum	380 mm	390 mm
O Max. dozer digging depth	419 mm	450 mm
P Running gear length	2006 mm	2075 mm
Q Max. arm system swivel angle to the right	50 °	55 °
R Max. arm system swivel angle to the left	75 °	70 °

- Ⓐ Projection from the middle of the turntable
- Ⓑ Load sling height above ground level

* Lifting force is restricted hydraulically. All values in the table are given in kg, at horizontal standing on hard ground and without bucket. If a bucket or other work tool is attached, the lifting power or tipping load is reduced by their weight. Basis of calculations: as ISO 10567. The lifting power of the compact excavator is limited by the adjustment of the pressure control valve and by the tipping security. Neither 75 % of the static tipping load nor 87 % of the hydraulic lifting power is exceeded.

0°		with levelling blade support in direction of travel
90°		without levelling blade support 90° to direction of travel

STANDARD EQUIPMENT**28Z3 • 38Z3****OPTIONS****28Z3 • 38Z3****GENERAL INFORMATION****Rubber track 300 mm****Dozer blade****Working light mounted to the boom****Tool kit incl. grease gun and operator manual****ENGINE****Water-cooled YANMAR diesel engine****CABINE****Canopy:** Adjustable driver seat with imitation leather cover and safety belt, canopy (and cabin) complies with FOPS, TOPS and ROPS regulations**HYDRAULICS****Summation regulated****Hydraulic pilot control via joystick****Valve control according** to ISO, DIN, SAE, PCSA and EURO**Auxiliary hydraulic connections** for two directions of motion, mounted on dipperstick**28Z3** Dual travel speed**38Z3** Auto2 speed transmission, dual travel speed operated automatically, 2nd gear manually locked**Hydraulically dampened** drive pedals**Hydraulic oil cooler****Increased, depressurized return line** for several attachments**28Z3** Park brake turn motor**CABINE****Safety cabin:** cabin heating, split front window, top swings back, bottom lifts out, windscreen wiper and washing system, 1 cabin door, covered cab interior. The cabin is removable and complies with FOPS, TOPS and ROPS regulations.**Canopy with back window****38Z3** Air conditioning system**Radio****HYDRAULICS****3. Control unit circuit (proport.)****Biodegradable oil Panolin****BP Biohyd SE46****Flat faced couplers****Proportional control (aux.hyd)****Addit. piping for grapple****Overload valve for auxiliary hydraulic****Overload system Germany****Overload system France****Prepar. hydraulic QH-system (EASY LOCK)****Pilot circuit Powertilt****PAINTING****Special paint 1 RAL**
(for parts in yellow only)**Special paint 1 no RAL**
(for parts in yellow only)**Special paint cabin/canopy RAL**
(RAL colours only)**MISCELLANEOUS****VDS Vertical Digging System****Cab lighting front****Cab lighting front and rear****38Z3** Electrical refuelling pump**Flashing beacon****Idle speed autom. Operation****Driving signal****Counter weight****28Z3** (+112 kg)**38Z3** (+150 kg)**Long dipperstick****28Z3** (+200 mm)**38Z3** (+250 mm)**Security 24 (1500 h)**

(Warranty extension to 24 months or 1500 operation hours)

Security 24 (2000 h)

(Warranty extension to 24 months or 2000 operation hours)

Drive interlock KAT**PACKS****Mirror pack**

Exterior mirror right and left

* see operating manual

Wacker Neuson compact equipment offers power and manoeuvrability on the spot. **Any time, any place.**

We consider it a constant duty to ensure that our promise regarding our products and services is fulfilled:

Reliability, Trust, Quality, Reactivity, Flexibility and Innovation.

Compact construction equipment of the Wacker Neuson brand also does the business where others can only stand and watch. Our products prove their worth through quality, power, intelligent hydraulics, compact dimensions, innovative technology, high productivity and reliability. This gives a form of set-up that only Wacker Neuson – the specialist in compact equipment – is capable of.

You too can take advantage of this bespoke capability. The Wacker Neuson compact class is in a class of its own. With success stamped right through it.



**WACKER
NEUSON**