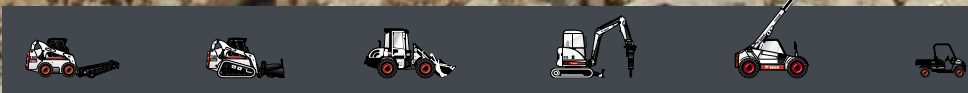




Bobcat®

T190

Compact Loaders



Machine Rating

Rated operating capacity	1088 kg
Tipping load (ISO 14397-1)	3108 kg
Pump capacity – T190	61.6 l/min
Pump capacity – T190H	96.4 l/min
System relief at Quick Couplers	22.4–23.1 MPa
Max. travel speed	11.7 km/h

Engine

Make / Model	Kubota / V2607-DI-TE3B-BC-I
Fuel / Cooling	Diesel / Liquid
Maximum power at 2700 RPM (EEC 80/1269, ISO 9249)	45.5 kW
Torque at 1425 RPM (SAE J1 995 Gross)	218 Nm
Number of cylinders	4
Displacement	2600 cm ³
Fuel tank capacity	106 l

Weights

Operating weight, T190	3453 kg
Operating weight, T190H	3473 kg

Controls

Vehicle steering	Direction and speed controlled by two hand levers or optional joysticks
Loader hydraulics tilt and lift	Separate foot pedals or optional Advanced Control System (ACS) or Selectable Joystick Control (SJC)
Front auxiliary (standard)	Electrical switch on right-hand steering lever

Drive System

Transmission	Infinitely variable tandem hydrostatic piston pumps, driving two fully reversing hydrostatic motors
--------------	---

Standard Features

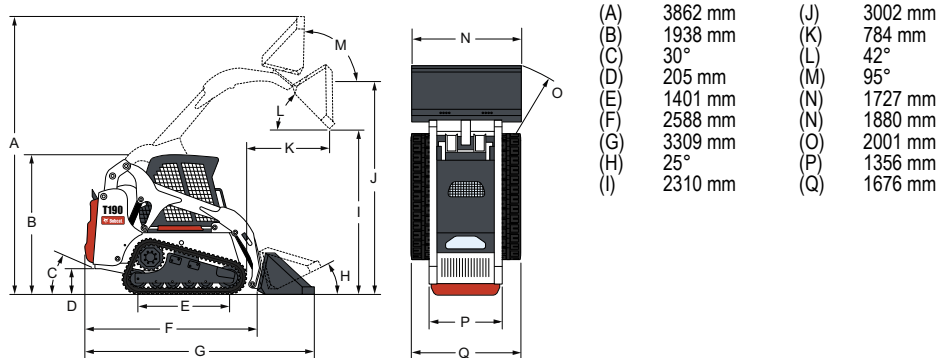
Adjustable cushion seat	Engine/hydraulics system shutdown
Automatically activated glow-plugs	Hydraulic bucket positioning
Bob-Tach™ frame	Instrumentation
Bobcat Interlock Control System (BICS)	Lift arm support
Deluxe operator cab	Operating lights, front and rear
Includes interior cab foam, side, top and rear windows	Parking brake
Front door w/ windshield wiper	Seat belt
Electrically activated proportional front auxiliary hydraulics	Seat bar
	Turbo-charger with approved spark arrestor
	Tracks — rubber — 320 mm
	CE certification

* Roll Over Protective Structure (ROPS) – meets requirements of SAE-J1040 and ISO 3471; Falling Object Protective Structure (FOPS) - meets requirements of SAE-J1043 and ISO 3449, Level I

Options

Deluxe instrument panel	Advanced Control System (ACS)
Power Bob-Tach™	Advanced Hand Controls (AHC)
Cab enclosure with heat	Selectable Joystick Controls (SJC)
Air conditioning	

Dimensions



Attachments

- Angle broom*†
- Auger
- Backhoe
- Box blade
- Brushcat rotary cutter
- Buckets
- Chipper*
- Combination bucket
- Concrete pump*
- Cutter crusher*
- Digger
- Dozer blade*
- Dumping hopper
- Farm grapple
- Grader*
- Hydraulic breaker**
- Industrial grapple
- Landplane
- Landscape rake
- Mixing bucket*
- Pallet fork – standard
- Pallet fork – hydraulic
- Planer*
- Scarifier
- Snow blower*
- Sod layer*
- Soil conditioner*
- Spreader
- Stump grinder*
- Super scraper
- Sweeper
- Three-point hitch
- Tiller
- Tree transplanter*
- Trench compactor
- Trencher
- Utility forks
- Utility frame
- Vibratory roller
- Wheel saw
- Whisker broom

*Attachment control kit required.

**When operating the loader with this attachment, a Special Applications Kit, which includes a 12 mm Lexan front door with 6 mm top and rear windows, must be used.

†Optional water kit.



www.bobcat.eu