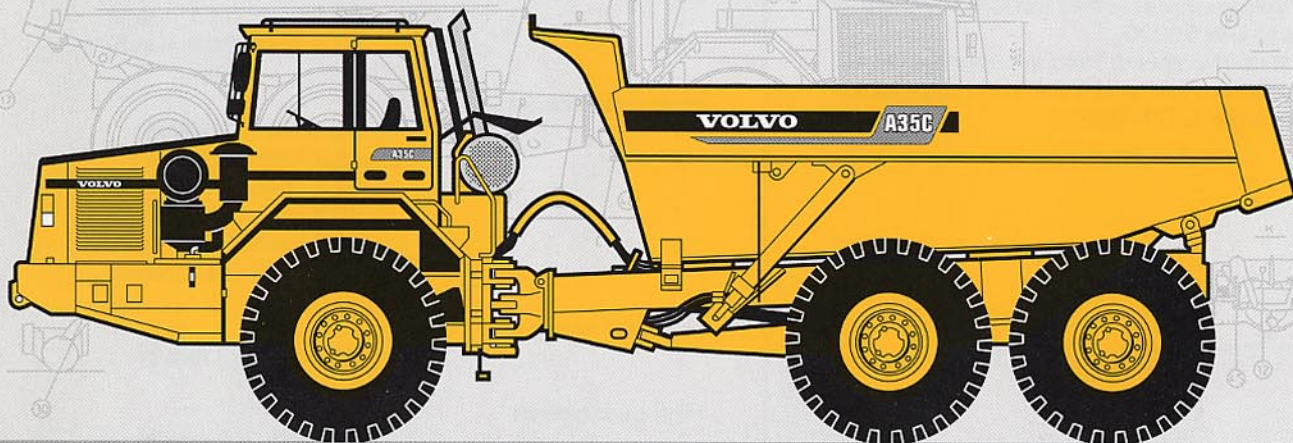


VOLVO ARTICULATED HAULER

A35C

6X6



- Engine output SAE J1349:
Net 262 kW (351 hp)
Gross 267 kW (358 hp)
- Body volume:
19 m³ (25 yd³)
- Load capacity:
32 t (35 sh tn)
- Volvo low emission direct-injected, turbocharged, inter-cooled high performance diesel engine.
- Fully automatic powershift transmission, electronically controlled.
- Hydraulic retarder as standard.
- Drop box with longitudinal differential lock and high and low gear ranges.
- 100% lock-up differential locks. One longitudinal and three transverse diff-locks.
- Front axle with three-point suspension and effective shock absorption.
- Volvo terrain bogie, individually oscillating axles and high ground clearance.
- Load and dump brake
- Low interior noise level
- Adjustable steering wheel

VOLVO



ENGINE

Volvo 6-cylinder, inline, direct-injected, turbocharged, inter-cooled 4-cycle low emission diesel engine with overhead valves and wet replaceable cylinder linings. Meets USA (EPA), California off-road regulation 1996 and European off-road regulation 1997.

Fan: Hydrostatic driven, thermostatically controlled radiator fan consuming power only when needed.

Make	Volvo
Model	TD 122 KME
Max power at	35 r/s (2100 r/min)
SAE J1349 Gross	267 kW (358 hp)
Flywheel power at	35 r/s (2100 r/min)
SAE J1349 Net	262 kW (351 hp)
DIN 6271*	262 kW (351 hp)
Max torque at	18,3 r/s (1100 r/min)
SAE J1349 Gross	1595 Nm (1176 lbf ft)
SAE J1349 Net	1585 Nm (1169 lbf ft)
DIN 6271 **	1585 Nm (1169 lbf ft)
Displacement total	12 l (732 in ³)
Bore	130 mm (5.1 in)
Stroke	150 mm (5.9 in)
Compression ratio	16:1

*) with fan at normal speed. With fan operating at full speed, the flywheel power is 249 kW (333 hp) which corresponds to DIN 70020.

**) with fan at normal speed. With fan operating at full speed, the maximum torque is 1450 Nm (1069 lbf ft) which corresponds to DIN 70020.



ELECTRICAL SYSTEM

Voltage	24 V
Battery capacity	2x170 Ah
Alternator	1,65 kW (60 A)
Starter motor	6,6 kW (8.8 hp)



SERVICE CAPACITIES

Crankcase	31 l (8.2 US gal)
Cooling system, exchange ..	63 l (16.6 US gal)
Cooling system, total	90 l (23.8 US gal)
Transmission	40 l (10.6 US gal)
Drop box	8 l (2.1 US gal)
Front axle	39 l (10.3 US gal)
First bogie axle	41 l (10.8 US gal)
Second bogie axle	39 l (10.3 US gal)
Brake hydraulics	31 l (8.2 US gal)
Hydraulic tank	150 l (39.6 US gal)
Hydraulic system, total	194 l (51.3 US gal)
Fuel tank, total	360 l (95.1 US gal)



DRIVETRAIN

Torque converter: Single stage with free-wheeling stator and automatic lock-up in all gears.

Transmission: Electronically controlled, fully automatic planetary transmission with six gears forward and two in reverse.

Drop box: Volvo with 2-stage design, power take-off, differential with lock-up function and drop box oil cooling.

Axles: Volvo. 6-wheel drive. All axles have transverse diff-locks with 100% lock-up and fully floating axle shafts with planetary type hub reductions.

Differential locks: One longitudinal and three transverse. All with 100% lock-up.

Torque converter	2,37:1
Transmission	Volvo PT 1761
Dropbox	Volvo FL 762
Axles	Volvo AH 63

Speeds with tires 26.5R25

Low gear forward	
1	5,3 km/h (3.3 mile/h)
2	7,6 km/h (4.7 mile/h)
3	13,8 km/h (8.6 mile/h)
4	19,9 km/h (12.4 mile/h)
5	25,3 km/h (15.7 mile/h)
6	33,6 km/h (20.9 mile/h)

High gear forward	
1	8,6 km/h (5.3 mile/h)
2	12,4 km/h (7.7 mile/h)
3	22,3 km/h (13.9 mile/h)
4	32,3 km/h (20.1 mile/h)
5	41,0 km/h (25.5 mile/h)
6	54,4 km/h (33.8 mile/h)

Low gear reverse	
1	8,5 km/h (5.3 mile/h)

High gear reverse	
1	8,0 km/h (5.0 mile/h)
2	13,8 km/h (8.6 mile/h)



SUSPENSION

Volvo suspension system. Totally maintenance-free.

Front axle: One rubber spring with bottoming absorption on each side. Stabilizer. Two shock absorbers on each side. The front axle is suspended at three points, allowing oscillation in rough terrain.

Bogie: Volvo's unique rough terrain bogie, which permits individual oscillation between the axles.



BRAKE SYSTEM

Fully hydraulic disc brakes on all axles. Two circuits. Designed to comply with ISO 3450 and SAE J1473 at gross machine weight.

Circuit Division: One for front axle and one for bogie axles.

Parking brake: Spring-applied, air-released disc brake on the propeller shaft, designed to hold a loaded machine on a grade up to 18%. When the parking brake is applied, the longitudinal differential is locked.

Compressor: Gear-driven by engine transmission.

Retarder: Hydraulic, integrated in transmission as standard. Infinitely variable with the retarder pedal or full effect applied via the service brake pedal.

Load and dump brake: With the engine running, the service brake on the bogie axles is applied together with the parking brake.

For retarding capability incl. retarder, engine and exhaust brake, see graph on page 4.



HYDRAULIC SYSTEM

Pumps: Four engine-dependent, variable piston pumps mounted on flywheel power take-offs.

Ground-dependent hydraulic pump for supplementary steering mounted on dropbox.

Filtration: Through two paper filters with magnetic cores.

Pump capacity per pump . . .	100 l/min (26.4 US gpm)
at shaft speed	34 r/s (2040 r/min)
Working pressure	21 MPa (3048 psi)



CAB

Volvo cab, tested and approved according to ROPS standard ISO/3471 and SAE J1040/APR 88. Mounted on rubber pads which effectively reduce vibrations. Adjustable steering wheel. Radio/Contronic console in ceiling.

Heater and defroster: Filtered air and pressurized cab. Three-speed fan.

Operator's seat: Ergonomically designed and adjustable operator's seat with flameproof upholstery. Retractable hip belt.

Trainer seat: Standard, with hip belt and back rest.

Number of exits	2
Internal sound level acc. to ISO 6394 and at max. speed	76 dB(A)



STEERING SYSTEM

Hydromechanical articulated steering with mechanical feed-back. 3.4 turns lock-to-lock.

Cylinders: Two double-acting steering cylinders.

Supplementary steering: Standard. Complies with ISO 5010 standard at total machine weight.

Steering angle: ± 45°



BODY

Body: Hardened and tempered steel body with high impact strength.

Cylinders: Two 3-stage, of which one stage is double-acting.

Tipping angle	73°
Tipping time with load	15 s
Lowering time	18 s
Body, plate thickness	
Front	8 mm (0.31 in)
Sides	12 mm (0.47 in)
Bottom/chute	16 mm (0.63 in)
Yield strength	1000 N/mm ² (145000 psi)
Tensile strength	1250 N/mm ² (181000 psi)
Hardness min.	360–440 HB



WEIGHTS

Operating weight includes all fluids and operator. Standard machine.

Operating weight:

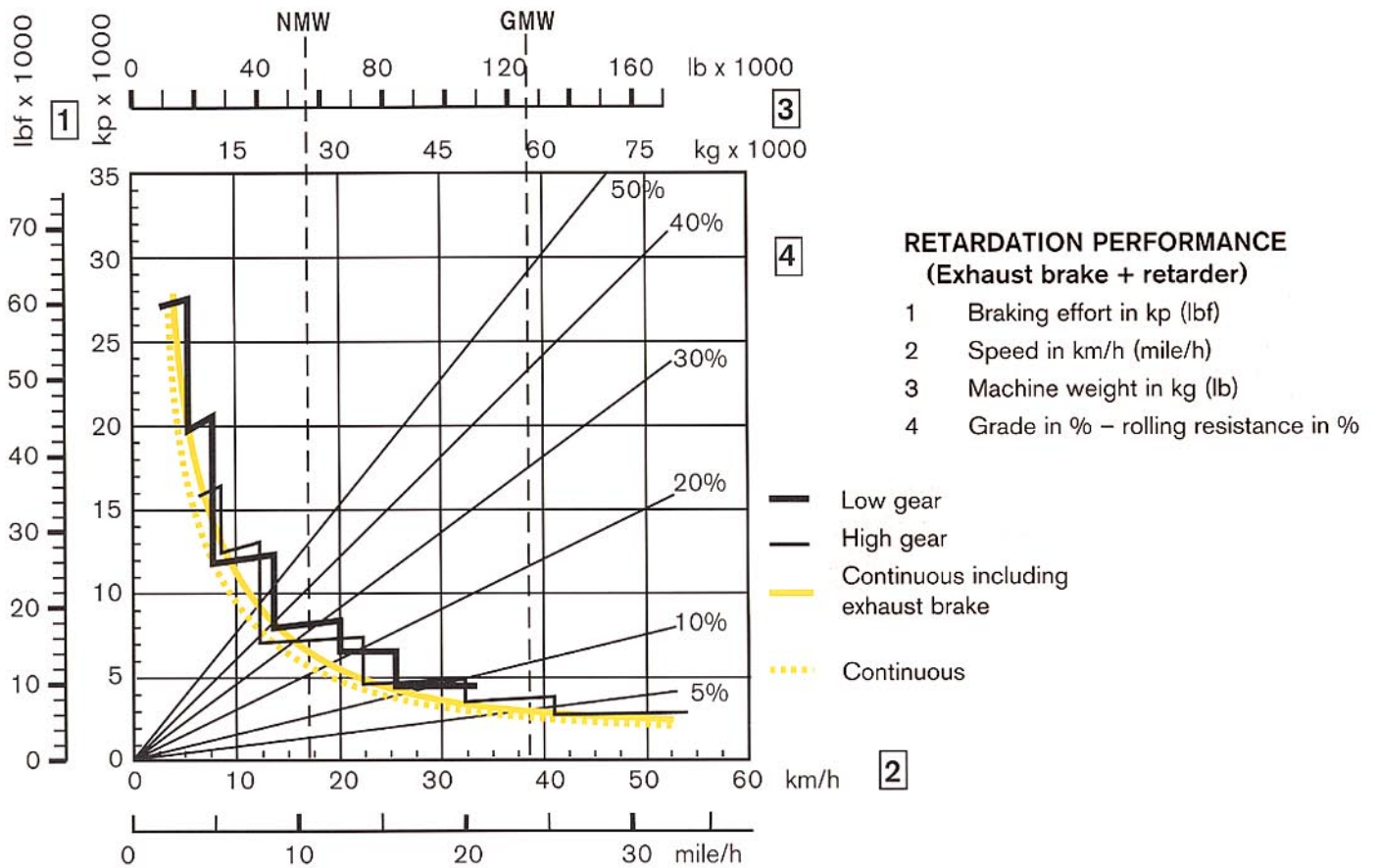
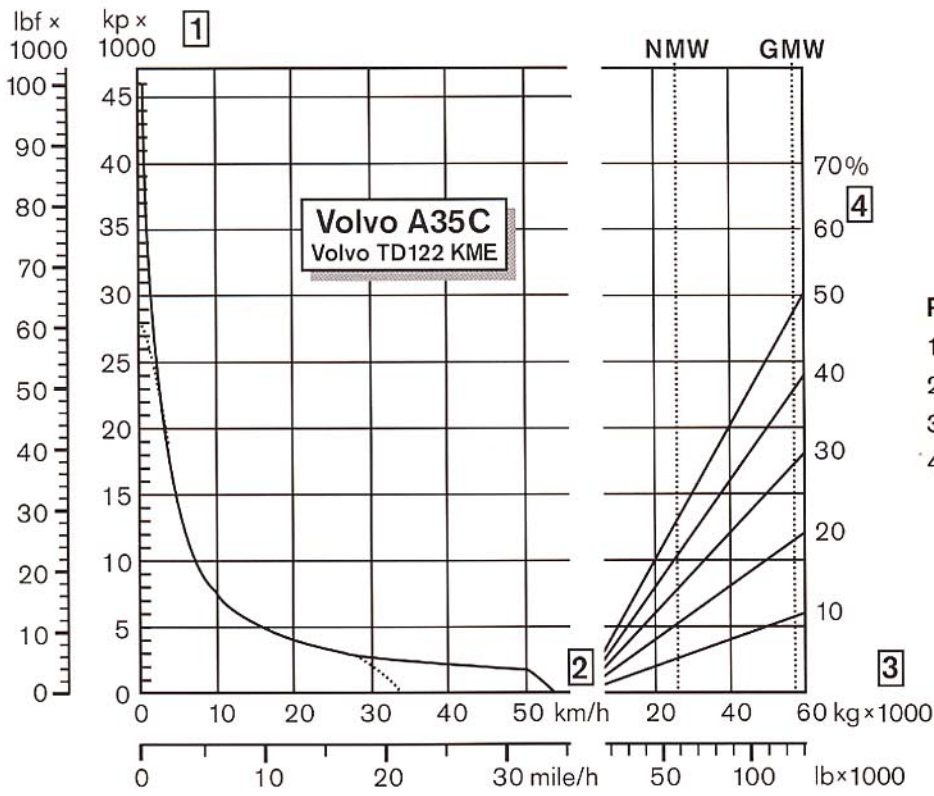
Front	13250 kg (29211 lb)
Rear	12450 kg (27447 lb)
Total	25700 kg (56658 lb)
Payload	32000 kg (70547 lb)
Total weight	
Front	16450 kg (36265 lb)
Rear	41250 kg (90939 lb)
Total	57700 kg (127204 lb)



GROUND PRESSURE

At 15% sinkage of unloaded radius and specified weights.

Unloaded	
Front	111 kPa (16.1 psi)
Rear	52 kPa (7.5 psi)
Loaded	
Front	138 kPa (20.0 psi)
Rear	174 kPa (25.2 psi)



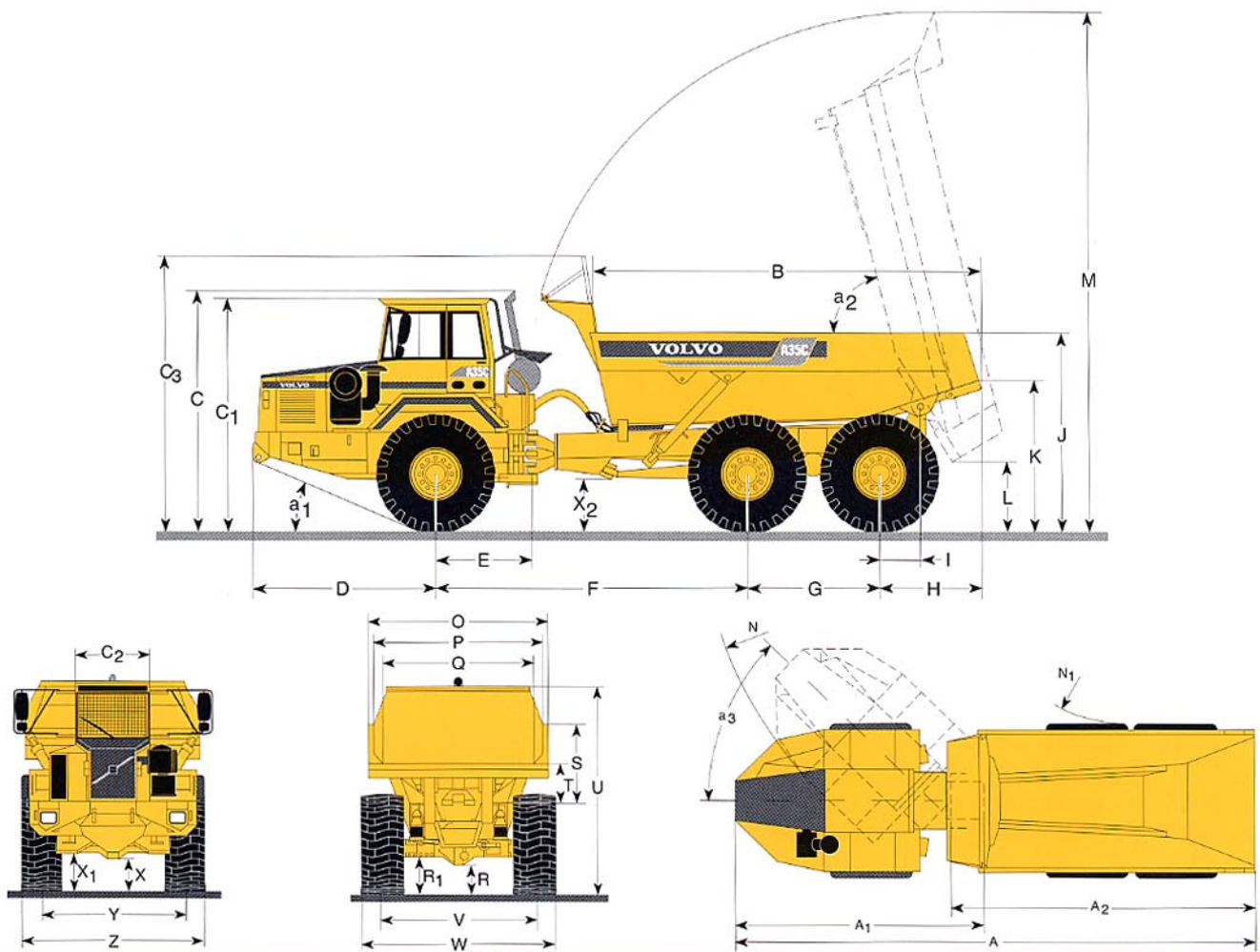
INSTRUCTIONS

Diagonal lines represent total resistance (grade % plus rolling resistance %).

Charts based on 0% rolling resistance, standard tires and gearing, unless otherwise stated.

In the retardation chart, the diagonal lines represent the "total resistance" as well (here in downhill grades it is the total extra pushing force), which is the grade in % minus the rolling resistance in %.

- A. Find the diagonal line with the appropriate total resistance on the right-hand edge of the chart.
- B. Follow the diagonal line downward until it intersects the actual machine weight line, NMW or GMW.
- C. Draw a new line horizontally to the left from the point of intersection until the new line intersects the rimpull or retardation curve.
- D. Read down for vehicle speed.



DIMENSIONS Volvo A35C 6x6 (Unloaded)

A	10898 mm (35'9")	F	4495 mm (14'9")	O	3006 mm (9'10")	V	2522 mm (8'3")
A ₁	5232 mm (17'2")	G	1820 mm (6')	P	2770 mm (9'1")	W	3200 mm (10'6")
A ₂	6348 mm (20'10")	H	1624 mm (5'4")	Q	2510 mm (8'3")	X	519 mm (1'8")
B	5554 mm (18'3")	I	725 mm (2'5")	R	570 mm (1'10")	X ₁	559 mm (1'10")
C	3604 mm (11'10")	J	2922 mm (9'7")	R ₁	670 mm (2'2")	X ₂	696 mm (2'3")
C ₁	3510 mm (11'6")	K	2231 mm (7'4")	S	1274 mm (4'2")	Y	2522 mm (8'3")
C ₂	1330 mm (4'4")	L	1054 mm (3'5")	T	595 mm (1'11")	Z	3200 mm (10'6")
C ₃	3997 mm (13'1") with optional spillguard in upright position	M	7529 mm (24'8")	U	3486 mm (11'5")	a ₁	25°
D	2959 mm (9'8")	N	8694 mm (28'6")			a ₂	73°
E	1270 mm (4'2")	N ₁	4300 mm (14'1")			a ₃	45°

LOAD CAPACITY (Body volumes according to SAE 2:1)

Load capacity.....	32000 kg (35 sh tn)
Body, struck.....	14,8 m ³ (19 yd ³)
heaped	19 m ³ (25 yd ³)

With overhung tailgate (optional)

Body, struck.....	15,2 m ³ (20 yd ³)
heaped	19,8 m ³ (26 yd ³)

STANDARD EQUIPMENT

<p>Safety ROPS cab Anti-slip material on fenders and hood Ergonomically designed and adjustable operator's seat with retractable seat belt Extra seat for trainer with back rest and seat belt Hazard flashers Horn Protective grille for rear window Rear-view mirrors Secondary steering Speedometer Steering joint locking assembly Windshield wipers with interval Windshield washers</p> <p>Comfort Adjustable steering wheel Ashtray Cab heater with filtered fresh air and defroster Cigarette lighter Cup holder Radio/Contronic console in ceiling Sun visor Tinted glass</p> <p>Engine Intercooler Low emission engine Oil drainage hose Preheating Turbocharger</p>	<p>Electric system Alternator Battery disconnect switch Electrical outlet</p> <p><i>Lights:</i></p> <ul style="list-style-type: none"> • Headlights, main/dipped • Parking lights • Direction indicators • Rear lights • Back-up lights • Brake lights • Cab lighting • Instrument lighting • Control panel lighting <p><i>Gauges for:</i></p> <ul style="list-style-type: none"> • Air pressure • Engine temperature • Engine revs • Fuel • Hours • Transmission oil temperature <p><i>Pilot lamps for:</i></p> <ul style="list-style-type: none"> • Direction indicators • Bogie axles diff-lock • Front axle diff-lock • Longitudinal diff-lock • Lights • Main beam • Preheating • High-low gear 	<p><i>Warning lamps for:</i></p> <ul style="list-style-type: none"> • Air cleaner, engine • Battery charging • Body up • Brake pressure • Brake fluid level • Coolant level • Engine oil pressure • Engine temperature • Engine-dependent steering pump • Ground-dependent steering pump • Parking brake • Transmission temperature <p><i>Central warning:</i></p> <ul style="list-style-type: none"> • Battery charging • Brake pressure • Brake oil level • Body up • Engine oil pressure • Engine overspeed • Steering function • Transmission/ drop box malfunction 	<p>Drivetrain Torque converter with automatic lock-up Automatic transmission Hydraulic, variable retarder Drop box with high/low gear Longitudinal diff-lock Differential lock front axle Differential lock first bogie axle Differential lock second bogie axle Brake guard</p> <p>Brakes Fully hydraulic disc brakes Two circuits Brake shields Parking brake on all wheels Retarder activation in brake pedal Load and dump brake</p> <p>Body Body with exhaust ducts</p> <p>Tires 26.5R25</p>
---	---	---	--

OPTIONAL EQUIPMENT

<p>Service and maintenance Tool kit with tyre inflation unit Tool box Central lubrication</p> <p>Engine Oil-bath air cleaner Coolant filter Exhaust brake</p> <p>Electrical Work lights, roof-mounted Rotating beacon Headlights for left hand traffic Head light protection</p>	<p>Cab Airsuspended, electrically heated operator's seat Air conditioning Contronic display Electrically heated rear-view mirrors Kit for radio installation Radio</p>	<p>Protection Overhead guards FOPS Fire-extinguisher and first aid cushion</p> <p>External Rear mudflaps</p>	<p>Body Extra front spillguard Body heating Overhung tailgate, wire Wear plates, kit delivery Upper side extensions, 200 mm</p> <p>Other Synthetic hydraulic oil (biologically degradable)</p>
---	---	---	--

Under our policy of continual product improvement, we reserve the right to change specifications and design without prior notice. The illustrations do not necessarily show the standard version of the machine.

VOLVO

Volvo Construction
 Equipment Group

Ref. No 21 3 669 4091
 Printed in Sweden 98.03-4
 Volvo Växjö

English
 ART