

VOLVO ARTICULATED HAULERS
HAULER CHASSIS



ATTACH AND GO.

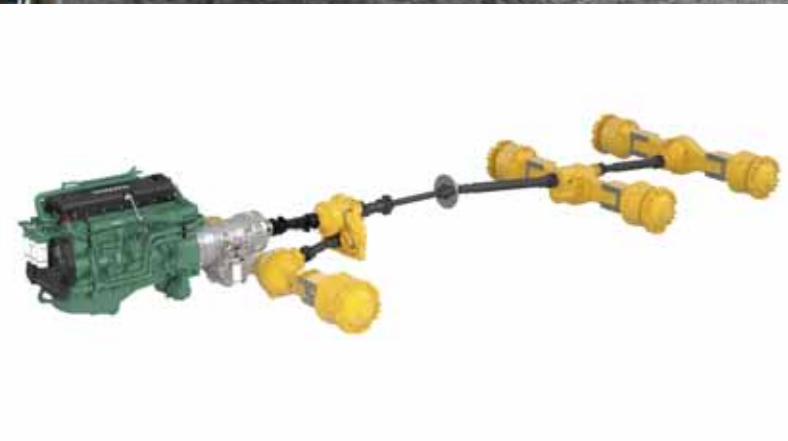
Handle your workload with Volvo's hauler chassis designed for ultimate performance, flexibility and versatility. This machine is the perfect solution for all your transport needs; it can be easily adapted to various superstructures for a wide range of applications across difficult terrains. Let Volvo give you more!

Articulated steering

Unique self-compensating, hydro-mechanical steering system provides directional steering stability, steering force and maneuverability for ease of operation, increased safety and productivity – even in the toughest of operating conditions. The rotating hitch, with permanent greased tapered roller bearings, eliminates frame twist for improved off-road mobility.

Off-road performance

Heavy-duty frames for off-road operations ensure maximum durability. Performance is enhanced with large, wide tires guaranteeing low ground pressure. 'Dog clutch' designed differential locks with 100% locking capability and a no-slip, no-wear design reduces operating costs. Three-point suspension provides excellent independent wheel movement.



Perfectly matched Volvo components

Powerful Volvo diesel engine delivers high torque at low rpm for superior fuel efficiency. Volvo Powertronic full automatic planetary transmission, with lockup function, provides accurate and smooth gear shifting for productive operation. The in-line design of the dropbox ensures high ground clearance, machine stability and low power losses.

Impressive rimpull

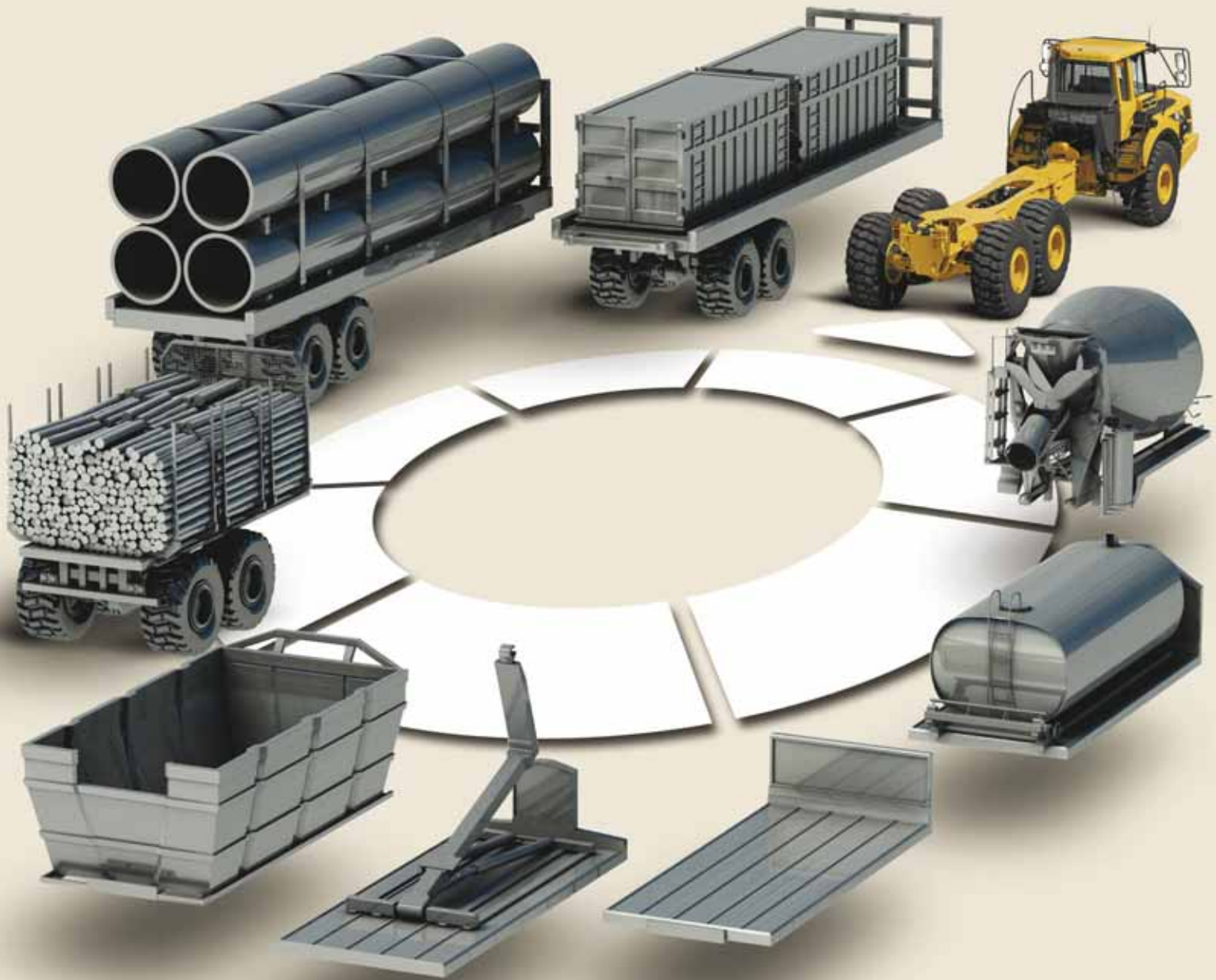
Reliable and expertly designed Volvo components are well matched in the drivetrain which has been specifically developed for heavy duty applications. Functioning together they ensure high rimpull, lower power losses and a long service life for reduced operating costs and environmental impact.



Hauler chassis transport solutions

Volvo's hauler chassis offers the opportunity to convert the proven articulated hauler concept for a range of uses, limited only by the imagination and physical laws. With support from local Volvo dealers and body builder companies, customers can turn this standard product into their ideal transport solution for maneuverability, productivity and profitability.

SUPER SUPERSTRUCTURES.



Superstructures

Your local Volvo dealer, together with a body builder company, can supply you with a hauler chassis fitted with a superstructure to meet your needs. These versatile vehicles can easily be rebuilt back to the original standard articulated hauler, increasing machine resale value.

The Volvo hauler chassis gives you more flexibility and versatility. It is part of a modular system and forms a platform for superstructures which convert the machine into several special purpose vehicles designed to fulfil your specific needs in the toughest operating conditions.

Hauler chassis compatibility

Volvo's hauler chassis features specific optional equipment as well as electrical and hydraulic interfaces to fit various superstructures. Get more uptime, productivity and profitability from quick and easy to attach superstructures.



Body Builder Instructions portal (BBI)

This key web tool supports the creation of hauler chassis transport solutions. It provides drawings, specifications and other technical information ensuring the machine performs safely, efficiently and economically – increasing uptime and profitability.



Bolt-on rear frame extensions

Achieve ultimate flexibility with the rear frame extension, available in two lengths: 1,2m and 1,7m. Bolt-on capability allows the machine to be converted easily to a standard articulated hauler ensuring flexibility and higher resale value.

ENDLESS OPPORTUNITIES.

Handle your workload in any application with Volvo's versatile hauler chassis. Fitted with one of many superstructures these smart machines will work hard to get the job done. Discover below eight successful applications and contact your local Volvo dealer to create your own efficient solution.

Fifth wheel

A durable fifth wheel is mounted on the hauler chassis rear frame, allowing it to pull different types of trailers. For example, in the oil and gas industries this enables the transportation of pipes and heavy equipment on trailers in rough terrain. In forestry it allows for transporting of full length and cut-to length trees on trailers and pole trailers.



Hook lift

A hook lift system is mounted on the hauler chassis to enable a variety of haulage uses from waste handling on landfill sites, to material transporting in steel mills, from industrial applications to loading/unloading operations in harbours and train stations.



Platform

A flat platform can be used for off-road transportation of heavy and large objects. For example, in construction segment, a platform is used to move crawler excavators, dozers, tunnelling machines and service equipment.

Water tank

Used, for example, to dampen down dusty areas on a construction sites, preparing the surface for road building, or in a quarries. Other common uses include dampening roads before sweeping to minimize dust and compressing landfills.

Timber hauler

A special platform, stakes and protection grid are mounted on the rear frame of the hauler chassis to allow cut to length trees to be secured and transported off-road in the forestry industry.



Container hauler

A special frame kit is mounted on the hauler chassis allowing secure transport and tipping the standard ISO containers. Typical jobsites: recycling and waste management facilities, harbours, train stations and goods terminals.



Concrete mixer

The concrete mixer is mounted on the hauler chassis rear frame, allowing mixing and transporting concrete at heavy infrastructure and underground construction jobsites.



Ejector body

The purpose-built ejector body enables horizontal unloading which is a key benefit when working in areas with reduced overhead clearance. It excels at precisely spreading material 'on-the-go' in rough terrain and soft ground conditions, ensuring productive and safe operation.

BUILT TO TRANSPORT YOUR WORKLOAD.

Excellent operator environment

Spacious, comfortable cab with centrally positioned operator station, excellent visibility and ergonomic controls for safe, highly productive operation. Meets ROPS / FOPS safety standards.

Powerful hydraulics

Efficient load-sensing hydraulic system. Variable displacement pumps consume power only when required. Various hydraulic interfaces available for specific superstructures.

Service and maintenance

90 degree tilting hood and swing down front grill, with integrated steps, act as a service platform. All grease points and remote mounted drains are accessible from ground level or non-slip platforms. No daily or weekly greasing.



Transport solutions

Volvo's hauler chassis is a versatile platform offering the opportunity to convert the proven articulated hauler concept for a range of applications.

Articulated steering

Unique self-compensating, hydro-mechanical steering system provides directional stability, steering force and maneuverability for ease of operation, increased safety and productivity.

Rimpull and traction

High rimpull is ensured through well matched, reliable and expertly designed Volvo components.



Superstructures

Your local Volvo dealer, together with a body builder company, will deliver a hauler chassis fitted with a superstructure to meet your needs.

Durable frames

Heavy-duty front and rear frames designed for severe-road operations and long service life.



Rear frame extensions

Achieve ultimate flexibility with the bolted rear frame extension, available in two lengths: 1,2 m and 1,7 m.



Tires for low ground pressure

Large wide tires excel in all kinds of applications and provide excellent terrain mobility as well as operator comfort.

Automatic Traction Control

ATC system provides automatic engagement and disengagement of 6x6 drive, simplifying operation, reducing fuel consumption and prolonging tire life.



Web-based portal

This key web tool provides drawings, specifications and other technical information to support the integration of superstructures.

HAVE IT YOUR WAY.

Volvo offers its customers the opportunity to customize the hauler chassis to meet their specific needs. Whether you are working in dusty conditions and require an additional engine air pre-cleaner to maintain engine performance, or you want to build a hooklift for long loads – we've got the right option.

Rear frame extension

Durable bolt-on rear frame extension modules in 1,2m and 1,7m allow the machine to be extended for long containers and other loads – ensuring flexibility and increasing resale value as it is easily converted back to a standard articulated hauler.

Auxiliary hydraulics

In addition to the standard machine hydraulics, auxiliary open or closed center system can be mounted. The hydraulic interface for superstructures is a block, located on the front part of the rear frame. It makes easy to connect without any modifications various external equipment.

Rear windshield washer and wiper

Wiper and washer to keep the cab's rear window clear for improved visibility, work efficiency and safety. Designed specifically for hauler chassis applications.



High engine idle speed

Increases the engine's idle speed. Used when power consuming equipment is mounted. Also facilitates faster engine warm-up at cold ambient temperature.

Trailer brake valve

The optional converting valve enables the adaption from the hauler chassis fully hydraulic brake system to the trailer air brake system.

Low profile tires

Wide, 65% profile tires ensure excellent off-road performance and operator comfort. They excel in applications demanding lower ground pressure, improved flotation and stability.

Additional engine air pre-cleaners

An additional pre-cleaner is recommended for dusty operating conditions to maintain engine performance, minimize machine downtime and maintenance costs. An extra cyclone or high capacity oil-bath pre-cleaner catches the debris before the standard air filter.

Automatic Climate Control (ACC)

The electronically controlled high-capacity heating and ventilation system provides excellent comfort, increasing productivity. The operator determines working environment in the cab by setting the preferred temperature.

Electrical engine hood opener

This option allows to access the engine compartment easier and faster.

The electrically operated pump raises and lowers the hood, improving serviceability.



Anti-theft system

Protect your machine from unauthorised use with Volvo's anti-theft system. A four digit pin code must be entered via the operator communication system to start the engine.

Electric engine heater

Engine block coolant immersion heater facilitates starting in cold conditions, reducing wear of the engine, fuel consumption and exhaust emissions.

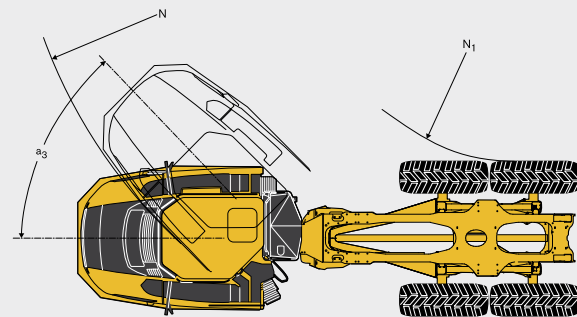
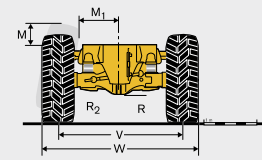
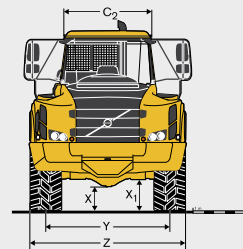
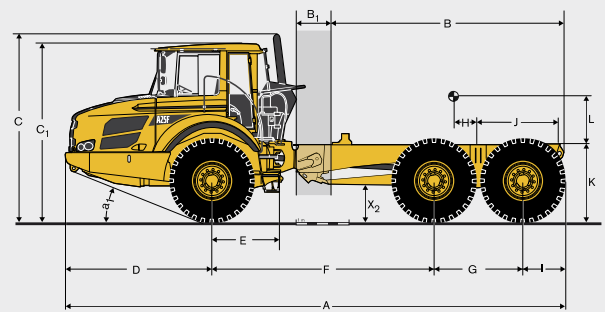
Engine auto shut down

The engine shuts down automatically after 15 minutes of idle time which reduces fuel consumption and environmental impact.

SPECIFICATIONS.

Dimensions

Pos	A25F		
	HC42 Chassis Standard Chassis	HC54 Chassis incl. 1,2 m extension	HC59 Chassis incl. 1,7 m extension
	mm	mm	mm
A	9 410	10 600	11 107
B	4 435	5 635	6 135
B1	4 335	5 535	6 035
C	3 451	3 451	3 451
C1	3 318	3 318	3 318
C2	1 772	1 772	1 772
D	2 763	2 763	2 763
E	1 209	1 209	1 209
F	4 175	5 375	5 875
G	1 670	1 670	1 670
H	431	539	438
I	609	609	609
J	1 444	1 444	1 444
K	1 400	1 400	1 400
L	940	940	940
M	365	365	365
M1	720	720	720
N	8 091	9 731	10 436
N1	4 065	5 264	5 762
R	513	513	513
R1	629	629	629
V	2 258	2 258	2 258
W	2 859	2 859	2 859
X	458	458	458
X1	586	586	586
X2	659	659	659
Y	2 258	2 258	2 258
Z	2 859	2 859	2 859
	°	°	°
a1	23,5	23,5	23,5
a3	45	45	45



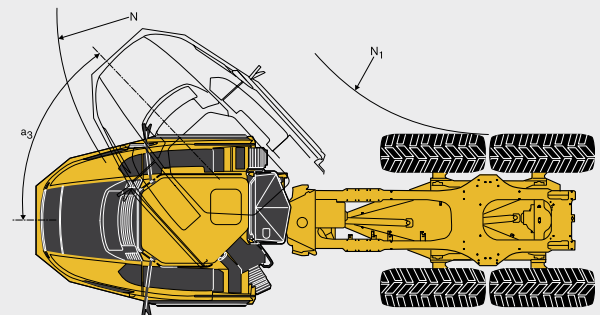
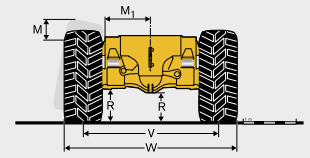
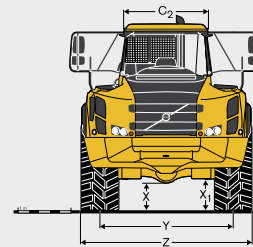
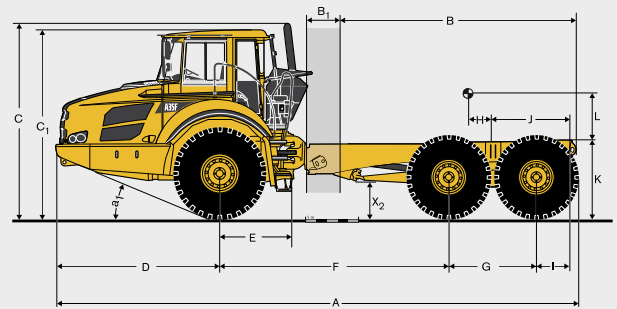
A25F with 23.5R25 tires

Total weight

	A25F		
	HC42 Chassis Standard Chassis	HC54 Chassis incl. 1,2 m extension	HC59 Chassis incl. 1,7 m extension
	kg	kg	kg
Chassis weight (excl. superstructure)			
Front	12 143	12 244	12 257
Rear	5 804	6 258	6 407
Total	17 947	18 502	18 664
Payload incl. superstructure	27 953	27 398	27 236
Total weight (incl. superstructure and payload)			
Front	14 550	14 550	14 550
Rear	31 350	31 350	31 350
Total	45 900	45 900	45 900

Dimensions

Pos	A30F		
	HC42 Chassis Standard Chassis	HC54 Chassis incl. 1,2 m extension	HC59 Chassis incl. 1,7 m extension
	mm	mm	mm
A	9 410	10 600	11 107
B	4 435	5 635	6 135
B1	4 335	5 535	6 035
C	3 451	3 451	3 451
C1	3 318	3 318	3 318
C2	1 772	1 772	1 772
D	2 762	2 762	2 762
E	1 209	1 209	1 209
F	4 175	5 375	5 875
G	1 670	1 670	1 670
H	455	557	466
I	608	608	608
J	1 444	1 444	1 444
K	1 400	1 400	1 400
L	1 005	1 005	1 005
M	380	380	380
M1	615	615	615
N	8 092	9 771	10 500
N1	4 023	5 240	5 740
R	514	514	514
R1	630	630	630
V	2 216	2 216	2 216
W	2 941	2 941	2 941
X	456	456	456
X1	585	585	585
X2	659	659	659
Y	2 216	2 216	2 216
Z	2 941	2 941	2 941
	°	°	°
a1	23,5	23,5	23,5
a3	45	45	45



A30F with 750/65R25 tires

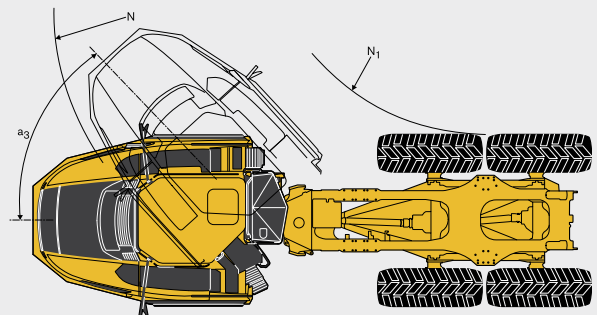
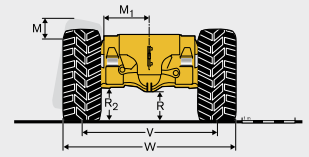
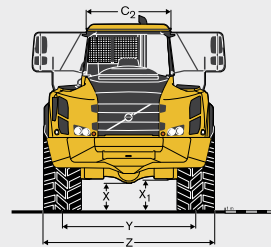
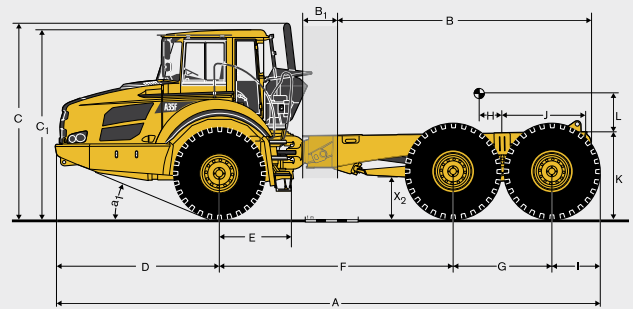
Total weight

	A30F		
	HC42 Chassis Standard Chassis	HC54 Chassis incl. 1,2 m extension	HC59 Chassis incl. 1,7 m extension
	kg	kg	kg
Chassis weight (excl. superstructure)			
Front	12 425	12 621	12 629
Rear	6 575	6 938	7 092
Total	19 000	19 559	19 721
Payload incl. superstructure	32 200	31 641	31 479
Total weight (incl. superstructure and payload)			
Front	15 350	15 350	15 350
Rear	35 850	35 850	35 850
Total	51 200	51 200	51 200

SPECIFICATIONS.

Dimensions

Pos	A35F	A35FFS
	HC45 Chassis Standard Chassis	HC45 Chassis Standard Chassis
	mm	mm
A	10 375	10 375
B	4 850	4 850
B1	4 760	4 760
C	3 716	3 716
C1	3 546	3 546
C2	1 772	1 772
D	3 101	3 101
E	1 277	1 277
F	4 578	4 578
G	1 820	1 820
H	506	506
I	650	650
J	1 560	1 560
K	1 602	1 602
L	882	882
M	355	355
M1	785	785
N	8 853	8 853
N1	4 395	4 395
R	579	579
R1	668	604
V	2 534	2 534
W	3 258	3 258
X	521	521
X1	607	617
X2	754	754
Y	2 534	2 534
Z	3 258	3 258
	°	°
a1	23,6	23,6
a3	45	45



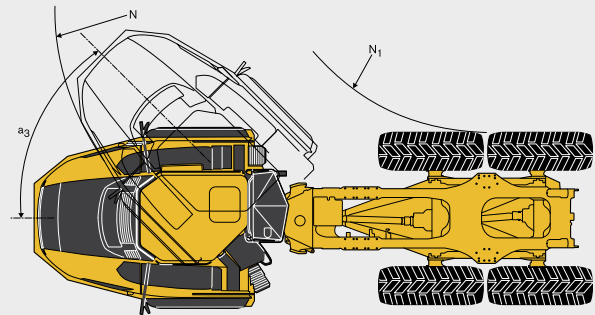
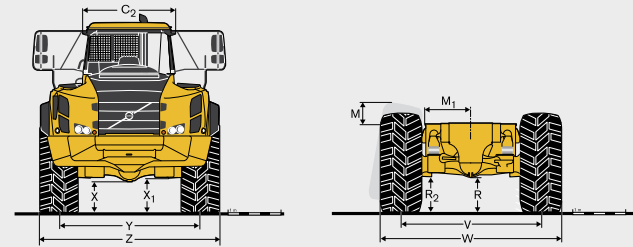
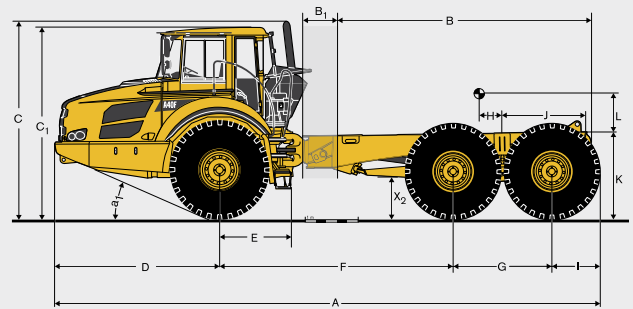
A35F with 26.5R25 tires

Total weight

	A35F	A35FFS
	HC45 Chassis Standard Chassis	HC45 Chassis Standard Chassis
	kg	kg
Chassis weight (excl. superstructure)		
Front	15 131	15 131
Rear	8 804	8 804
Total	23 935	23 935
Payload incl. superstructure	38 665	38 665
Total weight (incl. superstructure and payload)		
Front	18 700	18 700
Rear	43 900	43 900
Total	62 600	62 600

Dimensions

Pos	A40F	A40FFS
	HC45 Chassis Standard Chassis	HC45 Chassis Standard Chassis
	mm	mm
A	10 500	10 500
B	4 850	4 850
B1	4 665	4 665
C	3 768	3 768
C1	3 597	3 597
C2	1 772	1 772
D	3 101	3 101
E	1 277	1 277
F	4 518	4 518
G	1 940	1 940
H	563	563
I	445	445
J	1 465	1 465
K	1 660	1 660
L	1 045	1 045
M	441	441
M1	801	801
N	8 967	8 967
N1	4 307	4 307
R	635	635
R1	722	644
V	2 636	2 636
W	3 433	3 433
X	571	571
X1	658	671
X2	807	807
Y	2 636	2 636
Z	3 433	3 433
	°	°
a1	25	25
a3	45	45



A40F with 29.5R25 tires

Total weight

	A40F	A40FFS
	HC45 Chassis Standard Chassis	HC45 Chassis Standard Chassis
	kg	kg
Chassis weight (excl. superstructure)		
Front	15 927	15 927
Rear	9 322	9 322
Total	25 249	25 249
Payload incl. superstructure	44 551	44 551
Total weight (incl. superstructure and payload)		
Front	20 500	20 500
Rear	49 300	49 300
Total	69 800	69 800

VOLVO CONSTRUCTION EQUIPMENT

Volvo Construction Equipment is different. Our machines are designed, built and supported in a different way. That difference comes from an engineering heritage of over 175 years. A heritage of thinking first about the people who actually use the machines. About how to help them be safer, more comfortable, more productive. About the environment we all share. The result of that thinking is a growing range of machines and a global support network dedicated to helping you do more. People around the world are proud to use Volvo.

Not all products are available in all markets. Under our policy of continuous improvement, we reserve the right to change specifications and design without prior notice. The illustrations do not necessarily show the standard version of the machine.

VOLVO

Volvo Construction Equipment
www.volvoce.com

Ref. No 20028676-A
2011.10
Volvo, Global Marketing

English (Global)
ART