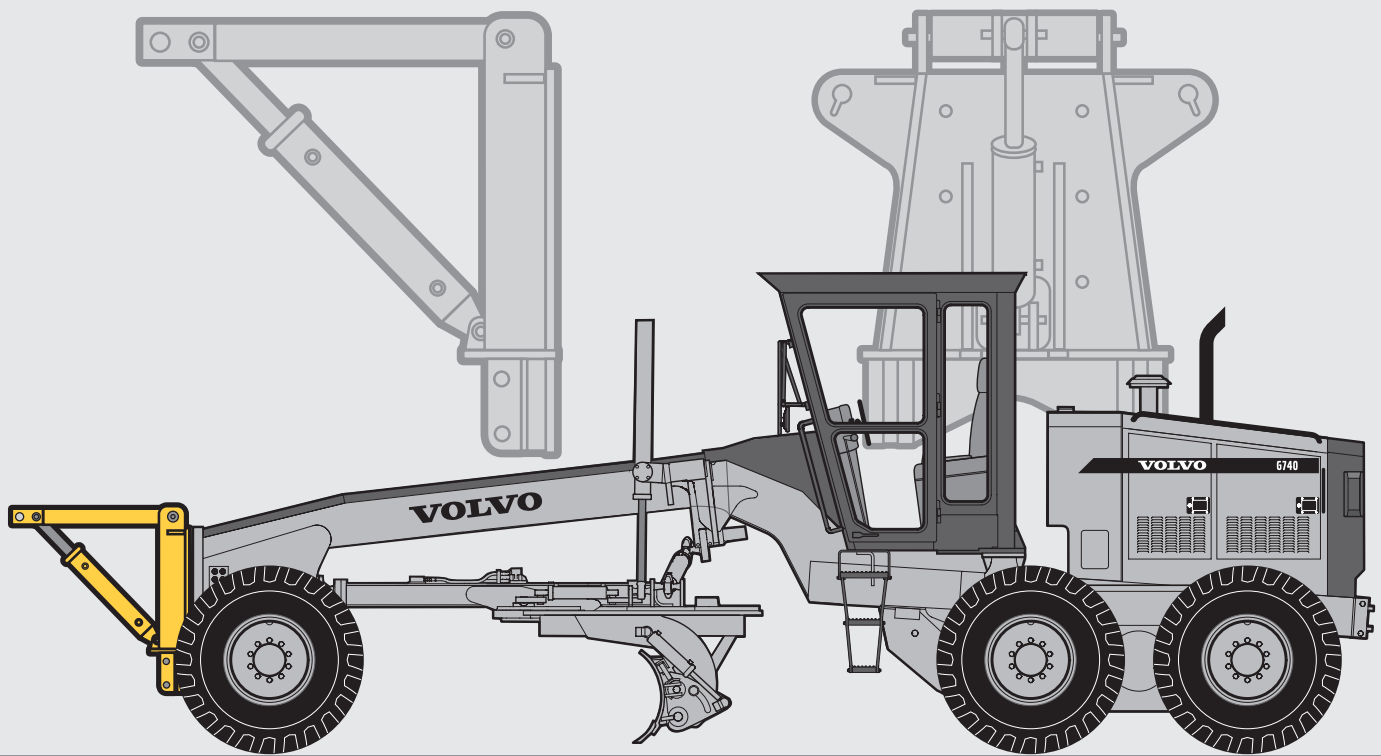


## VOLVO MOTOR GRADER

# “A” FRAME

## ATTACHMENT



The Volvo “A” Frame is the universal attaching mechanism for the following front mounted attachments:

- Dozer Blade 8' (2,4 m)
- Dozer Blade 9' (2,7 m)
- One Way Snow Plow
- “V” Snow Plow 9' (2,7 m)
- “V” Snow Plow 10' (3,0 m)

### KEY FEATURES:

- Ensures proper carry height and attack angle
- Robust design
- Integral counterbalance valve in lift circuit

# VOLVO

## MODEL V004

- Dimensions:

Weight	700 lb	(318 kg)
Overall height	42.75"	(1 086 mm)
Overall width	35.5"	(902 mm)

- Lift cylinder with integral counterbalance valve:

Diameter	4"	(102 mm)
Length of stroke	16"	(403 mm)
SAE ports	1/2"	(13 mm)

- Mounted to the nose plate with eight grade 8 bolts

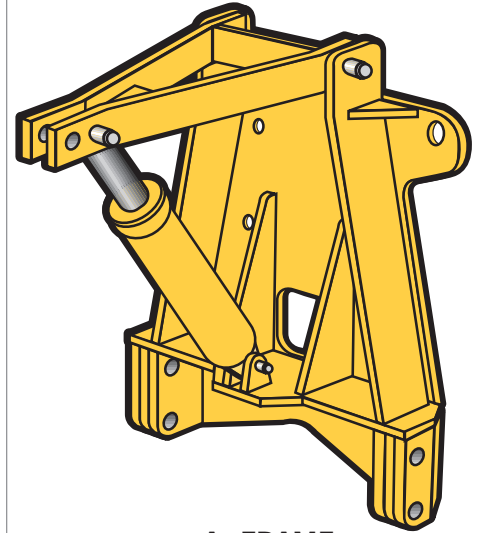
- Ground Clearance:

13:00 x 24 tires	25.25"	(642 mm)
14:00 x 24 tires	25.75"	(655 mm)
16:00 x 24 tires	27.75"	(707 mm)

- Controls: Full hydraulic control by lever on steering pedestal

- Standard paint color: Volvo Gray

- Consult your dealer for hydraulic and mounting requirements



"A" FRAME

At Volvo, we build our own line of custom designed attachments, to increase the versatility and productivity of our graders. Volvo attachments are made by grader specialists to meet the unique performance characteristics required in grader applications.

*Your safety and the safety of those around you depends on using care and judgement when operating and servicing your grader. Do not operate the grader until you read and understand the warnings and instructions in the operator's manual. Volvo Motor Graders Limited is an ISO 9001 and 14001 registered company. [www.volvo.com](http://www.volvo.com)*

*Under our policy of continuous product development and improvement, we reserve the right to change the specifications and design without prior notice. The illustrations do not necessarily show the standard versions of the attachment or the machine.*

# VOLVO

Volvo Construction Equipment Group

Ref. No. 21 2 434 1032  
Printed in Canada 1/2001- 10,0

GDR