

VOLVO BM

693





The Volvo BM 693 – a compact allround crane

Lift high, lift wide, use the fly jib – all with smooth control and precision. The Volvo BM 693 has everything necessary for efficient crane work, including compact overall dimensions, excellent off-road mobility and sophisticated crane design. The 693 gets to the site quickly and slips easily into cramped, difficult-to-reach areas, where it is ready for immediate and effective duty.

The Volvo BM 693 is in a popular size class and has a wide range of attachments for versatile, economical, modern materials handling. Two hydraulic functions on the hydraulically operated, telescopic fly jib add to the crane's versatility. It can be equipped with a grab bucket, pallet fork, culvert hook, personnel cage or log grapple. This has made the 693 a very popular service machine on building sites, at factories, for municipal work, for concrete placement, rubble removal and a variety of other duties where manoeuvrability and efficiency are important. The picture shows the 693 at work in placing concrete – a job which gives the machine an excellent opportunity to display its reach and stability.



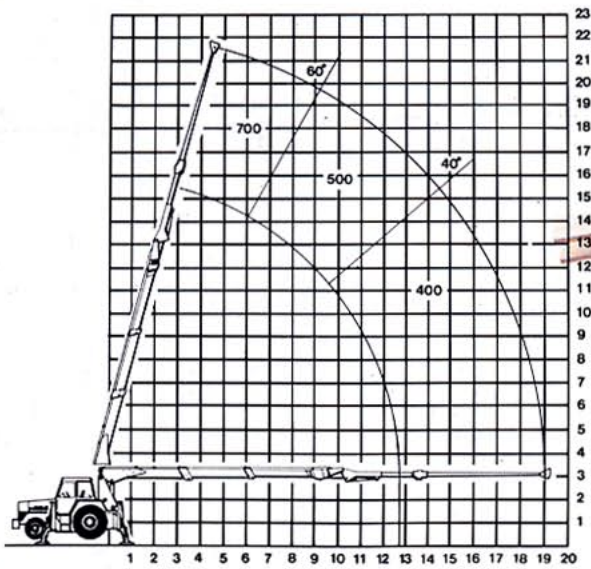
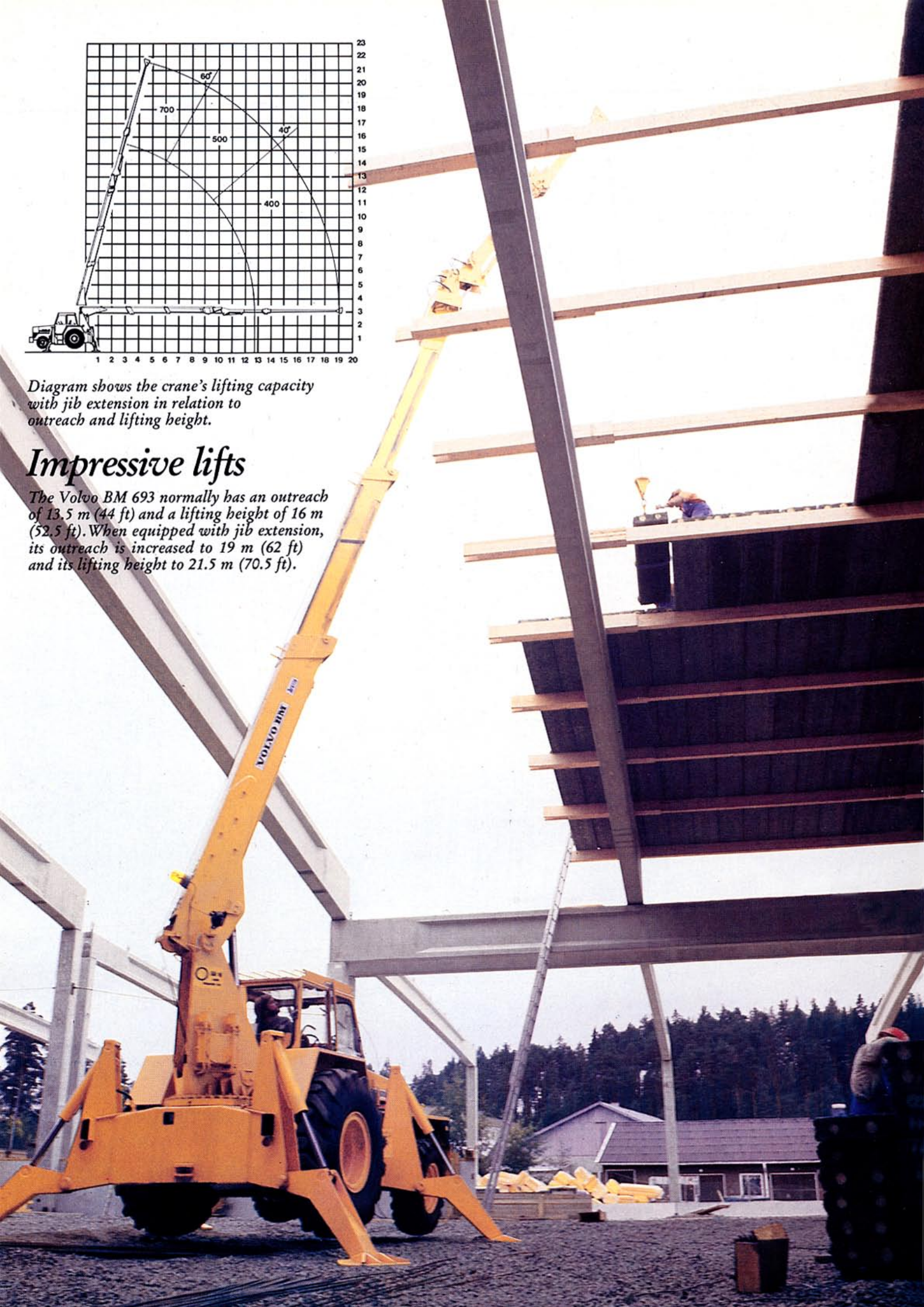


Diagram shows the crane's lifting capacity with jib extension in relation to outreach and lifting height.

Impressive lifts

The Volvo BM 693 normally has an outreach of 13.5 m (44 ft) and a lifting height of 16 m (52.5 ft). When equipped with jib extension, its outreach is increased to 19 m (62 ft) and its lifting height to 21.5 m (70.5 ft).



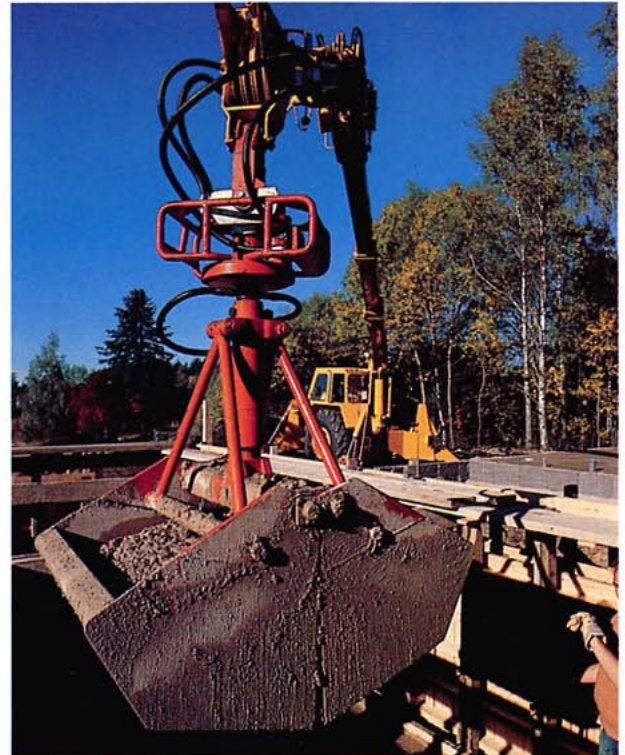
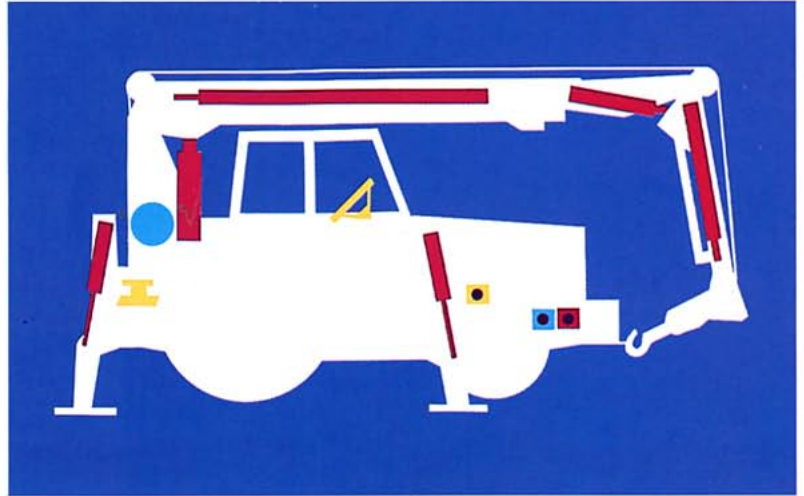
Easy to operate, easy to manoeuvre

Rugged, reliable basic construction

The crane is mounted on a very robust mobile unit. The engine is a tried-and-tested Volvo BM diesel, power being transmitted through a mechanical transmission with 8 forward and 2 reverse gears, with high and low ranges. High tractive power, large wheels plus differential lock makes the 693 an excellent off-road crane.

Jib for precision work

The 693 is completely hydraulic. To ensure completely independent operation, the slewing function, jib and winch, each have separate pumps. The crane has continuous 360° slew with a telescopic main jib and a hydraulically articulated telescopic fly jib. Its advanced design allows a wide range of applications and gives precision manoeuvring with finely controlled crane movements.



Good Visibility

The large cab windows provide a good view of the crane throughout its working range, enabling the operator to work with precision and safety.

Hydraulics at the top

The Volvo BM 693 is built to work efficiently using a variety of attachments. This has been accomplished by equipping the fly jib with an attachment bracket that has two hydraulic functions for attachment use. Electrically operated changeover valves enable the operator to alternate smoothly and easily between attachment and fly jib movements.

The sophisticated crane design and the manoeuvrability and off-road mobility of the machine enable the 693 to be used efficiently for a wide range of jobs in many different industries. Because of its wide range of attachments, the 693 mobile crane can perform those many and varied duties with good profitability.



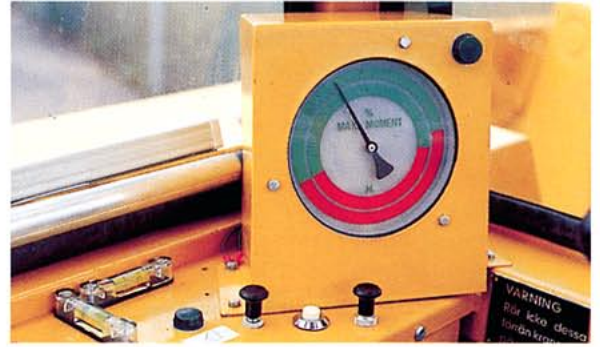
Comfortable and easy to work with

Comfortable cab

The 693 offers the very highest standards of comfort for the operator. Large doors and conveniently located handles facilitate entry/exit. This snug, spacious cab is fully weather-proofed. Extra attention has been devoted to cab suspension and insulation in order to achieve minimum noise levels. The operator's seat is comfortably sprung, adjustable fore-and-aft and has a backrest which can be adjusted to different angles. The seat can also be raised and lowered.

Easy to operate

The Volvo BM 693 is highly manoeuvrable and easy to operate. The easy-to-read and well-arranged instrumentation includes a gauge which continuously indicates how much of the crane's lifting capacity is being utilized. Short-stroke hydraulic control levers provide smooth, precise crane movements. The winch can be operated by either a lever or a footpedal.



Many uses





- 1 With an extension arm, the 693 can grab to 17 m below ground level.
- 2 The safe, roomy personnel cage positions the worker right on top of his job.
- 3 With the grab bucket, you can work accurately over large areas.
- 4 Pallet handling to high elevations.
- 5 Timber and pulpwood handling onto high stacks.
- 6 Careful and precise handling of concrete culvert sections.

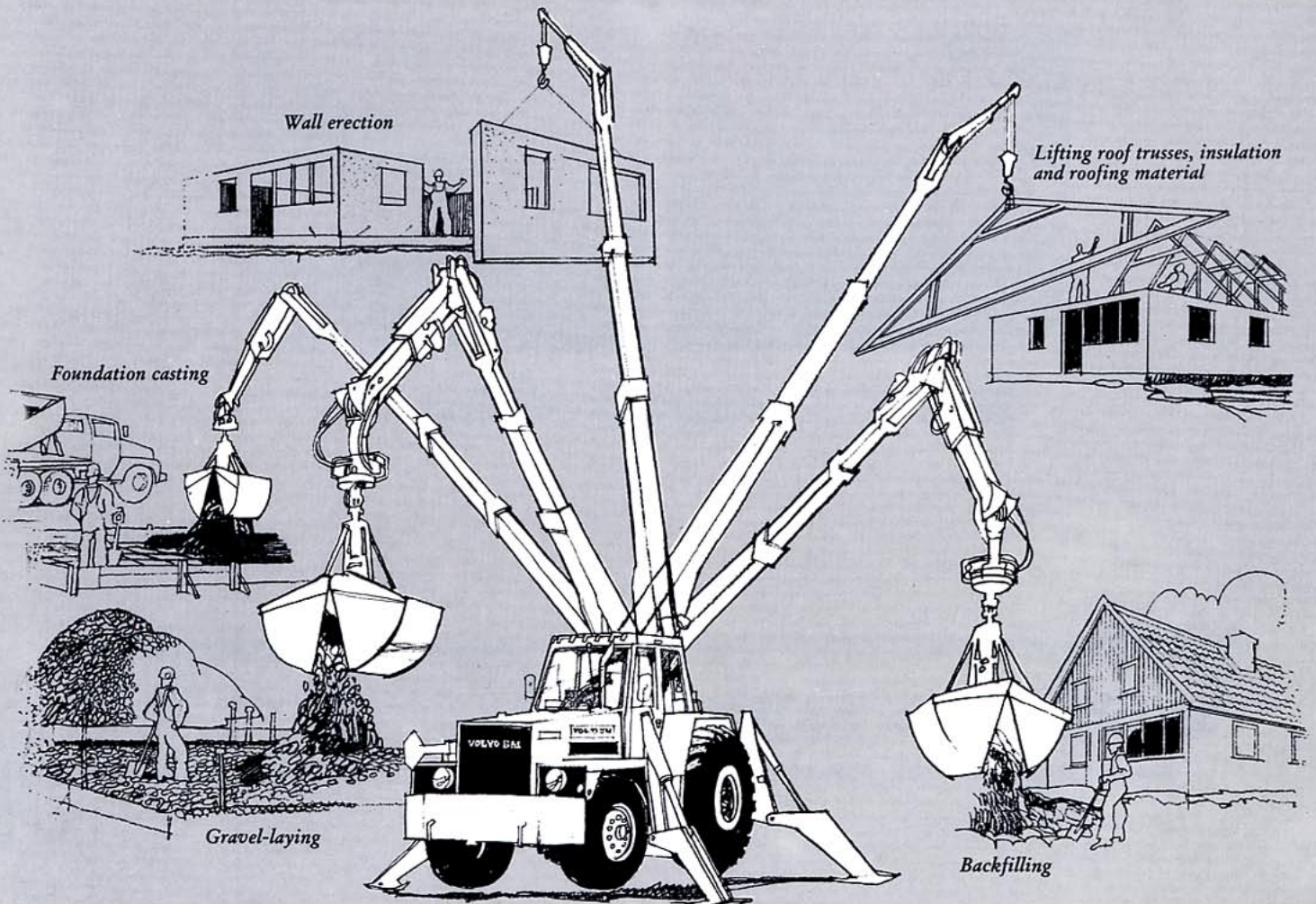
The Volvo BM 693 – jack-of-all-trades on the building site

The Volvo BM 693 is a compact and versatile off-road crane with a wide range of attachments for fast handling. It is truly the builder's allrounder. With its many capabilities, the crane can be utilized efficiently for economical construction work.

Examples of equipment options:

Fly jib extension 3.0 m (10 ft) or 5.5 m (18 ft). Sheave

block with single pulley and hook for 4 tonnes. Work platform. Extra working lights. Remote control device. Changeover valves for hydraulically operated attachments. Grab buckets with capacities of 350 l or 500 l. Polygrip bucket. Rotator for rotation of attachment. Log grapple with large grip area. Expanded concrete cutter. Limestone, sandstone or brick grapple. Extension for grapple attachments. Culvert hook. Pallet fork.





The Volvo BM 693 – a compact, manoeuvrable, highly versatile, mobile crane, with a wide range of attachments for use in modern materials handling.

VOLVO BM

VOLVO BM AB ESKILSTUNA SWEDEN

The manufacturers reserve the right to change specification or design without prior notice. Illustrations do not necessarily show the machine in its standard version.

Ref. No. 21 1 669 1405
ENGELSKA

Production group for basic printed matter, Volvo BM

509 79 Printed in Sweden/Landstroms, Leksöping 79366