

可靠承载重托

Reliability in Action

产品主要性能及零部件参数·标准配置 Main performance, parts parameters and standard configuration

项目 Item	参数 Parameter
工作重量 Working weight	16000kg
整机外形尺寸 Overall dimension	8814*2636*3400mm
发动机型号 Engine type	SC8D200G2B1
额定功率 Rated power	147kW
额定转速 Rated revolution	2300rpm
前进速度 Forward Speed	0-5.2Km/h, 0-7.9Km/h, 0-11.8Km/h, 0-17.9Km/h, 0-25Km/h, 0-38.1Km/h
后退速度 Backward Speed	0-5.2Km/h, 0-11.8Km/h, 0-25Km/h
牵引力 Traction	86.6kN
最大爬坡能力 Max. grade ability	24%
工作系统压力 Working system pressure	16MPa
前轮最大倾斜角 Max. inclination angle of the front wheel	±17°
平衡箱最大摆动角 Max. swinging angle of the balance box	±15°
前桥最大摆动角 Max. swinging angle of the front axle	±15°
铰接转向角 Steering angle of the articulated frame	±27°
最小转弯半径 Min. turning radius	7.5m
铲刀(长*弦高) Blade (Length and chord height)	3965*610mm
铲刀回旋角度 Blade rotation angle	360°
铲刀最大斜倾角 Max. inclination angle of the blade	90°
铲刀最大入地深度 Max. digging depth of the blade	500mm
轮胎规格 Tire type	17.5-25-12PR
轮胎气压 Tire pressure	0.23MPa
燃油容量 Fuel tank capacity	220L
液压油容量 Hydraulic oil tank capacity	90L

以上参数如有修改恕不通知，文中插图并不一定是该机型的标准款。  
Notice would not be given in case of any parameter change; photos herein may not be the standard type of the machine.



# LGG8200

平地机  
Grader

山东临工工程机械有限公司  
Shandong Lingong Construction Machinery Co., Ltd.

地址: 山东省临沂经济技术开发区临工工业园 Add: Lingong Industry Park, Economic Development Zone, Linyi, Shandong, P.R.C.  
电话: 0086-539-8785796 (国内) Tel: 0086-539-8785796 (for domestic)  
0086-531-66590966 (出口) 0086-531-66590966 (for export)  
传真: 0086-539-8785600-5050 (国内) Fax: 0086-539-8785600-5050 (for domestic)  
0086-531-66590959 (出口) 0086-531-66590959 (for export)  
客户服务: 0086-539-8785800 Customer Service: 0086-539-8785800



# LGG8200

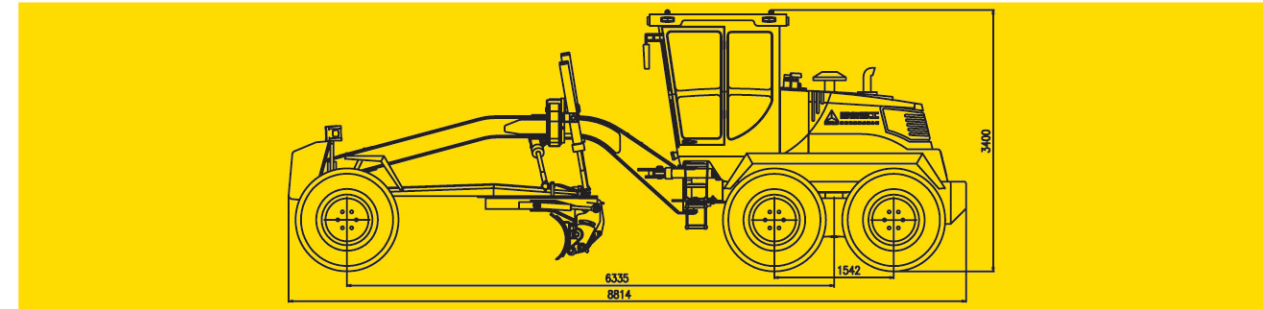
平地机  
Grader

LGG8200平地机是临工全新研发的产品。该机性能优异，造型时尚，在驱动性能、操纵性能、可靠性、维护保养和维修性能等方面都处于行业领先水平。主要用于公路、机场、农田等大面积的地面平整和开挖路基；转移土壤、碎石混合料；开边沟、刮边坡；路面平整；除雪清道等。是国防工程、矿山建设、城乡道路等建筑施工和水利建设、农田改良等必须的工程机械。

As a latest product developed by SDLG, LGG 8200 grader features preeminent performance, fashionable appearance, and advanced driving performance, operating performance, reliability and care & maintenance performance in the industry. It is mainly employed in the land leveling and roadway excavation of large areas like roads, airports, farmlands etc.; transferring of soils and crushed stones; ditching and slope scraping; pavement leveling, snow removing etc, is an indispensable engineering machinery for national defense engineering, mine construction, road construction, water conservancy project construction, farmland improvement etc.



## LGG8200 平地机 · 标准配置 LGG8200 Grader-Standard Configuration



- 对整机进行创新性设计，整机前后协调统一，过渡自然，美观大方，让人耳目一新。
  - 动力系统匹配合理、性能可靠；电液控制换挡箱，操纵轻便、灵活。
  - 液压系统采用国际品牌管接头、密封件，配置快速故障检测点。
  - 采用湿式制动系统，轻便、可靠。
  - 驾驶室噪音低，操作舒适性好，视野清晰，配置冷暖空调，并可选配防滚翻驾驶室。
  - 可选装前推土板、后松土器，满足不同工况需求。
- Overall innovative design, offering a coordinated and uniform connection, and a natural transition of the front and rear parts; bringing a pleasant and fresh new looks to the machine.
  - A power system with rational matching and reliable performance; a electro-hydraulic controlled shift box with easy and flexible operation.
  - A hydraulic system adopting pipe connectors and sealing elements from international brand, and fast fault detection points.
  - Adopting the wet brake system which is light and reliable.
  - A cab with lows voice, comfortable operation, clear and wide view, and air conditioner. The anti-roll cab is available for selection.
  - The front bulldozing plate and rear ripper are available for installation to meet the requirements of various working conditions.

### 发动机 Engine

配置二阶段上柴发动机，动力强劲、可靠、高效。

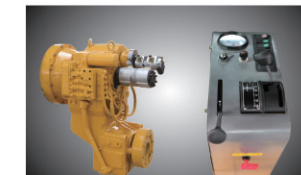
The secondary-stage diesel engine from Shanghai Diesel Engine Co., Ltd. which is powerful, reliable and efficient.



### 变速操纵系统 Shift Control System

杭齿电液控制动力换挡箱，操纵轻便、灵活。

The electro-hydraulic controlled power shift box from Hangzhou Advance Gearbox Group Co., Ltd. which is easy and flexible in operation.



### 驱动桥 Drive axle

行业专用驱动桥及平衡箱，便于维护；加强型平衡箱使整机在任何恶劣工况都能获得强大附着力。

Dedicated drive axle and balance box offering easy maintenance; enhanced balance box providing a powerful adhesive force to the machine in any harsh working conditions.



### 液压系统 Hydraulic System

配置国际品牌管接头，双密封结构，无泄漏；故障快速检测点，便于维护。

It adopts pipe connectors from international brand and double sealing structure free of leakage. The arrangement of fast fault detection points makes maintenance easy.



### 机架 Frame

中央铰接机架和偏转式转向轮，可实现整机蟹行。

It adopts the central articulated frame and front wheel with deflection-type steering which supports the crab travel of the machine.



### 作业装置 Operating Apparatus

滚盘式作业装置，免维护。

It adopts maintenance free disc-type operating apparatus.



### 机罩 Engine hood

全新设计，美观牢固。

Brand new design, with good looks and firm structure.

