

LIUGONG CONSTRUCTION MACHINERY N.A., LLC
20823 Park Row
Katy, Texas 77449 USA
T: +1 281-579-8882
F: +1 281-579-8388
info@liugongna.com



Engine	Yanmar 4TNV98-ZPLYS
Gross Power	67.3 hp (50.2 kW) @ 2,400 rpm
Net Power	64.1 hp (47.8 kW) @2,400 rpm
Operating Weight	6,500 lbs (2948 kg)
Bucket Capacity	0.52 yd ³ (0.4 m ³)
Bucket Breakout Force	4,590 lbs (2082 kg)
Rated Load	1,753 lbs (795 kg)



365A

Skid Steer Loader



BASIC DATA

Operating Weight	6500 lb (2950 kg)
Rated Load	1750 lb (795 kg)
Static Tipping Load	3500 lb (1590 kg)
Boom Breakout Force	4160 lb (1886 kg)
Bucket Breakout Force	4590 lb (2080 kg)
Traveling Speed	7.6 mph (12.3 km/h)

ENGINE

Model	Yanmar 4TNV98-ZPLYS
Type	Water-cooled, 4-stroke cycle direct injection
Rated Power	67.3 hp (50.2 kW) @2400 rpm
Net Power	64.1 hp (47.8 kW) @2400 rpm
Peak Torque	176 lbf (238N.m)
Displacement	201 in (3.3 L)
Tier Rating	Tier IV interim
Fuel Tank Capacity	21.1 gal (80 L)

ELECTRICAL

Battery	12-volt, 680CCA
Alternator	55amp
Work Lights	2 front lights & 2 rear lights

HYDRAULIC SYSTEM

Traveling Hydrostatic Pressure	4641 psi (32 MPa)		
Working Hydraulic Pressure	3000 psi (20.7 MPa)		
Standard Flow	21 gal/min (79.2 L/min)		
Optional High Flow	31.7 gal/min (120.2 L/min)		
Hydraulic Tank Capacity	9.5 gal (36 L)		
Hydraulic Cycle Time (s)			
Raise	Dump	Lower (Empty, Float Down)	Total
4.1	2.4	2.2	8.7

TIRE

Tire Size	10-16.5/ply
-----------	-------------

WORKING RANGE

Maximum Dump Height	7'4" (2225 mm)
Reach @ Maximum Dump Height	21" (540 mm)
Dump Angle @ Maximum Dump Height	40°
Rollback @ Ground Level	30°
Height to Bucket Hinge Pin @ Max. Dump Height	9'7" (2910 mm)
Ground Clearance	8" (204 mm)
Angle of Departure	26°
Front Clearance Radius	6'7" (2000 mm)

STANDARD EQUIPMENT

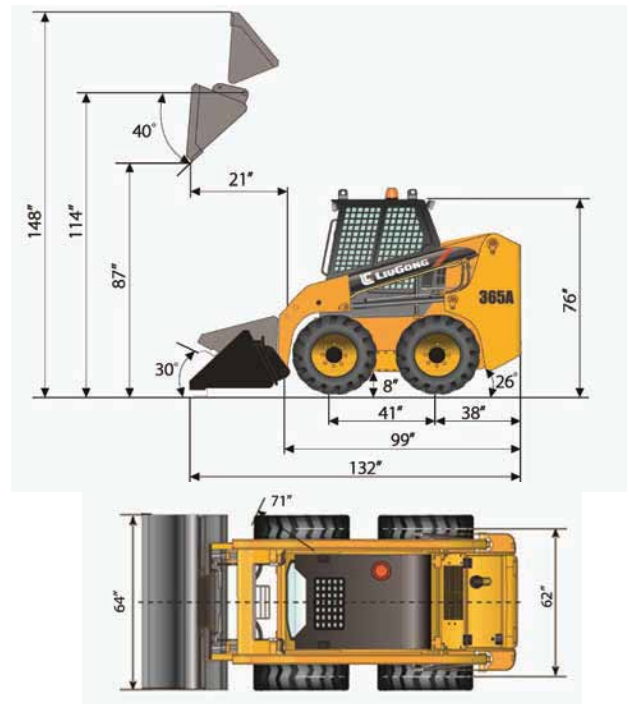
- Yanmar 4TNV98III Engine
- General Bucket 0.52yd³ (0.4 m³)
- Control Safety Interlock
- Boom Interlock
- Enclosed ROPS/FOPS Cab + Air Conditioner
- Auxiliary High Flow 31.7 gal/min (120.2 L/min)
- Alarm, Back Up
- Seat Belt
- Prefilter
- Rotary Beacon

OPTIONAL EQUIPMENT

- Open ROPS/FOPS Cab
- Solid Tire
- Extinguisher
- Tire Chains
- Flow Standard 21gal/min (79.2 L/min)

OPTIONAL ATTACHMENTS

- 4 in 1 Bucket 0.52yd³ (0.4m³)
- Rocket Bucket 0.52yd³ (0.4m³)
- Scrap Bucket 14" -25.6" (350-650 mm)
- Hydraulic Hammer
- Fork
- Lift Boom
- Auger
- Bale Spear
- Cold Planer
- Snow Blade
- Pick-up Sweeper
- Backhoe
- Hydraulic Shear



*Specifications and designs are subject to change without notice. Machines shown may include optional equipment.