

LIUGONG CONSTRUCTION MACHINERY N.A., LLC  
20823 Park Row  
Katy, Texas 77449 USA  
T: +1 281-579-8882  
F: +1 281-579-8388  
[info@liugongna.com](mailto:info@liugongna.com)



<b>Engine</b>	Yanmar 4TNV98T-ZNLYS
<b>Gross Power</b>	82.6 hp (61.6 kW) @ 2,400 rpm
<b>Net Power</b>	76.8 hp (57.3 kW) @ 2,400 rpm
<b>Operating Weight</b>	7,720 lbs (3502 kg)
<b>Bucket Capacity</b>	0.65 yd <sup>3</sup> (0.5 m <sup>3</sup> )
<b>Bucket Breakout Force</b>	5,900 lbs (2676 kg)
<b>Rated Load</b>	2,300 lbs (1043 kg)



# 385A

## Skid Steer Loader



### BASIC DATA

Operating Weight	7720 lb (3500 kg)
Rated Load	2300 lb (1045 kg)
Static Tipping Load	4600 lb (2090 kg)
Boom Breakout Force	5180 lb (2350 kg)
Bucket Breakout Force	5900 lb (2680 kg)
Traveling Speed	7.5 mph (12.1 km/h)

### ENGINE

Model	Yanmar 4TNV98T-ZPLYS
Type	Water-cooled, 4-stroke cycle direct injection
Rated Power	82.6 hp (61.6 kW) @2400 rpm
Net Power	76.8 hp (57.3 kW) @2400 rpm
Peak Torque	215.4 lbf (292.6N.m)
Displacement	201 in (3.3 L)
Tier Rating	Tier IV interim
Fuel Tank Capacity	21.1 gal (80 L)

### ELECTRICAL

Battery	12-volt, 680CCA
Alternator	55amp
Work Lights	2 front lights & 2 rear lights

### HYDRAULIC SYSTEM

Traveling Hydrostatic Pressure	4641 psi (32 MPa)		
Working Hydraulic Pressure	3000 psi (20.7 MPa)		
Standard Flow	21 gal/min (79.2 L/min)		
Optional High Flow	31.7 gal/min( 120.2 L/min)		
Hydraulic Tank Capacity	10.6 gal (40 L)		
Hydraulic Cycle Time (s)			
Raise	Dump	Lower (Empty, Float Down)	Total
4.1	2.1	2.2	8.4

### TIRE

Tire Size	12-16.5/ply
-----------	-------------

### WORKING RANGE

Maximum Dump Height	8' (2425 mm)
Reach @ Maximum Dump Height	22" (560 mm)
Dump Angle @ Maximum Dump Height	39°
Rollback @ Ground Level	30°
Height to Bucket Hinge Pin @ Max. Dump Height	10'2" (3105 mm)
Ground Clearance	8.3" (210 mm)
Angle of Departure	27°
Front Clearance Radius	6'11" (2100 mm)

### STANDARD EQUIPMENT

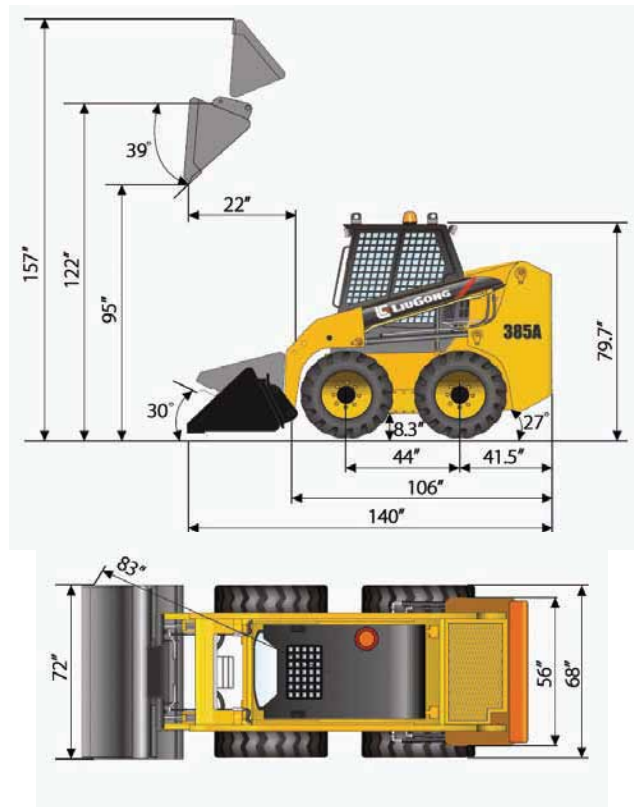
- Yanmar 4TNV98T Engine
- General Bucket 0.65yd<sup>3</sup>(0.5 m<sup>3</sup>)
- Control Safety Interlock
- Boom Interlock
- Enclosed ROPS/FOPS Cab + Air Conditioner
- Auxiliary High Flow 31.7 gal/min (120.2 L/min)
- Alarm, Back Up
- Seat Belt
- Prefilter
- Rotary Beacon

### OPTIONAL EQUIPMENT

- Open ROPS/FOPS Cab
- Solid Tire
- Extinguisher
- Tire Chains
- Flow Standard 21gal/min (79.2 L/min)

### OPTIONAL ATTACHMENTS

- 4 in 1 Bucket 0.52yd<sup>3</sup>(0.4m<sup>3</sup>)
- Rocket Bucket 0.52yd<sup>3</sup>(0.4m<sup>3</sup>)
- Scrap Bucket 14"-25.6" (350-650 mm)
- Hydraulic Hammer
- Fork
- Lift Boom
- Auger
- Bale Spear
- Cold Planer
- Snow Blade
- Pick-up Sweeper
- Backhoe
- Hydraulic Shear



\*Specifications and designs are subject to change without notice. Machines shown may include optional equipment.