



816 Wheel Loader



Engine	Yituo
Gross Power	51 kW (69 hp) @ 2,400 rpm
Net Power	47 kW (64 hp) @ 2,400 rpm
Operating Weight	5,300 kg
Standard Bucket Size	0.78 m ³
Standard Breakout Force	60 kN
Standard Dump Clearance	2,417 mm

816 Wheel Loader



ENGINE

Emission Regulation	Tier 2 / Stage II
Make	YT4A2 - 24
Gross Power	51 kW (69 hp) @ 2,400 rpm
Net Power	47 kW (64 hp) @ 2,400 rpm
Peak Torque	224 N · m @ 1,600 rpm
Torque Rise %	25.3 %
Number of Cylinders	4
Aspiration	natural

TRANSMISSION

Transmission Type	Counter shaft-type power shift
Torque Converter	3 element - single stage, single phase
Maximum Travel Speed, fwd	25 km/h
Maximum Travel Speed, rev	25 km/h
Number of Speeds, fwd	2
Number of Speeds, rev	2

AXLES

Differential Front Type	conventional
Differential Rear Type	conventional
Axle Oscillation	11 °

STEERING

Steering Configuration	articulated
Steering Relief Pressure	14 MPa

BRAKES

Service Brake Type	caliper dry disc
Service Brake Actuation	hydraulic
Parking Brake Type	shoe / drum
Parking Brake Actuation	mechanical

HYDRAULIC SYSTEM

Main Pump Type	gear
Main Relief Pressure	18 MPa
Raise	4.4 s
Dump Time	1.2 s
Float Down Time	3.0 s
Fastest Total Cycle Time	8.60 s

LOADER ARM PERFORMANCE

Tipping Load - Straight	4,181 kg
Tipping Load - Full Turn	3,673 kg
Bucket Breakout Force	60 kN
Maximum Dump Angle at Full Height	45 ± 1 °
Dump Clearance at Full Height Discharge	2,417 mm
Dump Reach at Full Height Discharge	888 mm
Maximum Hinge Pin Height	3,049 mm
Maximum Digging Depth, Bucket Level	16.5 mm
Bucket Rollback at Ground Level	43 °
Bucket Rollback at Carry	52 °
Bucket Rollback at Maximum Height	64 °

BUCKET PERFORMANCE

Reference Bucket	0.78 m ³
------------------	---------------------

DIMENSIONS

Length with Bucket Down	5,516 mm
Width Over Tires	1,940 mm
Wheelbase	2,235 mm
Wheel Tread	1,530 mm
Ground Clearance	285 mm
Turn Angle, Either Side	38 °
Rear Angle of Departure	30 °
Turning Radius, Outside of Tire	4,370 mm
Turning Radius, Center of Tire	4,134 mm
Turning Radius, Bucket Carry	4,716 mm

TIRES

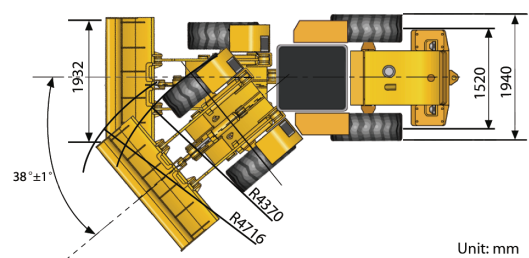
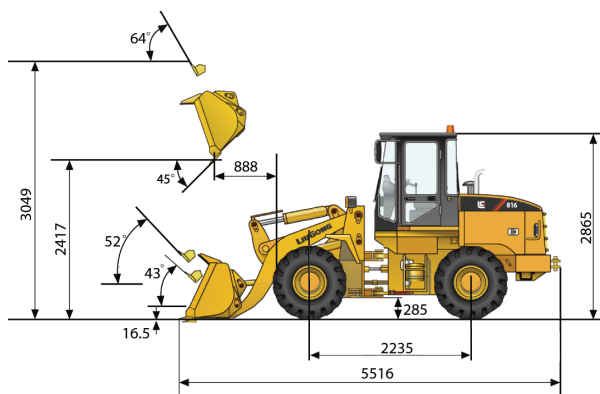
Tire Size	16 / 70 - 20
-----------	--------------

OPERATING WEIGHTS

Operating Weight	5,300 kg
------------------	----------

SERVICE CAPACITIES

Fuel Tank	95 L
Engine Oil	16 L
Cooling System	27 L
Hydraulic Reservoir	78 L
Transmission and Torque Converter	20 L
Axles, each	8 L



Unit: mm

Guangxi Liugong Machinery Co., Ltd.

No. 1 Liutai Road, Liuzhou, Guangxi 545007, PR China

T: +86 772 388 6124 E: overseas@liugong.com

www.liugong.com

09/2012 Designed by LiuGong

Specifications and designs are subject to change without notice. Machines shown may include optional equipment.