

LIUGONG CONSTRUCTION MACHINERY N.A., LLC  
20823 Park Row  
Katy, Texas 77449 USA  
T: +1 281-579-8882  
F: +1 281-579-8388  
[info@liugongna.com](mailto:info@liugongna.com)



<b>Engine</b>	Yanmar 4TNV98-ZPLYS
<b>Gross Power</b>	67.3 hp (50.2 kW) @ 2,400 rpm
<b>Net Power</b>	64.1 hp (47.8 kW) @ 2,400 rpm
<b>Operating Weight</b>	12,340 lbs (5597 kg)
<b>Standard Bucket Size</b>	1 yd <sup>3</sup> (0.76 m <sup>3</sup> )
<b>Standard Bucket Breakout Force</b>	12,544 lbs (5690 kg)
<b>Standard Dump Height</b>	120" (3048 mm)

# 816G

## Wheel Loader



### ENGINE

Tier	Tier IV interim
Make & Model	Yanmar 4 TNV 98 -ZPLYS
Gross power	67.3 hp (50.2 kW) @ 2,400 rpm
Peak torque	176 ft-lbs (238 N.m)
Number of cylinders	4
Displacement	201 in3 (3.3 L)
Cooling type	Water

### ELECTRICAL SYSTEM

System voltage	12
----------------	----

### TRANSMISSION

Type	counter shaft-type power shift
Converter	single phase, three elements
Rear axle swing	± 11°
Max travel speed, fwd	15 mph (24 km/h)
Max travel speed, rev	15 mph (24 km/h)

### HYDRAULIC SYSTEM

System working pressure	2,610 psi (125 kPa)
Working pump	23 gal/m (87 L/min)
Raise time	4.4 sec
Dump time	1.2 sec
Float down time	3 sec
Fastest total cycle time	8.6 sec

### BRAKES

Service brake	caliper dry-discs hydraulic actuated all wheels
Parking brake	shoe-brake
Emergency brake	Mechanical hand lever control
Power cut-off	electricity controlled handle power

### STEERING HYDRAULIC SYSTEM

Type	Articulated frame. Full hydraulic steering	
Steering angle (left and right respectively)	38°	
System flow	8 gal/m (30 L/min)	
Relief valve setting	2,030 psi (97 kPa)	

### LOADER ARM PERFORMANCE

Rated load	3,527 lbs (1,600 kg)
Breakout force	12,544 lbs (5690 kg)
Tipping load	8,768 lbs (3977 kg)
Tipping load (Full turn 38°)	7,419 lbs (3365 kg)

### BUCKET PERFORMANCE

Standard bucket heaped capacity ISO (referenced)	1 yd (0.76 m <sup>3</sup> )
--	-----------------------------

### OPERATING WEIGHTS

Operating Weight	12,340 lbs (5600 kg)
------------------	----------------------

### DIMENSIONS

Transport length	215" (5461 mm)
Transport width	77" (1956 mm)
Length with bucket down	215" (5461 mm)
Width over tires	76" (1930 mm)
Height to top of ROPS	112" (2845 mm)
Wheelbase	83" (2108 mm)
Rear angle of departure	29°
Ground clearance	11" (279 mm)

### TIRES

Type	10 level nylon bias ply tire
Tire size	16 / 70-20

### SERVICE CAPACITIES

Fuel tank	26.4 gal (100 L)
Cooling system	3.7 gal (14 L)
Transmission system	5.3 gal (20 L)
Front axle	2.1 gal (8 L)
Rear axle	2.1 gal (8 L)
Hydraulic system	19.8 gal (75 L)

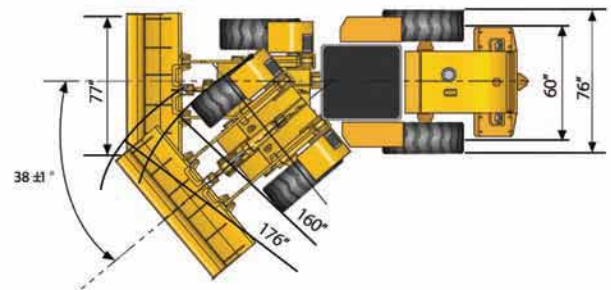
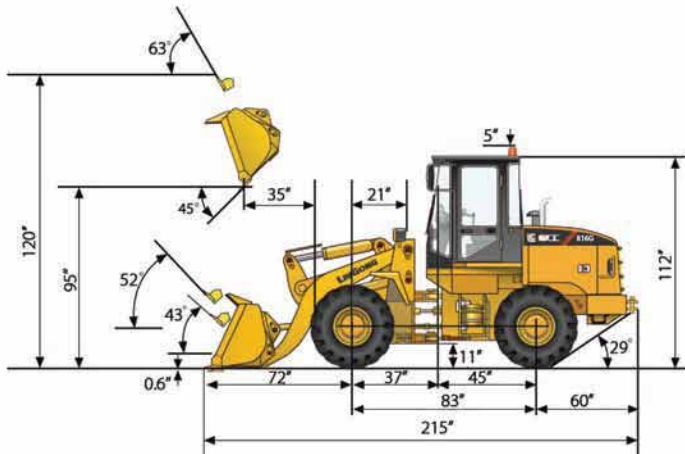
### STANDARD EQUIPMENT

Yanmar 4TNV98-ZPLYS	Rotary Beacon
FOPS/ROPS Cab, w/ A/C	Quick Coupler
Power shift transmission	Emergency Brake
Tire 16/70-20	Bucket 1yd <sup>3</sup> (0.8m <sup>3</sup> )

- Alarm, back up
- Full adjustable seat, Seat belt
- Radio
- Batteries, maintenance free
- Boom interlock

### OPTIONAL EQUIPMENT

- Warmer
- Quick pallet fork / Grapple forks
- Bucket 1.3yd<sup>3</sup> (1.0 m<sup>3</sup>)



\*Specifications and designs are subject to change without notice. Machines shown may include optional equipment.