



856 Wheel Loader



Engine	DCEC
Gross Power	160kW (215 hp) @ 2,200 rpm
Net Power	144 kW (193 hp) @ 2,200 rpm
Operating Weight	16,800 kg
Standard Bucket Size	3 m ³
Standard Breakout Force	165 kN
Standard Dump Clearance	3,100 mm

856 Wheel Loader



ENGINE

Emission Regulation	Tier 1 / Stage I
Make	DCEC
Gross Power	160 kW (215 hp) @ 2,200 rpm
Net Power	144 kW (193 hp) @ 2,200 rpm
Peak Torque	908 N · m @ 1,500 rpm
Displacement	8.3 L
Number of Cylinders	6
Aspiration	turbo water - to - air aftercooled

TRANSMISSION

Transmission Type	planetary power shift
Torque Converter	double - stage, four - element
Maximum Travel Speed, fwd	37 km/h
Maximum Travel Speed, rev	23 km/h
Number of Speeds, fwd	4
Number of Speeds, rev	3

AXLES

Differential Front Type	conventional
Differential Rear Type	conventional
Axle Oscillation	±14°

STEERING

Steering Configuration	articulated
Steering Relief Pressure	16 MPa

BRAKES

Service Brake Type	caliper disc
Service Brake Actuation	air over hydraulic
Parking Brake Type	manual pneumatic control
Parking Brake Actuation	spring apply; hydraulic release

HYDRAULIC SYSTEM

Main Pump Type	gear
Main Relief Pressure	20 MPa
Raise	6.5 s
Dump Time	1.5 s
Float Down Time	3.5 s
Fastest Total Cycle Time	11.5 s

LOADER ARM PERFORMANCE

Tipping Load - Straight	13,200 kg
Tipping Load - Full Turn	11,750 kg
Bucket Breakout Force	158 kN
Maximum Dump Angle at Full Height	45°
Dump Clearance at Full Height Discharge	3,100 mm
Dump Reach at Full Height Discharge	1,035 mm
Maximum Hinge Pin Height	4,154 mm
Maximum Digging Depth, Bucket Level	60 mm
Bucket Rollback at Ground Level	45°
Bucket Rollback at Carry	50°
Bucket Rollback at Maximum Height	61°

BUCKET PERFORMANCE

Reference Bucket	3 m ³
------------------	------------------

DIMENSIONS

Length with Bucket Down	8,060 mm
Width Over Tires	2,750 mm
Wheelbase	3,250 mm
Wheel Tread	2,150 mm
Ground Clearance	431 mm
Turn Angle, Either Side	38°
Rear Angle of Departure	30°
Turning Radius, Outside of Tire	6,232 mm
Turning Radius, Center of Tire	5,795 mm
Turning Radius, Bucket Carry	6,913 mm

TIRES

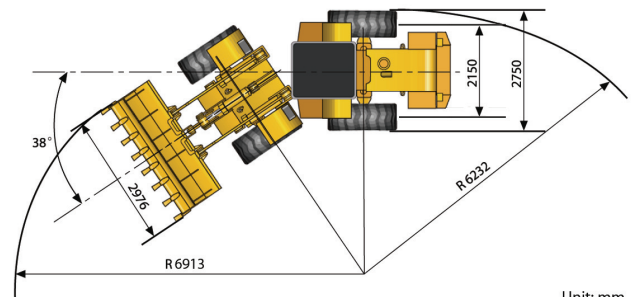
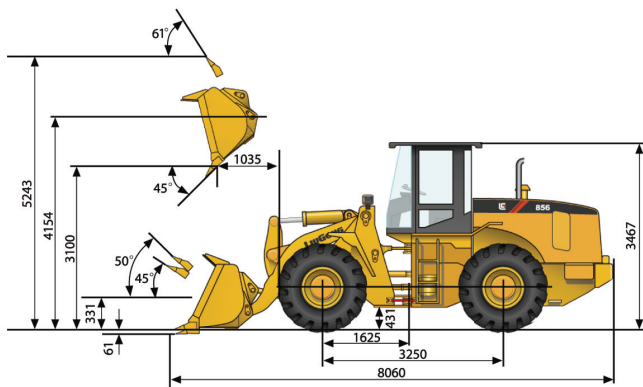
Tire Size	23.5 - 25
-----------	-----------

OPERATING WEIGHTS

Operating Weight	16,800 kg
------------------	-----------

SERVICE CAPACITIES

Fuel Tank	280 L
Engine Oil	22 L
Cooling System	45 L
Hydraulic Reservoir	210 L
Transmission and Torque Converter	45 L
Axles, each	34 L



Unit: mm

Guangxi Liugong Machinery Co., Ltd.

No. 1 Liutai Road, Liuzhou, Guangxi 545007, PR China

T: +86 772 388 6124 E: overseas@liugong.com

www.liugong.com

09/2012 Designed by LiuGong

Specifications and designs are subject to change without notice. Machines shown may include optional equipment.