



# 856 Wheel Loader



<b>Engine</b>	DCEC
<b>Gross Power</b>	164 kW (220 hp) @ 2,200 rpm
<b>Net Power</b>	147.6 kW (198 hp) @ 2,200 rpm
<b>Operating Weight</b>	17,100 kg
<b>Standard Bucket Size</b>	3 m <sup>3</sup>
<b>Standard Breakout Force</b>	158 kN
<b>Standard Dump Clearance</b>	2,984 mm

# 856 Wheel Loader



## ENGINE

Emission Regulation	Tier 2 / Stage II
Make	DCEC
Gross Power	164 kW (220 hp) @ 2,200 rpm
Net Power	147.6 kW (198 hp) @ 2,200 rpm
Peak Torque	950 N·m @ 1,400 rpm
Displacement	8.9 L
Number of Cylinders	6
Aspiration	turbo air-to-air aftercooled

## TRANSMISSION

Transmission Type	countershaft power shift
Torque Converter	single-stage, three-element
Maximum Travel Speed, fwd	37 km/h
Maximum Travel Speed, rev	23 km/h
Number of Speeds, fwd	4
Number of Speeds, rev	3

## AXLES

Differential Front Type	conventional
Differential Rear Type	conventional
Axle Oscillation	±11°

## STEERING

Steering Configuration	articulated
Steering Relief Pressure	16 MPa

## BRAKES

Service Brake Type	caliper dry disc
Service Brake Actuation	air over hydraulic
Parking Brake Type	auto and manual electronic controlled
Parking Brake Actuation	spring apply; hydraulic release

## HYDRAULIC SYSTEM

Main Pump Type	gear
Main Relief Pressure	20 MPa
Raise	6.0 s
Dump Time	1.5 s
Float Down Time	3.0 s
Fastest Total Cycle Time	10.5 s

## LOADER ARM PERFORMANCE

Tipping Load - Straight	13,200 kg
Tipping Load - Full Turn	11,750 kg
Bucket Breakout Force	158 kN
Maximum Dump Angle at Full Height	45°
Dump Clearance at Full Height Discharge	3,100 mm
Dump Reach at Full Height Discharge	1,050 mm
Maximum Hinge Pin Height	4,150 mm
Maximum Digging Depth, Bucket Level	54 mm
Bucket Rollback at Ground Level	45°
Bucket Rollback at Carry	49°
Bucket Rollback at Maximum Height	60°

## BUCKET PERFORMANCE

Reference Bucket	3 m <sup>3</sup>
------------------	------------------

## DIMENSIONS

Length with Bucket Down	8,150 mm
Width Over Tires	2,750 mm
Wheelbase	3,250 mm
Wheel Tread	2,150 mm
Ground Clearance	431 mm
Turn Angle, Either Side	38°
Rear Angle of Departure	28°
Turning Radius, Outside of Tire	6,232 mm
Turning Radius, Center of Tire	5,795 mm
Turning Radius, Bucket Carry	6,913 mm

## TIRES

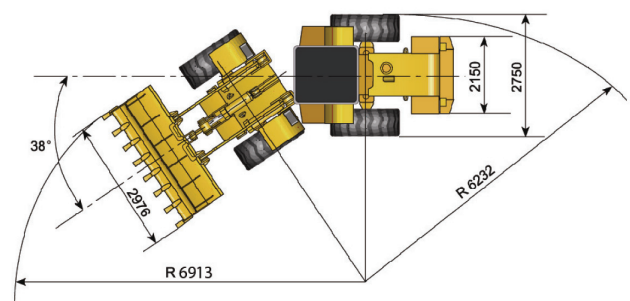
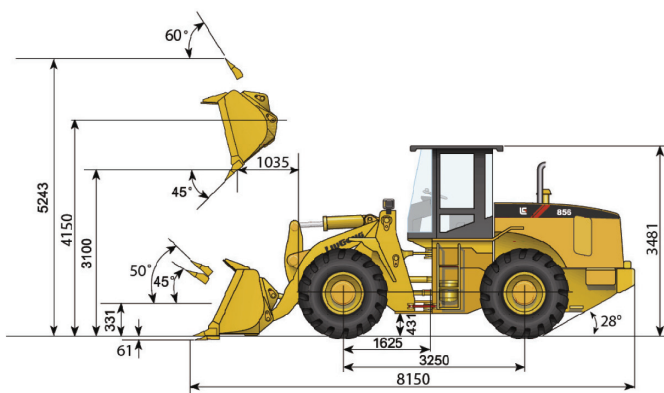
Tire Size	23.5 - 25
-----------	-----------

## OPERATING WEIGHTS

Operating Weight	17,100 kg
------------------	-----------

## SERVICE CAPACITIES

Fuel Tank	320 L
Engine Oil	30 L
Cooling System	58 L
Hydraulic Reservoir	210 L
Transmission and Torque Converter	45 L
Axles, each	34 L



**Guangxi Liugong Machinery Co., Ltd.**

No. 1 Liutai Road, Liuzhou, Guangxi 545007, PR China

T: +86 772 388 6124 E: overseas@liugong.com

[www.liugong.com](http://www.liugong.com)

09/2012 Designed by LiuGong

*Specifications and designs are subject to change without notice. Machines shown may include optional equipment.*