



862 Wheel Loader



Engine	DCEC
Gross Power	179 kW (240 hp) @ 2,200 rpm
Net Power	165 kW (221 hp) @ 2200 rpm
Operating Weight	19,200 kg
Standard Bucket Size	3.5 m ³
Standard Breakout Force	198 kN
Standard Dump Clearance	3,200 mm

862 Wheel Loader



ENGINE

Emission Regulation	Tier 1 / Stage I
Make	DCEC
Gross Power	179 kW (240 hp) @ 2,200 rpm
Net Power	165 kW (221 hp) @ 2,200 rpm
Peak Torque	1,028 N · m @ 1,500 rpm
Displacement	8.3 L
Number of Cylinders	6
Aspiration	turbocharged

TRANSMISSION

Transmission Type	countershaft power shift
Torque Converter	single - stage, three - element
Maximum Travel Speed, fwd	36 km/h
Maximum Travel Speed, rev	23 km/h
Number of Speeds, fwd	4
Number of Speeds, rev	3

AXLES

Differential Front Type	limited slip
Differential Rear Type	limited slip
Axle Oscillation	±12°

STEERING

Steering Configuration	articulated
Steering Relief Pressure	17.5 MPa

BRAKES

Service Brake Type	wet multi disc
Service Brake Actuation	hydraulic
Parking Brake Type	auto and manual electronic controlled
Parking Brake Actuation	Spring apply; hydraulic release

HYDRAULIC SYSTEM

Main Pump Type	gear
Main Relief Pressure	20.7 MPa
Raise	6.5 s
Dump	1.5 s
Float Down Time	3.5 s
Fastest Total Cycle Time	11.5 s

LOADER ARM PERFORMANCE

Tipping Load - Straight	13,367 kg
Tipping Load - Full Turn	11,633 kg
Bucket Breakout Force	198 kN
Maximum Dump Angle at Full Height	45°
Dump Clearance at Full Height Discharge	3,200 mm
Dump Reach at Full Height Discharge	1,200 mm
Maximum Hinge Pin Height	4,256 mm
Maximum Digging Depth, Bucket Level	97 mm
Bucket Rollback at Ground Level	44°
Bucket Rollback at Carry	49°
Bucket Rollback at Maximum Height	62°

BUCKET PERFORMANCE

Reference Bucket	3.5 m ³
------------------	--------------------

DIMENSIONS

Length with Bucket Down	8,480 mm
Width Over Tires	2,800 mm
Wheelbase	3,350 mm
Wheel Tread	2,200 mm
Ground Clearance	430 mm
Turn Angle, Either Side	38°
Rear Angle of Departure	30°
Turning Radius, Outside of Tire	6,590 mm
Turning Radius, Center of Tire	6,290 mm
Turning Radius, Bucket Carry	6,995 mm

TIRES

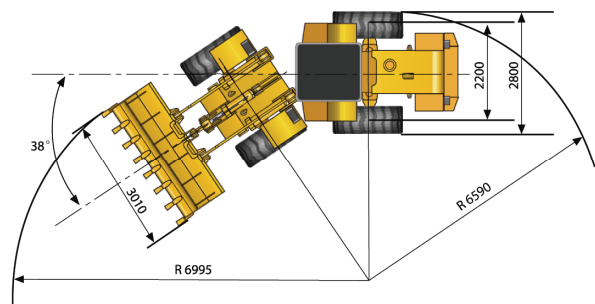
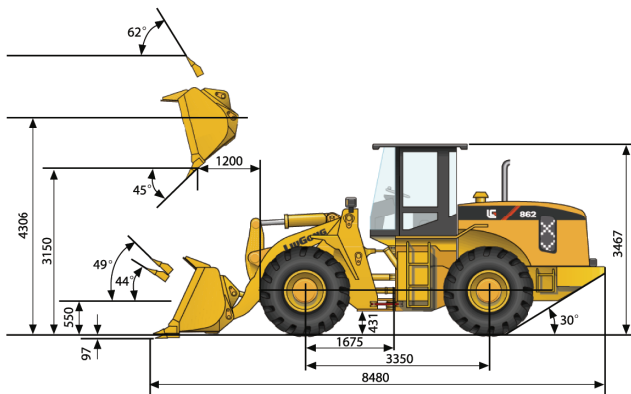
Tire Size	23.5 - 25
-----------	-----------

OPERATING WEIGHTS

Operating Weight	19,200 kg
------------------	-----------

SERVICE CAPACITIES

Fuel Tank	320 L
Engine Oil	22 L
Cooling System	45 L
Hydraulic Reservoir	210 L
Transmission and Torque Converter	45 L
Axles, each	45 L



Unit: mm

Guangxi Liugong Machinery Co., Ltd.

No. 1 Liutai Road, Liuzhou, Guangxi 545007, PR China
 T: +86 772 388 6124 E: overseas@liugong.com
www.liugong.com

09/2012 Designed by LiuGong

Specifications and designs are subject to change without notice. Machines shown may include optional equipment.