



CLG908C Excavator



Engine	Yanmar
Gross Power	56.6 kW (77 hp) @ 2,200 rpm
Net Power	54.3 kW (54.3 hp) @ 2,200 rpm
Maximum Digging Depth	4,150 mm
Standard Bucket Capacity	0.32 m ³
Operating Weight	7,700 kg

CLG908C Excavator



ENGINE

Emission Regulation	Tier 3 / Stage IIIA
Make	Yanmar
Gross Power	56.6 kW (77 hp) @ 2,200 rpm
Net Power	54.3 kW (73.8 hp) @ 2,200 rpm
Peak Torque	301 N · m @ 1,650 rpm
Number of Cylinders	4
Displacement	3.3 L

TRACK DRIVE

Maximum Travel Speed	4.2 km/h
Gradeability	70 %
Drawbar Pull	55.46 kN

UNDERCARRIAGE

Shoe Width	450 mm
Number of Shoes per Side	39
Number of Bottom Rollers per Side	6
Number of Upper Rollers per Side	1

HYDRAULIC SYSTEM

Main Pumps Total Flow	170 L/min
Relief Pressure, main	27.4 MPa
Pilot Pump Flow	21.8 L/min

SWING SYSTEM

Swing Speed	10 rpm
-------------	--------

REFERENCE ARM

Arm Length	1,650 mm
Arm Breakout Force, normal, ISO	40.1 kN

WORKING RANGES

Maximum Dig Depth	4,150 mm
Reach at Ground Level	6,225 mm
Depth of 8' Level Bottom	3,785 mm
Maximum Dig Height	7,150 mm
Dump Height	5,080 mm
Maximum Dig Depth of Vertical Wall	3,230 mm

BUCKET PERFORMANCE

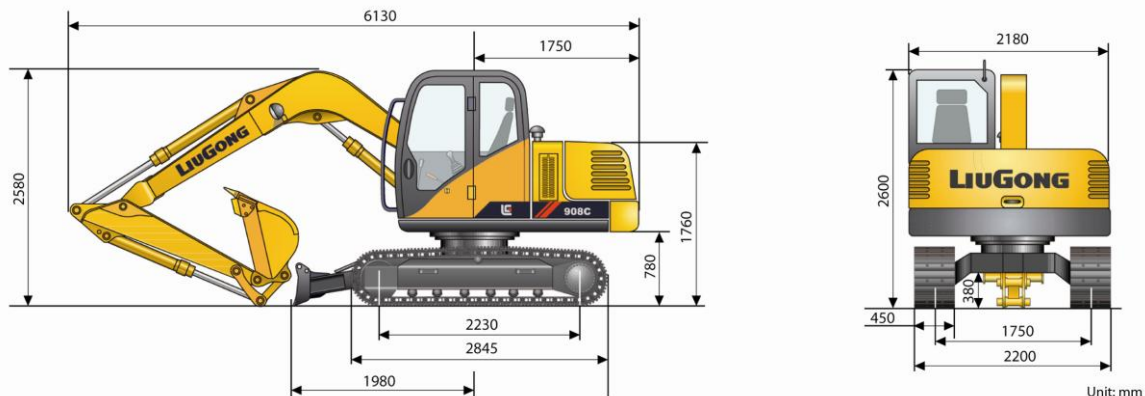
Standard Bucket Heaped Capacity (Referenced)	0.32 m ³
Minimum Heaped Capacity of Bucket Options	0.18 m ³
Maximum Heaped Capacity of Bucket Options	0.36 m ³
Bucket Breakout Force, normal, ISO	61 kN

SERVICE CAPACITIES

Fuel Tank	135 L
Engine Oil	7 L
Cooling System	15 L
Hydraulic Reservoir	60 L
Hydraulic System Total	110 L

Lift Point Height		Bucket: SAE 0.32 m ³ Boom: 3,710 mm Arm: 1,650 mm Shoes: 450 mm							
		2 m		3 m		4 m		5 m	
5 m	kg			※1,471	※1,471				
4 m	Kg			※1,590	※1,590	※1,545	※1,545		
3 m	kg	※2,635	※2,635	※1,995	※1,995	※1,713	1,577		
2 m	kg	※4,320	※4,320	※2,575	2,329	※1,972	1,493	※1,583	1,087
1 m	kg	※5,188	※4,148	※3,070	2,169	※2,221	1,413	※1,685	1,048
0	kg	※5,091	4,094	※3,285	2,081	※2,367	1,357	※1,796	1,006
-1 m	kg	※4,737	4,096	※3,221	2,052	※2,349	1,332	※1,852	976
-2 m	kg	※4,099	※4,099	※2,879	2,067	※2,081	1,344		

1. ※ Indicates the load is limited by hydraulic capacity rather than tipping capacity.
 2. The above rated loads are in compliance with ISO 10567 hydraulic excavator lift capacity rating standard. They do not exceed 87% of hydraulic lifting capacity or 75% tipping load.
 3. Ratings at bucket lift hook.



Liugong Machinery Australia Pty Ltd.

7 Rachael Close, Silverwater, NSW 2128, Australia

T: +61 2 9748 1200

E: liugong@liugongaustralia.com

www.liugongaustralia.com

Specifications and designs are subject to change without notice. Machines shown may include optional equipment.