

2 4 7 - 3 3 5 N E T H O R S E P O W E R



JOHN DEERE

J

WASTE HANDLERS

950J | 1050J



Purpose built.

950J

247 net hp

9.4- or 21.8 cu.-yd. blade

58,462-lb. typical operating weight



When Deere engineers set out to design the ultimate waste handlers, they couldn't have picked better platforms. With their full-featured hydrostatic drivetrains, the 950J and 1050J Waste Handlers deliver automatic power management, infinite ground speeds, power turns, and all kinds of hydrostatically driven productivity advantages.

But power and nimble performance are just the beginning of the John Deere story. To make them the best possible landfill dozers, Deere engineers went right to the source — solid waste managers — to think through the solutions a purpose-built waste handler can provide. To see how we applied what we learned, turn the page.

1050J

335 net hp

11.6-, 15.3-, 25.8-, or 32.8 cu.-yd. blades

80,967-lb. typical operating weight



Rugged and reliable J-Series are powerful performers, designed and purpose-built with extensive input from solid-waste professionals like you.

John Deere's full-featured hydrostatic drivetrains deliver production-boosting advantages you don't get with other crawlers.

Cooling system enhancements such as wide-fin cooler cores and hydraulic fans with automatic reversers help beat the heat, for maximum uptime and productivity.

Available rear counterweight "doghouse" provides convenient storage and is an ideal location for fire-suppression system components.



Five-fin-per-inch engine and charge-air coolers let dust and debris easily pass through the cores. For more efficient cooling and easier clean-out.



Quarter-turn latches on the hinged front grille allow quick and easy access for maintenance and cleaning.



Hydraulically driven variable-speed suction fans operate only as needed, reducing noise, fuel consumption, component wear, and operating costs.

Increases your uptime while keeping its cool.

If you can't take the heat, stay out of the landfill. We heard that loud and clear. So go ahead and put them through their paces — the J-Series Waste Handlers have what it takes to keep their cool in a hostile world.



Three-millimeter perforations in the hood and side shields act as a “first filter,” preventing entry of most airborne debris.

Variable-speed engine/charge-air- and hydraulic/hydrostatic-cooler fans run only as needed, reducing noise, fuel consumption, cooling component wear, and operating costs.

No stacked coolers in these crawlers. Radiators and engine charge-air coolers are mounted side-by-side, so they're easier to clean.

Suction-type fans automatically reverse every 30 minutes to blow away refuse and help prevent plugging. They can also be manually activated from the seat as needed.



Relentless.

Traditional oval undercarriage has only one wear-causing forward-travel flex point. Compared to the three found on elevated sprocket undercarriages, which do you think will last longer?

Heavy-duty ten-light package includes four mounted on the lift cylinders to help illuminate the way. Lights are guarded to minimize damage. Cab is pre-wired for a beacon.

Cab waste barrier prevents refuse from the tracks from accumulating in the powertrain.

Comprehensive hose-guard system and internal routing keep hydraulic hoses out of harm's way. Generous ground clearance and smooth belly guards resist catching and carrying waste.

Dual-stage pre-cleaner and under-hood filter help prolong engine life. Alternator incorporates a hood-mounted fresh-air pre-cleaner to help keep out airborne abrasives.

Turbocharged diesels deliver impressive power at a low rpm for enhanced longevity and optimum fuel economy. Wet-type cylinder liners dissipate heat for reduced ring wear and oil breakdown.

You won't have operators standing by with a John Deere waste handler. We sweat the details to make these crawlers' bulletproof design waste proof as well. If something's susceptible to damage, we've sealed, moved, re-routed, or re-engineered it—all in the name of uptime.



You know the cost of final-drive repairs. John Deere's unique design offers unsurpassed protection. Bolt-on seal guards provide the first defense.

Debris that gets past this point encounters an oil-filled double seal outside the final drive. If debris penetrates the first seal, oil escapes, setting off a visual warning within the cab, alerting the operator to shut down the machine. The second seal maintains oil in the final drives. It's an early warning system that can help avoid downtime and expense.



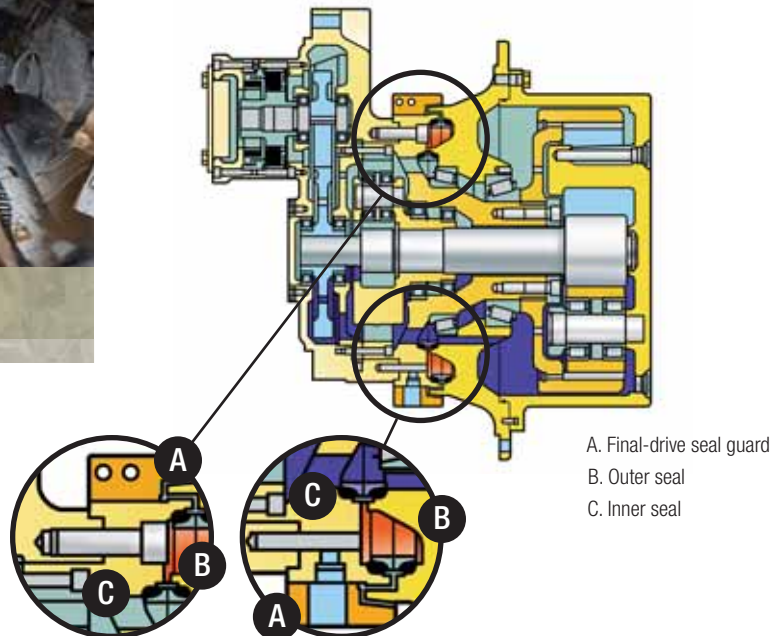
Optional front and/or rear striker bars shed material from the tracks and help prevent trash buildup around the idlers. Trapezoidal track pad cutouts and recessed sprocket segments resist undercarriage packing.



Fuel-tank guard and heavy-duty hinged bottom guards minimize damage. In addition, heavy-duty reinforcement bars on the grille, engine side shields, and hydraulic/hydrostatic-cooler cover protect vital components.



Turbocharger and exhaust-manifold thermal shield keeps these high-heat engine components under wraps to reduce fire hazards.



- A. Final-drive seal guard
- B. Outer seal
- C. Inner seal



Replaceable half-shell bearings within the dozer push beams provide longer component life and simplified replacement.



Sight gauges provide quick daily checks of hydraulic/transmission and final-drive fluids. Monitor signals an alert should these levels drop.



Convenient test ports, in-line fluid-sampling ports, and diagnostic monitor keep maintenance and operating costs to a minimum.



Optional fast-fuel and engine/splitter box oil-evacuation systems help speed and simplify periodic servicing for increased uptime.



No need to disconnect cooling system or hydraulic hoses when tilting the cab. Built-in jack provides quick and easy service access to drivetrain components. Simplifies clean-out, too.

Big dozer, minimal maintenance.

Your maintenance crew won't have to crawl all over these crawlers to maintain them. Like all Deere equipment, daily and periodic service points are conveniently grouped, with many behind hinged side shields that open wide, simplifying fluid and filter checks for increased uptime.

All daily engine-service checks are accomplished on the right side. Extended maintenance intervals let you go longer between scheduled service.

Conveniently displayed periodic lubrication and maintenance charts help ensure that nothing is overlooked.

TMC system provides detailed diagnostic readings with easy-to-understand messages for quick, easy troubleshooting without special tools.





Major production.

These purpose-built waste handlers have everything they need for maximum uptime, minimum maintenance, and unsurpassed performance. The J-Series' hydrostatic-drive system goes beyond the limits of other dozers, delivering infinite speed control, power management, and full power turns. With conventional torque-converter transmission

and clutch/brake or differential steering systems, other dozers just don't deliver the same operating ease. But hydrostatic drive isn't the only thing that enables the 950J and 1050J to exceed the others. Their traditional oval undercarriage design also incorporates several features that help them deliver long life and a smooth, productive ride.



Electronic monitor and gauges (including hydraulic/transmission oil temperature gauge) keep a vigilant watch on vital functions. Issues both visual and audible warnings.



Spacious and quiet air-conditioned cab provides unsurpassed all-round visibility and daylong comfort. Insulated HVAC ducting and AC compressor lines significantly improve cooling efficiency.

Just set maximum desired ground speed and power management does the rest. As loads change, the drivetrain automatically powers up or down to maintain peak engine rpm and efficiency. Travel speed in either direction can also be limited, to maximize undercarriage life.

Infinitely variable track control lets an operator speed up or slow power to each track — for smooth, full power turns of any radius. Unlike dozers with differential steering, tight turns are possible at any travel speed.

Hydraulic tilt and available blade pitch help keep the load in front of the blade. Optional trash rack does its job without sacrificing visibility.

Pilot-operated single lever gives intuitive, low-effort control of steering, forward/reverse travel, and ground speed. One-hundred percent of available power is always applied, regardless of the selected speed range, for top productivity all the time.

Available extreme-service pre-cleaner filters incoming air, helping make the sealed and pressurized cab even more operator friendly.

Specifications

Engine	950J WH
Manufacturer and Model	Liebherr D 936-L A6
Non-Road Emission Standards	certified to EPA Tier 3 emissions
Cylinders	in-line 6
Displacement	641 cu. in. (10.5 L)
Net Power (ISO9249)	247 hp (184 kW) @ 1,600 rpm
Net Peak Torque (ISO9249)	937 lb.-ft. (1270 Nm) @ 1,400 rpm
Aspiration	intercooled and turbocharged diesel; engine air dual-stage precleaner with debris screen; alternator air prescreener
Lubrication	pressure system with full-flow spin-on filter and integrated oil-to-water cooler
Air Cleaner	dual stage dry type with safety element and aspirated precleaner, with in-cab restriction indicator
Cold-Starting Aid	intake-mounted air-inlet heater
Slope Operation (maximum angle)	45 deg.

Cooling	
Engine	suction-type cooling fan, front mounted, thermostatically controlled; hydrostatically driven with automatic reverser set on timer every 30 minutes (run time 30 seconds) and manual switch; perforated engine side shields and heavy-duty front grille with tilt hose protection
Engine Radiator and Charge Air Cooler	5 fins per in.
Engine Coolant Rating	-34 deg. F (-37 deg. C)
Hydraulic/Transmission Cooling	oil-to-air heat exchanger with hydrostatically driven, thermostatically controlled cooling fan with auto fan reversing system
Hydrostatic Cooler	5 fins per in.

Powertrain	
Transmission	automatic dual-path, hydrostatic drive; load-sensing feature automatically adjusts speed and power to match changing load conditions; each individual track is powered by a variable-displacement pump and motor combination; speed-in-grip with fingertip speed control; infinite speed control; decelerator pedal controls ground speed to stop; dealer selectable transmission operating parameters; transmission diagnostic test ports
Maximum Speeds (forward and reverse)	6.8 mph (11 km/h)
Steering	single-lever steering, direction control, and counterrotation; full power turns and infinitely variable track speeds provide unlimited maneuverability and optimum control
Final Drives	double-reduction planetary final drives mounted independent of track frame and dozer push frame for isolation from shock loads; the hydraulic drive motors are mounted to the mainframe; final drives are double sealed with electronic seal-integrity indicator; bolt-on final-drive seal guards
Drawbar Pull	82,055 lb. (365 kN) @ .09 mph (1.5 km/h)
Service Brakes	hydrostatic (dynamic) braking stops the machine whenever the direction/steering control lever is moved to neutral or whenever the combined decelerator/brake pedal is fully depressed
Parking Brakes	exclusive park brake feature engages wet, multiple-disc brakes whenever the engine stops, the combined decelerator/brake pedal is fully depressed, the park lock lever is placed in the park position, the emergency travel stop button is depressed on the dash, the F-N-R control is in the neutral position for more than 7 seconds, or machine motion is sensed with F-N-R in neutral position; machine cannot be driven with brake applied, reducing wear-out or need for adjustment

Hydraulics	
Load-sensing proportional pump-flow control, variable-displacement axial-piston pump	
Pump Flow	68 gpm (258 L/min.) @ 1,600 rpm
System Relief Pressure	3,770 psi (26 000 kPa)
Filter, Return Oil	20 micron with 5-micron bypass filter
Control	single joystick lever

Electrical	
Voltage	24 volt
Number of Batteries	2
Battery Capacity	1,000 CCA
Alternator Rating	80 amp
Lights	10 total: cab mounted 6 (4 front and 2 rear) and 4 lift cylinder; and 2 rear reflectors

Undercarriage

950J WH

Tracks	track frame with front and rear track guides and sprocket guard; features deep-heat-treated, sealed, and lubricated track links and through-hardened, sealed, and lubricated rollers for maximum wear resistance; extreme-duty shoes for severe applications
Track Gauge (standard)	6 ft. 6 in. (1981 mm)
Chain	sealed and lubricated
Track/Carrier Rollers (each side)	7/2
Track Chain Pitch	8.5 in. (216 mm)
Sprocket Segments (each side)	5
Shoes (each side)	40
Ground Contact Area	
22-in. (560 mm) Grouser Width	5,194 sq. in. (33 510 cm ²)
24-in. (610 mm) Grouser Width	5,658 sq. in. (36 502 cm ²)
26-in. (660 mm) Grouser Width	6,122 sq. in. (39 494 cm ²)
Track Length on Ground	9 ft. 10 in. (2992 mm)
Oscillation at Front Idler	5.6 in. (141 mm)
Ground Pressure (with blade)	
22 in. (560 mm)	10.9 psi (75 kPa)
24 in. (610 mm)	10.0 psi (69 kPa)
26 in. (660 mm)	9.3 psi (64 kPa)

Serviceability

Integral bottom protection; engine and mid-frame reinforced guards; hinged bottom access covers; hydraulic hose "O"-ring face seal connectors

Sight Gauges. hydraulic reservoir, final-drive dual-cone seal, and radiator

Refill Capacities*

Fuel Tank	141 gal. (535 L)
Cooling System with Recovery Tank	16.4 gal. (62 L)
Splitter Drive	1.5 gal. (5.6 L)
Engine Oil with Filter	11.4 gal. (43 L)
Final Drive (each)	5.2 gal. (19.5 L)
Hydraulic/Transmission Reservoir and Filter	50 gal. (189 L)

*Please follow drain and refill procedures and volumes listed in the operator's manual.

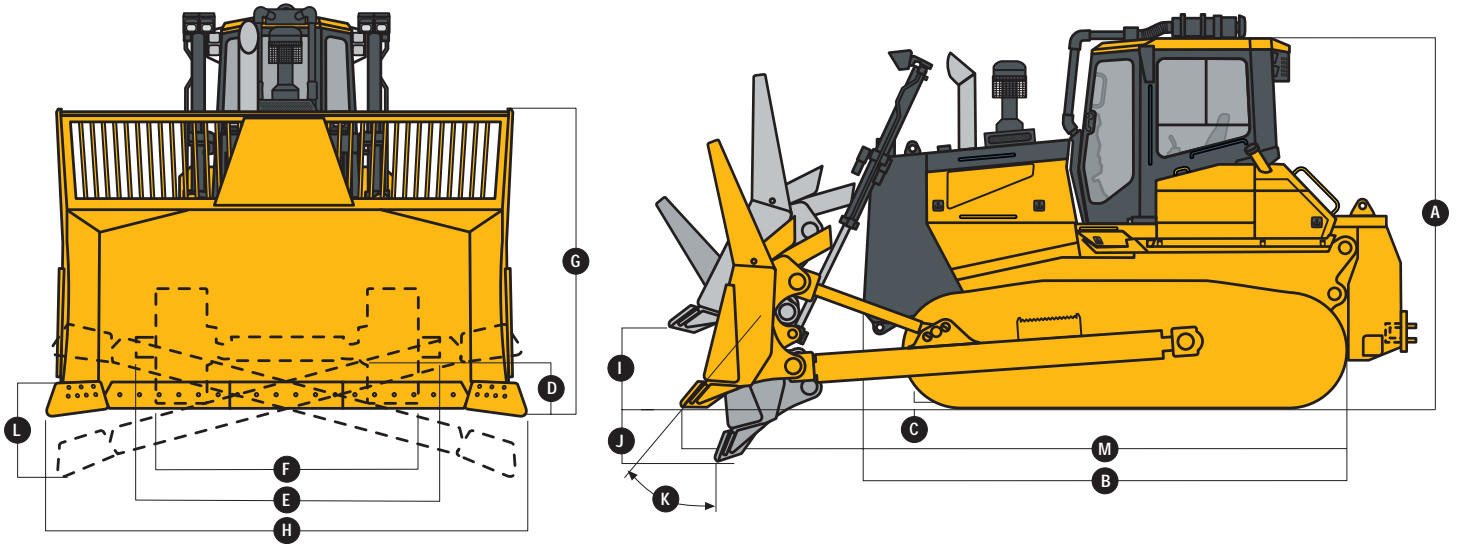
Operating Weights

Includes Waste-Handling Package, 24-in. (610 mm) Extreme-Service Shoes With Trapezoidal Holes, and Semi-U Blade with Trash Rack	58,462 lb. (26 518 kg)
Tractor Shipping Weight Includes Coolant, Lubricants, 20% Fuel, and Standard Track Pads (without blade or attachments)	49,351 lb. (22 385 kg)

Optional Components

Extreme-Service Grousers With Trapezoidal Holes	
22 in. (560 mm)	– 401 lb. (– 182 kg)
24 in. (610 mm)	in base
26 in. (660 mm)	209 lb. (95 kg)
Auxiliary Hydraulic Controls and Plumbing for Rear Attachments	
Dual-Function	278 lb. (126 kg)
Single-Function	150 lb. (68 kg)
Blade Liner for Semi-U Blade	937 lb. (425 kg)
Extended Rigid Drawbar	804 lb. (365 kg)
Powered Cab Air Precleaner System*	249 lb. (113 kg)
Push Plate	
Semi-U Blade	569 lb. (258 kg)
Straight Blade	472 lb. (214 kg)
Rear Counterweight	7,055 lb. (3200 kg)
With Storage Compartment	6,120 lb. (2776 kg)
Striker Bars	
Front	511 lb. (232 kg)
Rear	161 lb. (73 kg)
Trash Rack for Semi-U Blade	683 lb. (310 kg)
Wear Plates for Push Beams	436 lb. (198 kg)

*Note: Adds 12 in. (296 mm) to overall tractor height.



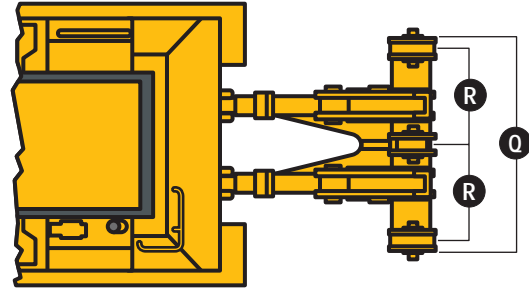
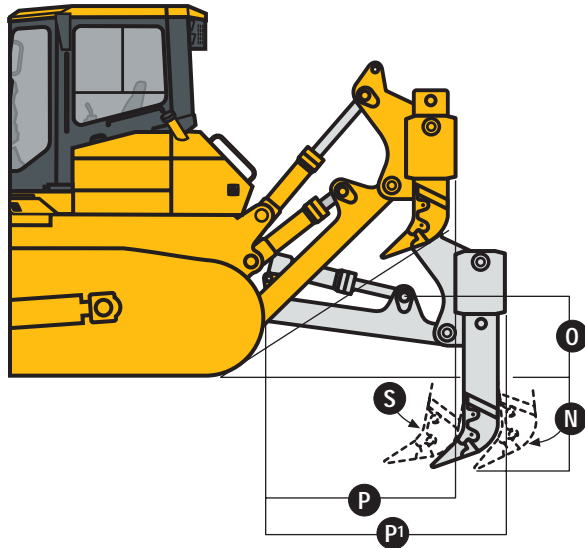
Machine Dimensions (with straight blade) 950J WH

A Overall Height Over Cab*	11 ft. 3 in. (3.43 m)
B Overall Length (without blade)	15 ft. 3 in. (4.66 m)
C Height of Grousers	3 in. (71.5 mm)
D Ground Clearance	21 in. (545 mm)
E Total Width Over Blade-Mounting Trunnions	9 ft. 10 in. (3.00 m)
F Overall Width	
22-in. (560 mm) Shoes	8 ft. 4 in. (2.54 m)
24-in. (610 mm) Shoes	8 ft. 6 in. (2.59 m)
26-in. (660 mm) Shoes	8 ft. 8 in. (2.64 m)

*NOTE: Illustration shows optional cab-roof-mounted cab air precleaner system. Overall height does NOT include this option. With powered cab air precleaner system add 12 in. (296 mm).

Blade Specs

	<i>without trash rack</i>	<i>with trash rack</i>
Semi-U Blade Weight with Standard Cutting Edges and Cupped End Bits without Spill Guard	4,835 lb. (2193 kg)	5,518 lb. (2503 kg)
Weight of Push Beams and Tilt Cylinders		
With Mechanical Pitch Adjustment	3,594 lb. (1630 kg)	3,594 lb. (1630 kg)
With Power Pitch	4,023 lb. (1825 kg)	4,023 lb. (1825 kg)
SAE Capacity (semi-U)	9.4 cu. yd. (7.19 m ³)	21.8 cu. yd. (16.65 m ³)
G Height	4 ft. 11 in. (1.5 m)	7 ft. 8 in. (2.3 m)
H Width	12 ft. 1 in. (3.69 m)	12 ft. 1 in. (3.69 m)
I Lifting Height	4 ft. 0 in. (1.22 m)	4 ft. 0 in. (1.22 m)
J Blade Digging Depth	20 in. (511 mm)	20 in. (511 mm)
K Maximum Blade Pitch Adjustment	10 deg.	10 deg.
L Maximum Tilt	37 in. (930 mm)	37 in. (930 mm)
M Overall Length	19 ft. 10 in. (6.05 m)	19 ft. 10 in. (6.05 m)



Rear Ripper

950J WH

3-shank parallelogram ripper with hydraulic pitch adjustment and 2 hole shank positions

Weight	7,286 lb. (3305 kg)
N Ripping Depth	
Maximum	29 in. (749 mm)
Minimum	18 in. (449 mm)
O Lifting Height	
Maximum	30 in. (755 mm)
Minimum	18 in. (459 mm)
P Overall Length (attachment raised)	5 ft. 2 in. (1.6 m)
P' Overall Length (attachment lowered)	6 ft. 4 in. (1.9 m)
Q Toolbar Width	7 ft. 2 in. (2.2 m)
R Distance Between Teeth	3 ft. 3 in. (1.0 m)
S Maximum Pitch Adjustment	25 deg.

Specifications

Engine	1050J WH
Manufacturer and Model	Liebherr D 946-L A6
Non-Road Emission Standards	certified to EPA Tier 3 emissions
Cylinders	in-line 6
Displacement	732 cu. in. (12.0 L)
Net Power (ISO9249)	335 hp (250 kW) @ 1,800 rpm
Net Peak Torque (ISO9249)	1,254 lb.-ft. (1700 Nm) @ 1,400 rpm
Aspiration	intercooled and turbocharged diesel; engine air dual-stage precleaner with debris screen; alternator air prescreener
Lubrication	pressure system with full-flow spin-on filter and integrated oil-to-water cooler
Air Cleaner	dual-stage dry type with safety element and aspirated precleaner, with dash-mounted restriction indicator
Cold-Starting Aid	intake-mounted air-inlet heater
Slope Operation (maximum angle)	45 deg.
Cooling	
Engine	suction-type cooling fan, front mounted, thermostatically controlled; hydrostatically driven with automatic reverser set on timer every 30 minutes (run time 30 seconds) and manual switch; perforated engine side shields and heavy-duty front grille
Engine Radiator and Charge Air Cooler	5 fins per in.
Engine Coolant Rating	-34 deg. F (-37 deg. C)
Hydraulic/Transmission Cooling	oil-to-air heat exchanger with hydrostatically driven, thermostatically controlled cooling fan with auto fan reversing system
Hydrostatic Cooler	5 fins per in.
Powertrain	
Transmission	automatic dual-path, hydrostatic drive; load-sensing feature automatically adjusts speed and power to match changing load conditions; each individual track is powered by a variable-displacement pump and motor combination; speed-in-grip with fingertip speed control; infinite speed control; decelerator pedal controls ground speed to stop; dealer selectable transmission operating parameters; transmission diagnostic test ports
Maximum Speeds (forward and reverse)	6.8 mph (11 km/h)
Steering	single-lever steering, direction control, and counterrotation; full power turns and infinitely variable track speeds provide unlimited maneuverability and optimum control
Final Drives	double-reduction planetary final drives mounted independent of track frame and dozer push frame for isolation from shock loads; the hydraulic drive motors are mounted to the mainframe; final drives are double sealed with electronic seal-integrity indicator; bolt-on final-drive seal guards
Drawbar Pull	116,901 lb. (520 kN) @ .09 mph (1.5 km/h)
Service Brakes	hydrostatic (dynamic) braking stops the machine whenever the direction/steering control lever is moved to neutral or whenever the combined decelerator/brake pedal is fully depressed
Parking Brakes	exclusive park brake feature engages wet, multiple-disc brakes whenever the engine stops, the combined decelerator/brake pedal is fully depressed, the park lock lever is placed in the park position, the emergency travel stop button is depressed on the dash, the F-N-R control is in the neutral position for more than 7 seconds, or machine motion is sensed with F-N-R in neutral position; machine cannot be driven with brake applied, reducing wear-out or need for adjustment
Hydraulics	
Load-sensing proportional pump-flow control, variable-displacement axial-piston pump	
Pump Flow	68 gpm (258 L/min.) @ 1,600 rpm
System Relief Pressure	3,700 psi (26 000 kPa)
Filter, Return Oil	20 microns with 5-micron bypass filter
Control	single joystick lever
Electrical	
Voltage	24 volt
Number of Batteries	2
Battery Capacity	1,000 CCA
Alternator Rating	80 amp
Lights	10 total: cab mounted 6 (4 front and 2 rear) and 4 lift cylinder; and 2 rear reflectors

Undercarriage

1050J WH

Tracks	track frame with front and rear track guides and sprocket guard; features deep-heat-treated, sealed, and lubricated track links and through-hardened, sealed, and lubricated rollers for maximum wear resistance; extreme-duty shoes for severe applications	
Track Gauge (standard)	7 ft. 2 in. (2180 mm)	
Chain	sealed and lubricated	
Track/Carrier Rollers (each side)	7/2	
Track Chain Pitch	8.5 in. (216 mm)	
Sprocket Segments (each side)	5	
Shoes (each side)	44	
Track Length on Ground	10 ft. 5 in. (3175 mm)	
Oscillation at Front Idler	13 in. (330 mm)	
Ground Contact Area		
24-in. (610 mm) Grouser Width	6,004 sq. in. (38 735 cm ²)	
26-in. (660 mm) Grouser Width	6,496 sq. in. (41 910 cm ²)	
28-in. (710 mm) Grouser Width	6,998 sq. in. (45 149 cm ²)	
	<i>semi-U dozer blade with power tilt</i>	<i>U blade with power tilt</i>
	<i>and mechanical pitch adjustment</i>	<i>mechanical pitch adjustment</i>
Ground Pressure (with blade)		
24 in. (610 mm)	13.8 psi (95 kPa)	14.0 psi (97 kPa)
26 in. (660 mm)	12.8 psi (88 kPa)	13.1 psi (90 kPa)
28 in. (710 mm)	12.0 psi (83 kPa)	12.2 psi (84 kPa)

Serviceability

Sight Gauges hydraulic reservoir, final-drive dual-cone seal, and radiator

Refill Capacities*

Fuel Tank	171.7 gal. (650 L)
Cooling System with Recovery Tank	15.1 gal. (57 L)
Splitter Drive	1.5 gal. (6 L)
Engine Oil with Filter	9.0 gal. (34 L)
Final Drive (each)	4.9 gal. (19 L)
Hydraulic/Transmission Reservoir and Filter	55.5 gal. (210 L)

*Please follow drain and refill procedures and volumes listed in the operator's manual.

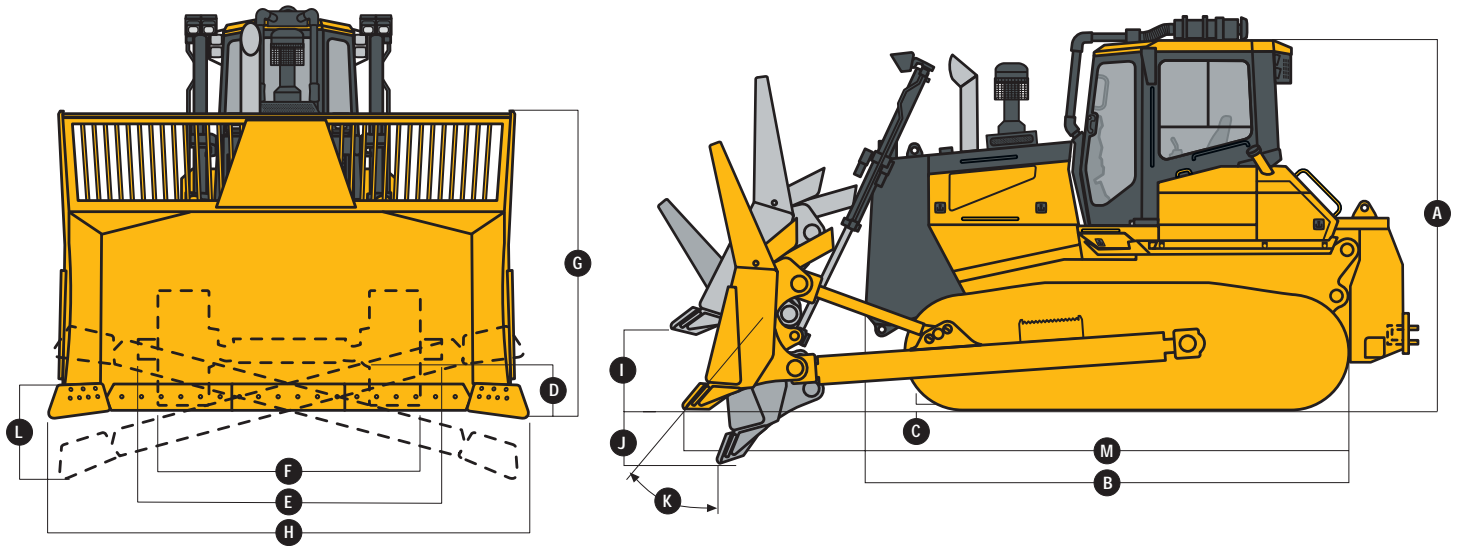
Operating Weights

SAE Operating Weight Includes Standard Equipment,
Semi-U Blade with Trash Rack, 24-in. (610 mm)
Extreme-Service Shoes with Trapezoidal Holes,
Full Fuel Tank, and 175-lb. (79 kg) Operator 80,967 lb. (36 726 kg)

Optional Components

Extreme-Service Shoes With Trapezoidal Holes	
24 in. (610 mm)	in base
26 in. (660 mm)	520 lb. (236 kg)
28 in. (710 mm)	1,049 lb. (476 kg)
Auxiliary Dual-Function Hydraulic Controls and Plumbing for Rear Attachments	313 lb. (142 kg)
Blade Liner for Semi-U Blade	1,311 lb. (595 kg)
Pin Puller (hydraulic)	130 lb. (59 kg)
Powered Cab Air Precleaner System*	249 lb. (113 kg)
Push Plate for Semi-U Blade	798 lb. (362 kg)
Rear Counterweight	
With Drawbar	8,772 lb. (3979 kg)
With Storage Compartment	7,714 lb. (3499 kg)
Trash Rack	
For Semi-U Blade	1,104 lb. (501 kg)
For U-Blade	1,184 lb. (537 kg)
Wear Plates for Push Beams	752 lb. (341 kg)

*Note: Adds 12 in. (296 mm) to overall tractor height.



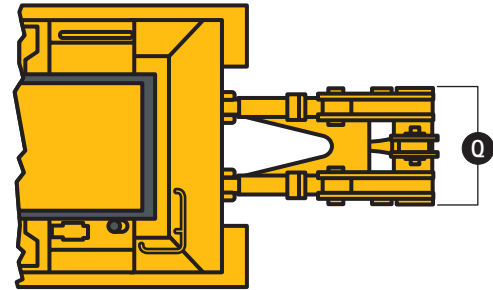
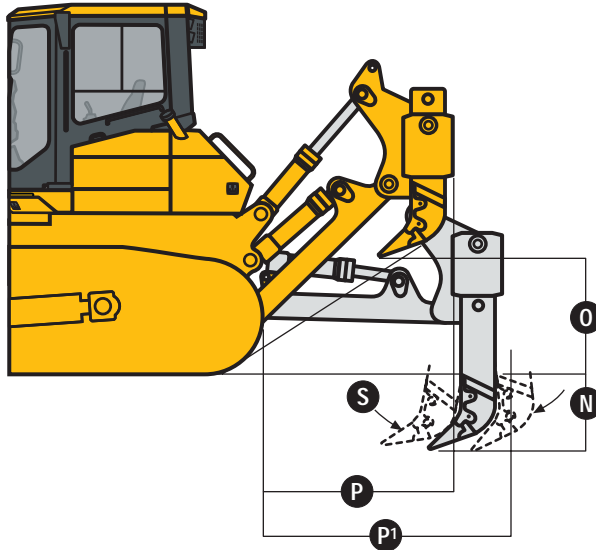
Machine Dimensions **1050J WH**

A Overall Height Over Cab*	11 ft. 11 in. (3.63 m)
B Overall Length (without blade)	16 ft. 0 in. (4.88 m)
C Height of Grousers	3 in. (84 mm)
D Ground Clearance	25 in. (635 mm)
E Total Width Over Blade-Mounting Trunnions	10 ft. 4 in. (3.15 m)
F Overall Width	
24-in. (610 mm) Extreme-Duty Single-Bar	
Grouser Shoes	9 ft. 2 in. (2.79 m)
26-in. (660 mm) Extreme-Duty Single-Bar	
Grouser Shoes	9 ft. 4 in. (2.84 m)
28-in. (711 mm) Extreme-Duty Single-Bar	
Grouser Shoes	9 ft. 6 in. (2.90 m)

*NOTE: Illustration shows optional cab-roof-mounted cab air precleaner system. Overall height does NOT include this option. With powered cab air precleaner system add 12 in. (296 mm).

Blade Specs (with push beams, cupped end bits, and tilt cylinders)

	<i>semi-U dozer blade</i>	<i>semi-U dozer blade with trash rack</i>	<i>U dozer blade</i>	<i>U dozer blade with trash rack</i>
Weight				
With Mechanical Pitch Adjustment	13,318 lb. (6041 kg)	14,420 lb. (6541 kg)	14,908 lb. (6762 kg)	16,092 lb. (7299 kg)
With Power Tilt	13,567 lb. (6154 kg)	14,670 lb. (6654 kg)	15,157 lb. (6875 kg)	16,341 lb. (7412 kg)
With Standard Cutting Edges	7,033 lb. (3190 kg)	8,135 lb. (3690 kg)	8,622 lb. (3911 kg)	9,806 lb. (4448 kg)
SAE Capacity	11.6 cu. yd. (8.92 m ³)	25.8 cu. yd. (19.79 m ³)	15.3 cu. yd. (11.8 m ³)	32.8 cu. yd. (25.05 m ³)
G Height	5 ft. 5 in. (1.7 m)	7 ft. 10 in. (2.4 m)	5 ft. 5 in. (1.7 m)	7 ft. 10 in. (2.4 m)
H Width	13 ft. 3 in. (4.03 m)	13 ft. 3 in. (4.03 m)	14 ft. 2 in. (4.3 m)	14 ft. 2 in. (4.3 m)
I Lifting Height	4 ft. 7 in. (1.4 m)	4 ft. 7 in. (1.4 m)	4 ft. 7 in. (1.4 m)	4 ft. 7 in. (1.4 m)
J Blade Digging Depth	22 in. (570 mm)	22 in. (570 mm)	22 in. (570 mm)	22 in. (570 mm)
K Maximum Blade Pitch Adjustment	10 deg.	10 deg.	10 deg.	10 deg.
L Maximum Tilt	3 ft. 5 in. (1043 mm)	3 ft. 5 in. (1043 mm)	3 ft. 5 in. (1043 mm)	3 ft. 5 in. (1043 mm)
M Overall Length	21 ft. 4 in. (6.5 m)	21 ft. 4 in. (6.5 m)	22 ft. 8 in. (6.9 m)	22 ft. 8 in. (6.9 m)



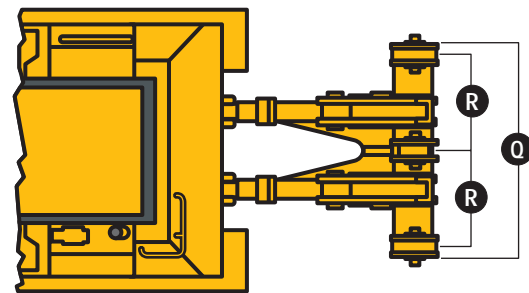
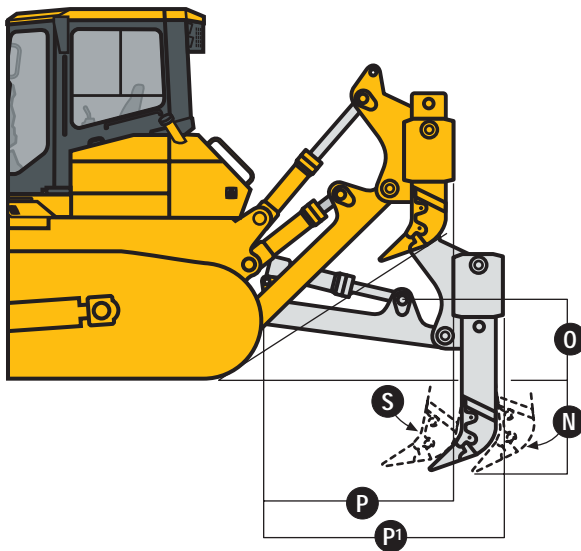
1050J WASTE HANDLER WITH SINGLE-SHANK REAR RIPPER

Rear Ripper

1050J

Parallelogram ripper with hydraulic pitch adjustment

	<i>single-shank (3-hole height adjustment in each shank)</i>	<i>multi-shank (3) with hydraulic pitch (2-hole height adjustment in each shank)</i>
Weight	7,974 lb. (3617 kg)	10,509 lb. (4767 kg)
N Ripping Depth		
Maximum	3 ft. 11 in. (1201 mm)	2 ft. 7 in. (791 mm)
Minimum	17 in. (421 mm)	19 in. (476 mm)
O Lifting Height		
Maximum	3 ft. 5 in. (1040 mm)	3 ft. 3 in. (985 mm)
Minimum	10 in. (260 mm)	19 in. (476 mm)
P Overall Length (attachment raised)	6 ft. 0 in. (1.8 m)	6 ft. 0 in. (1.8 m)
P' Overall Length (attachment lowered)	7 ft. 9 in. (2.4 m)	7 ft. 9 in. (2.4 m)
Q Toolbar Width	4 ft. 4 in. (1.3 m)	8 ft. 0 in. (2.4 m)
R Distance Between Teeth	3 ft. 7 in. (1.1 m)	3 ft. 7 in. (1.1 m)
S Maximum Pitch Adjustment	31 deg.	31 deg.



1050J WASTE HANDLER WITH MULTI-SHANK REAR RIPPER

950J / 1050J WASTE HANDLERS

Key: ● Standard equipment ▲ Optional equipment

*See your John Deere dealer for further information.

Base Machine	Landfill Package	Engine
●	●	Certified to EPA Tier 3 emissions
●	●	Spin-on vertical oil filter with anti-drainback valve
●	●	Fuel system includes precleaner with water separator
▲	●	Alternator air prescreener
●	●	Oil-to-water engine oil cooler
▲	●	Thermal shield for turbocharger and exhaust manifold
●	●	Electronic engine throttle control
●	●	Key start switch with electric shutoff
●	●	Intake-mounted air-inlet heater
Cooling		
▲	●	Hydraulically driven fans for engine and hydraulic cooling systems with automatic reverser on timer and manual switch
●	●	Radiator and charge air cooler rated 5 fins per in.
●	●	Radiator and charge air cooler side-by-side design
●	●	Transmission cooler with hydraulically driven cooling fan
●	●	Transmission cooler rated 5 fins per in.
	●	Perforated and corrugated side-shield opening
Powertrain		
●	●	Infinitely variable speed to match ground speed to load
●	●	Integral final-drive seal protection with in-cab warning before failure
▲	●	Bolt-on final-drive seal guards
●	●	Diagnostic test ports
Hydraulics		
●	●	Two-function hydraulics
●	●	10/5-micron dual-stage filter element
●	●	Hydraulic/transmission oil reservoir with service shutoff
●	●	O-ring seal connectors
●	●	Diagnostic test ports
Electrical		
●	●	Positive-terminal battery covers
●	●	Master disconnect
●	●	Electrically activated battery
	●	Pre-wired for beacon
Undercarriage		
●	●	Oscillating track frames
▲	▲	Segmented sprockets
●	●	Heavy-duty sealed and lubricated track chain

Base Machine	Landfill Package	Undercarriage (continued)
●	●	Half-shell push-beam bearings
●	●	Integrated track-frame cover
Operator's Station		
●	●	Modular-design ROPS/FOPS isolation-mounted cab with left and right access
●	●	Heater (35,000 Btu) and air conditioning (28,000 Btu)
●	●	Pressurized and filtered ventilation with 3-speed blower
●	●	Left and rear sliding windows
●	●	Dome light
●	●	Rubber floor mats
●	●	Slip-resistant steps
●	●	Air-suspension fabric seat
●	●	Adjustable armrests, backrest, height, weight, and fore-aft
●	●	2-in. (50 mm) seat belt with retractor
●	●	Radio ready
●	●	12-volt/10-amp power port
●	●	Cup holder
●	●	Interior-mounted rearview mirror
▲	●	Hydraulic oil temperature gauge
Landfill Guarding		
▲	●	Bottom tank guards
	●	Protection bars on side covers
	●	Protection bars for engine side doors
	●	Belly pan sealing
▲	●	Seal between cab and mainframe
	●	Trunnion guard for tilt-cylinder hoses
	▲	Striker bars
	▲	Blade trash rack
Overall Vehicle		
●	●	One-piece unitized mainframe
●	●	On-board cab-tilt system
●	●	Rear retrieval hitch
●	●	Rear attachment mounting points integral to mainframe
●	●	Sight gauges for hydraulic, transmission, and final-drive seal fluids
▲	▲	Counterweight with storage compartment
▲	▲	Hydraulic blade pitch available
▲	▲	JDLink™

CONTROL OWNING AND OPERATING COSTS

Customer Personal Service (CPS) is part of John Deere's proactive, fix-before-fail strategy on machine maintenance that will help control costs, increase profits, and reduce stress. Included in this comprehensive lineup of ongoing programs and services are:

Fluid analysis program – tells you what's going on inside *all* of your machine's major components so you'll know if there's a problem *before* you see a decline in performance. Fluid analysis is included in most extended coverage and preventive-maintenance agreements.

Component life-cycle data – gives you vital information on the projected life span of components and lets you make informed decisions on machine maintenance by telling you approximately how many hours of use you can expect from an engine, transmission, or hydraulic pump. This information can be used to preempt catastrophic downtime by servicing major components at about 80 percent of their life cycle.

Preventive Maintenance (PM) agreements – give you a fixed cost for maintaining a machine for a given period of time. They also help you avoid downtime by ensuring that critical maintenance work gets done right and on schedule. On-site preventive maintenance service performed where and when you need it helps protect you from the expense of catastrophic failures and lets you avoid waste-disposal hassles.

Extended coverage – gives you a fixed cost for machine repairs for a given period of time so you can effectively manage costs. Whether you work in a severe-service setting or just want to spread the risk of doing business, this is a great way to custom-fit coverage for your operation. And an extended coverage contract also travels well because it's backed by John Deere and is honored by *all* Deere construction dealers.

Customer Support Advisors (CSAs) – Deere believes the CSA program lends a *personal* quality to Customer Personal Service (CPS). Certified CSAs have the knowledge and skills for helping make important decisions on machine maintenance and repair. Their mission is to help you implement a plan that's right for *your* business and take the burden of machine maintenance off your shoulders.



JOHN DEERE

DKA91050WH Litho in U.S.A. (07-04)

Net engine power is with standard equipment including air cleaner, exhaust system, alternator, and cooling fan at test conditions specified per ISO9249. No derating is required up to 10,000-ft. (3050 m) altitude.

Specifications and design subject to change without notice. Wherever applicable, specifications are in accordance with SAE standards. Except where otherwise noted, these specifications are based on units with standard equipment, modular ROPS/cabs, full fuel tanks, and 175-lb. (79 kg) operators.

