

IT14G

Integrated
Toolcarrier



Bucket capacities	1.2 - 1.4 m ³	1.6 - 1.8 yd ³
Operating weight to	8450 kg	18,632 lb
Cat 3054T Engine		
Gross power	73 kW	98 HP
Flywheel power	67 kW	90 HP

IT14G Integrated Toolcarrier

Sets the new standard for performance, responsiveness and operating comfort for machines in this class.

Operator Station

Ergonomically designed for total machine control in a comfortable, spacious environment. All controls, levers, switches and gauges are positioned to maximize productivity.

- ✓ Pilot hydraulic controls provide low-effort, quiet operation.
- ✓ Full-length glass windshield with silicon joints enhances visibility. **pg. 4-5**

Cat Hystat Power Train

- ✓ Delivers a broader range of power and performance to the ground with less operator input than converter-driven transmissions. Cat 3054T diesel engine provides reliable power and very low exhaust emissions. **pg. 6-7**

Axles & Brakes

- ✓ Caterpillar axles feature new enclosed, hydraulically-actuated disc brakes on both front and rear for better performance and easier operation. **pg. 7**

Totally New Design

One of the first Caterpillar machines completely designed using state-of-the-art three-dimensional modeling computer technology. The results include a highly responsive hydrostatic transmission, exceptional machine balance and easier serviceability than ever before.

Modern Operator's Environment

Engineered using advanced virtual reality technology to provide unparalleled visibility and operator comfort. Ergonomic controls and seating adjust to any operator. Implement controls are low-effort pilot hydraulic for smooth, precise operation.

Versatile Integrated Toolcarrier Design

Legendary Caterpillar eight-bar parallel lift linkage and integral quick coupler give the IT14G unmatched versatility for a range of applications limited only by the imagination. A new "creeper" function allows high engine speed at very low travel speeds for even better control of attachments.



✓ *New feature*

Quick Coupler and Attachments

The IT14G is a machine with applications limited only by your imagination. Choose from a wide selection of attachments, most of which can be changed in less than a minute without leaving the cab. **pg. 8**

Serviceability

The IT14G is designed for quick, easy service and minimal maintenance.

- ✓ *Lift-open engine hood with pneumatically-assisted struts provides uncompromised access to engine and*
- ✓ *components. New cooling system offers improved cooling capacity, simplified service and extended service intervals.*

pg. 9



Operator Station

Ergonomical design emphasizes comfort, visibility and easy operation.



Operator Comfort. The G-Series cab designers employed a powerful supercomputer using virtual reality to simulate the ideal operator environment. The result is remarkable peripheral visibility coupled with operators' most requested features. The IT14G cab is a spacious work environment that promotes productive operation. Exceptional sound insulation and low-noise components make the Cat IT14G cab one of the quietest in the industry.

Operators can customize the cab to their individual needs through the vast range of adjustments. The seat, tilt steering console and climate controls are a few of the many areas of adjustments that make the IT14G the new leader in operator preference.



- 1 - Tilt Steering Console
- 2 - Warning Indicators and Light Controls
- 3 - Multi-Port Ventilation

- 4 - Windshield Wiper Controls and Status Indicators
- 5 - Implement Controls
- 6 - "Creep" Variable Speed Control (Optional)



Low-Effort Operation. New pilot hydraulic controls give the IT14G uncompromised ease of operation of lift, tilt, and quick coupler functions. A remote transmission control option adds a forward/neutral/reverse switch (1) on the implement lever for easier operation and enhanced productivity. Third and fourth function controls are also available for use with special attachments.

Hydrostatic, closed-center steering system with flow amplification provides fast or slow steering response, depending on the operational requirement.



More Seating Options. There is a wide choice of seat options. The Contour Series Seat, right, is the premium seat option and is designed for maximum comfort and fully-adjustable support. Ergonomically shaped seat cushions reduce pressure on the lower back and thighs, while allowing unrestricted arm and leg movement. Even the arm rest angle is adjustable.

Heated and air-suspension seats are among the other options to further enhance operator comfort.

Caterpillar® Hystat Power Train

The Cat® hydrostatic power train provides dependable and smooth operation.

The IT14G Hystat Power Train features a high-pressure closed-loop hydrostatic transmission. This transmission provides a broader range of power and performance to the ground, with less operator input, than conventional converter-driven transmissions.

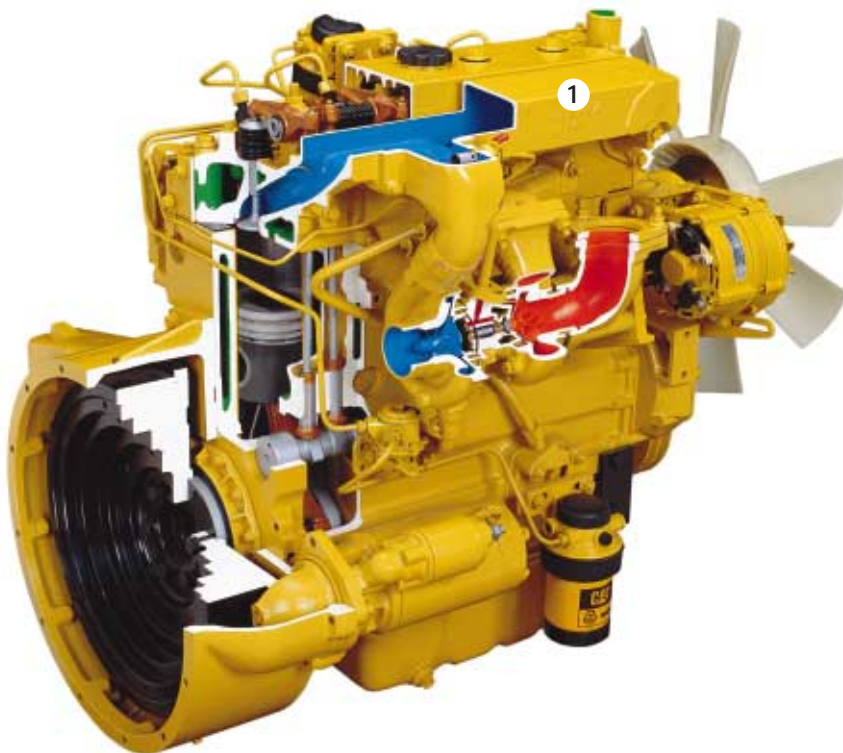
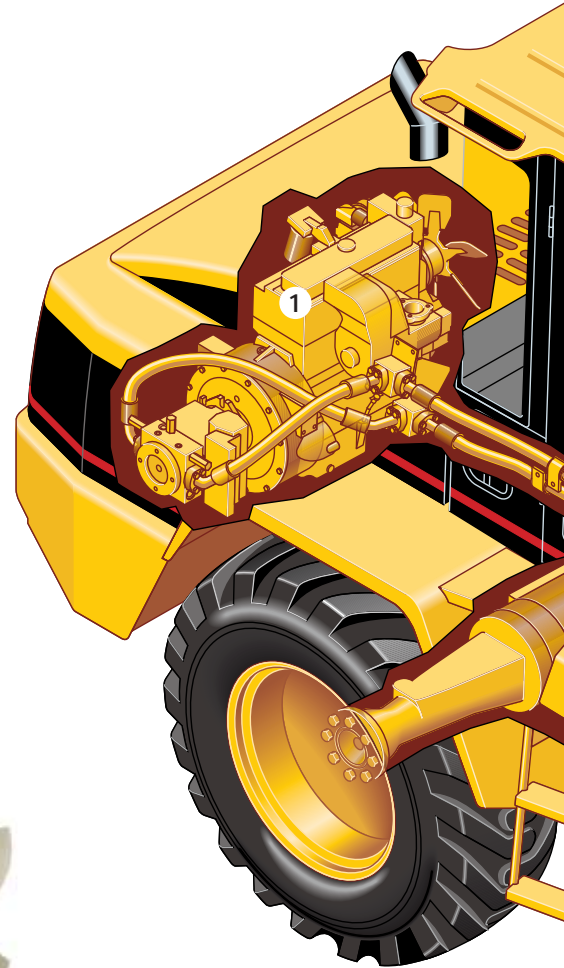
Advantages of the Cat Hystat Power Train include:

- Simple and smooth operation;
- Direct change of speed and direction;
- Stepless low speed variation without loss of power;
- Exceptional inching function for precise control;
- Hydrostatic braking reduces wear on mechanical brakes;
- Less heat generated when pushing against a pile of material;
- Higher working productivity;
- Highly reliable ... fewer parts than a mechanical transmission.

1 - Caterpillar 3054T Diesel Engine.

This high-performance engine incorporates many of the same heavy-duty features that help make the larger Cat diesel engines the standard of the industry. It is designed for rugged, reliable operation while providing peak performance over a wide range of operating conditions. For added service life, the 3054T has many rebuild features such as field-replaceable cylinder liners and replaceable valve guides and seats.

Low Emission Engine. The standard 3054T is a very low emission engine designed not only to meet today's environmental standards, but also to meet future worldwide emission standards. It is one of the cleanest burning engines in its class.





2 - Caterpillar Axles and Brakes.

New hydraulically-actuated disc brakes, standard on both front and rear axles, provide improved performance and low-effort operation. Brakes are adjustment-free and fully enclosed. Enclosed design allows extended operation even in the harshest environments. Patented Duo-Cone Seals on the axle keep oil in and lock contaminants out. Oscillating rear axle ensures four-wheel ground contact for optimum traction and stability.

3 - Differentials. A choice of standard conventional or Limited Slip differentials adapts the machine to a wide range of operating conditions. Limited Slip differentials are available on front, rear or both axles.

Quick Coupler and Attachments

For applications limited only by your imagination.

The **Quick Coupler** is an integral part of the Caterpillar Integrated Toolcarrier. Tool changes are quick and easy, most in under a minute. A lever in the operator compartment activates a hydraulic cylinder for positive tool retention or disengagement.

A **wide selection of tools** are available from Caterpillar Special Attachments Division and many third-party manufacturers.

8-Bar Parallel linkage simplifies keeping forks level throughout the range of lift, without adjustment. Longer lift arms, taller front tower and higher pivot points offer more lift height and reach than conventional loaders. Superior load control is provided by more tilt capacity than lift in almost all positions.

High Dump Height requirements are addressed with the new IT14G linkage.



Serviceability

More access and fewer maintenance requirements add up to unparalleled ease of service.



Quick Access. A tilt-up engine enclosure hood with dual pneumatically-assisted lift cylinders provides exceptional access to major power train components. All filters and service points are reachable from ground level.

Ease of Maintenance. The cooling system features a new trash-resistant radiator and a new oil cooler design:

- Oil cooler tilts out 35° for cooling system inspection and cleaning;
- Quick-release hydraulic oil cooler for fast, easy access;
- Extended Life Coolant/Antifreeze with 6000 hour change intervals.

Service features:

- Radial Seal air cleaner with service indicator;
- Battery access (engine hood);
- Ecology drain valves available;
- Electrical fuse access (right door);
- Ground level filter changes;
- Remote grease fittings;
- Visual fluid level checks:
 - hydraulic oil
 - coolant
 - windshield wiper fluid.

Engine

Caterpillar four-stroke cycle, four cylinder 3054 turbocharged diesel engine.

Ratings at 2200 RPM	kW	HP
Gross power	73	98
Net power	67	90

The following ratings apply at 2200 rpm when tested under the specified standard conditions for the specified standard:

NET POWER	kW	HP	PS
Caterpillar	67	90	--
ISO 9249	67	90	--
EEC 80/1269	67	90	--
SAE J1349	66	89	--
DIN 70020	--	--	93

Dimensions

Bore	100 mm	3.94 in.
Stroke	127 mm	5.00 in.
Displacement	4.0 liters	244 cu in.

Exhaust Emissions

The Caterpillar 3054T meets the current European (EEC) and North American (EPA) emission regulations for off-highway construction equipment.

Power rating conditions

- based on standard air conditions of 25°C (77°F) and 99 kPa (29.32" Hg) dry barometer.
- used 35° API gravity fuel having an LHV of 42,780 kJ/kg (18,390 Btu/lb) when used at 30°C (86°F) [ref. a fuel density of 838.9 g/L (7.001 lb/gal)].
- Net power advertised is the power available at the flywheel when the engine is equipped with fan, air cleaner, muffler and alternator.
- no derating required up to 2286 m (7,500 ft) altitude.

Features

- direct-injection rotary fuel pump with individual adjustment-free injection valves.
- cast iron block with internally stiffened deep skirt design.
- field replaceable dry cylinder liners.
- replaceable valve guides and seats.
- large-diameter, hardened chrome-molybdenum steel crankshaft.
- three-ring controlled-expansion pistons lubricated from oil jets.
- helical steel front gear train.
- fuel priming pump and fuel/water separator are standard.
- gear-driven oil pump located in oil pan.
- gear-driven water pump.
- direct electric 24-volt starting and charging system with two heavy-duty 12-volt 900 CCA Caterpillar batteries and 60-amp alternator.
- thermal starting aid is standard for improved starting in extremely cold temperatures.

Transmission

Closed-loop hydrostatic system delivers high performance.

Single-path, variable-displacement pump (axial piston type) and two variable displacement motors (bent axis type) driving fixed ratio gear box on rear axle.

Max travel speeds with 17.5-25 tires:

		km/h	MPH
Forward	Low	9	5.6
	High	32	19.9
Reverse	Low	9	5.6
	High	32	19.9

Features

- single lever control for easy and precise control of direction changes.
- full power directional changes.
- HIGH/LOW speed switch for roading or working transmission modes. Full rimpull is available in either mode.
- inching function allows momentary travel speeds as low as zero with full engine rpm.
- optional creeper function allows variable control of travel speeds (zero to 9 kph/5.6 mph) with full engine rpm.
- optional remote transmission control adds a forward/neutral/reverse switch on the implement lever and directional indicators on the instrument cluster.

Axles

Fixed front, oscillating rear ($\pm 11^\circ$).

Features

- Caterpillar axle with fully-enclosed brakes and final drives.
- Patented Duo-Cone Seals between axle and housing.
- rear wheel can raise or drop a total of 350 mm (13.8 in.).
- conventional differentials standard.
- Limited Slip differentials are optional on front, rear or both axles.
- rear axle trunnion has remote lubrication fitting.

Brakes

Meets the following standards: OSHA, SAE J1473 OCT 90, ISO 3450-1985.

Service brake features

- inboard oil-immersed disc brakes on front and rear axles are standard.
- completely enclosed and sealed.
- adjustment-free.
- dual pedal, low-effort hydraulic braking system.
- hydrostatic drive is variably neutralized during braking.
- hydrostatic system provides additional hydraulic braking capacity.

Parking brake features

- mechanical, shoe-type brake.
- mounted on drive line for positive manual operation.
- transmission is automatically neutralized when parking brake is applied.

Final Drives

Planetary final drives consist of ring gears and planetary carrier assemblies.

Features

- ring gears are pressed in and doweled into axle housing.
- carrier assemblies include planet gears with full-floating bronze sleeve bearings.
- high contact ratio gearset reduces noise levels during meshing.
- planetary reduction gears are inboard mounted for optimal protection and durability.

Loader Hydraulic System

Open-centered system. Pilot-operated hydraulic implement controls.

Implement system, fixed displacement pump

Output at 2200 RPM and 6900 kPa (1000 psi) with SAE 10W oil at 66°C (150°F)	90 liters/min	23.8 gpm
Relief valve setting	24 550 kPa	3,560 psi
Lift cylinders, double acting: bore and stroke	89 x 795 mm	3.5 x 31.3"
Tilt cylinder, double acting: bore and stroke	76 x 805 mm	3.0 x 31.7"

Hydraulic cycle time	Seconds
Raise	6.9
Dump	2.5
Lower, empty, float down	3.1

Features

- fixed displacement implement pump (gear type) directly connected to engine output.
- low effort, pilot-operated controls.
- pilot shutoff valve disables implement functions for added safety.
- full-flow filtering.
- hydraulic couplings with O-Ring Face Seals.
- standard hydraulic oil cooler tilts out for easy cleaning of heat exchangers.
- Ride Control system available to reduce machine bounce when traveling.

Cab

Caterpillar cab and Rollover Protective Structure (ROPS) are standard in North America and Europe.

Features

- ROPS meets the following criteria:
 - SAE J394.
 - SAE J1040 MAY94.
 - ISO 3471-1994.
- also meets the following criteria for Falling Objects Protective Structure:
 - SAE J231 JAN81.
 - ISO 3449-1992.

Note

When properly installed and maintained, the cab offered by Caterpillar, when tested with doors and windows closed as per work cycle procedures specified in ANSI/SAE J1166 May 90, results in an operator sound exposure Leq (equivalent sound pressure level) of 73 dB(A). This A-weighted sound exposure level can be used in conjunction with OSHA, MSHA and EEC Occupational Noise Exposure Criteria. Also, when tested as per the dynamic specifications of 95/27EC, the respective operator sound pressure level is 72 dB(A).

As manufactured by Caterpillar, this machine's exterior sound power level meets the criteria spelled out in the European Directives noted on the certificate of conformance and the accompanying labeling. The exterior sound pressure for the standard machine measured per the standard SAE J88 JUN86, mid-gear-moving mode, is 74 dB(A).

Service Refill Capacities

	L	Gallons
Fuel tank	150	39.6
Cooling system	22	5.8
Crankcase	7	1.8
Transfer Gearbox:		
std. speed version	2.5	.7
high speed version	4.0	1.1
Differentials and final drives		
front	15	4
rear	15	4
Hydraulic system (including tank)	100	26.4
Hydraulic tank	70	18.5

Tires

Tubeless, nylon, loader design tires.

Choice of

- 15.5 - 25, 12PR (L-2).
- 15.5 - 25, 12PR (L-3).
- 15.5 - R25, radial (L-2 equivalent).
- 15.5 - R25, radial (L-3 equivalent).
- 17.5 - 25, 12 PR (L-2).
- 17.5 - 25, 12 PR (L-3).
- 17.5 - R25, radial (L-2 equivalent).
- 17.5 - R25, radial (L-3 equivalent).
- 17.5 - R25, radial (L-2/L-3 equivalent).

Note

In certain applications (such as load-and-carry work) the loader's productive capabilities might exceed the tires' tonnes-km/h (ton-MPH) capabilities. Caterpillar recommends that you consult a tire supplier to evaluate all conditions before selecting a tire model.

Attachment Controls

Pilot-operated lift and tilt circuits.

Lift circuit features

- four positions: raise, hold, lower and float.
- can adjust automatic kickout from horizontal to full lift.

Tilt circuit features

- three positions: tilt back, hold and dump.
- can adjust automatic bucket/attachment positioner to desired loading angle.
- does not require visual spotting.
- two-position selector for return-to-work angle with bucket or forks.

Controls

- low effort single-lever control of lift and tilt circuits.
- standard third valve with individual lever control operates quick coupler.
- third and fourth function hydraulic circuits available for use with special attachments.
- controls can be locked for roading.

Steering

Full hydraulic power steering. Meets ISO 5010-1992, SAE J1511-OCT90.

Ratings

Minimum turning radius (over tire)	4748 mm (15' 7")
Steering angle, each direction	40°
Steering cylinders, two bore	63.5 mm (2.5 in.)
Hydraulic output at 2200 RPM and 6900 kPa (1000 psi)	57 liters/min (15.1 gpm)
Relief valve setting	21 700 kPa (3147 psi)

Features

- center-point frame articulation.
- front and rear wheels track.
- dedicated fixed displacement steering pump provides flow at all engine and ground speeds.
- adjustable steering column.
- high-impact rubber steering stops.
- secondary steering system available to meet roading regulations in various countries, and to meet ISO 5010.

Engine Enclosure Hood

One-piece engine enclosure hood.

Provides open access to many service points. The hood is manufactured with a state-of-the-art material, Dicyclopentadiene (DCPD), which provides an excellent combination of impact resistance and durability.

The curved design of the engine enclosure provides unparalleled rear visibility as well as modern styling to the machine appearance.

Features

- impact resistant, rustproof.
- lockable latch.
- modern, stylish appearance.
- pneumatically-assisted struts.
- repairable.

Operating Specifications

		General Purpose Buckets						Penetration Buckets
		With Bolt-On Cutting Edge		With Bolt-On Teeth		With Bolt-On Teeth, Segments		With Flush Mounted Teeth
Rated bucket capacity (§)	m ³	1.3	1.4	1.2	1.3	1.3	1.4	1.3
	yd ³	1.7	1.8	1.6	1.7	1.7	1.8	1.7
Struck capacity (§)	m ³	1.1	1.2	1.0	1.1	1.1	1.2	1.1
	yd ³	1.4	1.5	1.3	1.5	1.4	1.5	1.5
Width	mm	2401	2401	2424	2424	2424	2424	2434
	ft/in	7'10.5"	7'10.5"	7'11.4"	7'11.4"	7'11.4"	7'11.4"	7'11.8"
Dump clearance at full lift and 45° discharge (§)	mm	2921	2886	2977	2942	2930	2895	2942
	ft/in	9' 7"	9' 6"	9' 9"	9' 8"	9' 7"	9' 6"	9' 8"
Reach at full lift and 45° discharge (§)	mm	787	823	757	792	779	814	792
	ft/in	2' 7"	2' 8"	2' 6"	2' 7"	2' 7"	2' 8"	2' 7"
Reach at 45° discharge and 2130 mm (7' 0") clearance (§)	mm	1426	1443	1351	1368	1375	1390	1380
	ft/in	4' 8"	4' 9"	4' 5"	4' 6"	4' 6"	4' 7"	4' 6"
Reach with lift arms horizontal and bucket level	mm	2151	2201	2090	2140	2139	2189	2140
	ft/in	7' 1"	7' 3"	6' 10"	7' 0"	7' 0"	7' 2"	7' 0"
Digging depth (§)	mm	174	174	155	155	174	174	155
	in	6.9"	6.9"	6.1"	6.1"	6.9"	6.9"	6.1"
Overall length	mm	6424	6474	6506	6556	6524	6574	6554
	ft/in	21' 1"	21' 3"	21' 4"	21' 6"	21' 5"	21' 7"	21' 6"
Overall height with bucket at full raise (§)	mm	4802	4855	4802	4855	4802	4855	4855
	ft/in	15' 9"	15' 11"	15' 9"	15' 11"	15' 9"	15' 11"	15' 11"
Loader clearance circle with bucket in carry position	M	10.40	10.42	10.47	10.50	10.47	10.50	10.49
	ft/in	34' 1"	34' 2"	34' 4"	34' 5"	34' 4"	34' 5"	34' 5"
Static tipping load straight* (§)	kg	5541	5495	5637	5589	5503	5456	5605
	lb	12 218	12 116	12 407	12 324	12 134	12 030	12 359
Static tipping load full 40° turn* (§)	kg	4792	4750	4882	4840	4754	4712	4855
	lb	10 566	10 474	10 765	10 672	10 483	10 390	10 705
Breakout force (§)	kg	7865	7435	8456	7965	7920	7481	7979
	lb	17 342	16 394	18 645	17 563	17 464	16 496	17 594
Operating weight*	kg	8032	8044	7990	8003	8063	8076	7990
	lb	17 771	17 737	17 618	17 647	17 779	17 808	17 618

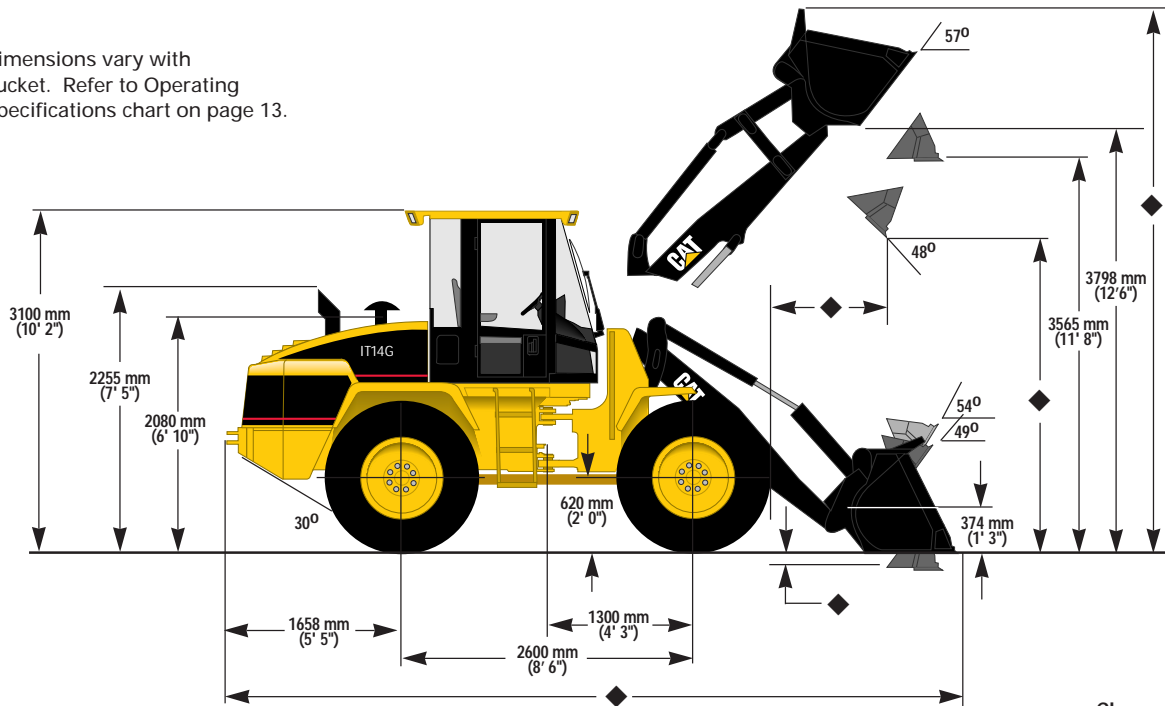
* Static tipping and operating weights shown are for high-speed version IT14G and include lubricants, full fuel tank, ROPS cab, 80 kg (176 lb) operator, standard 250 kg (550 lb) counterweight and 17.5 - R25 (L2 equivalent) tires.

Note: Specifications and ratings conform to all applicable standards recommended by the Society of Automotive Engineers (SAE). SAE Standards J732 JUN92 and J742 FEB85 govern loader rating, denoted in the text by (§).

Dimensions with Bucket

All dimensions are approximate.

◆ Dimensions vary with bucket. Refer to Operating Specifications chart on page 13.



	Tread width		Width over tires		Ground clearance		Change in vertical dimensions	
	mm	inches	mm	inches	mm	inches	mm	inches
15.5 - 25, 12PR (L-2)	1800	70.9	2222	87.5	414	16.3	-42	-1.7
17.5 - R25 (L-2 equivalent)	1800	70.9	2298	90.5	456	18.0	--	--

Supplemental Specifications

	Change in Operating Weight		Change in Articulated Static Tipping Load	
	kg	lb	kg	lb
Air conditioner	+55	+121	+62	+137
Canopy, ROPS (less cab)	-122	-269	-89	-196
Ride control	+28	+62	+5	+11
Powertrain guard	+17	+37	+15	+33
Secondary steering	+30	+66	+38	+84
Tires & rims, 15.5 - 25, 12PR (L-2)	-140	-309	-84	-185
Tires & rims, 15.5 - 25, 12PR (L-3)	-76	-168	-46	-101
Tires & rims, 15.5 - 25, R25 (L-2 equivalent)	-84	-185	-44	-97
Tires & rims, 15.5 - 25, R25 (L-3 equivalent)	-4	-9	-2	-4
Tires & rims, 17.5 - 25, 12 PR (L-2)	-40	-88	-21	-46
Tires & rims, 17.5 - 25, 12 PR (L-3)	+32	+71	+17	+37
Tires & rims, 17.5 - 25, R25 (L-3 equivalent)	+100	+220	+54	+119
Tires & rims, 17.5 - 25, R25 (L-2/L-3 equivalent)	+76	+168	+41	+90

Static tipping load changes are for an IT14G with lubricants, full fuel tank, ROPS cab, 80 kg (176 lb) operator, standard 250 kg (550 lb) counterweight, 17.5 R25 L-2 equivalent tires and a 1.3 cu.m (1.7 cu.yd.) general purpose bucket with bolt-on cutting edge.

Typical material densities-loose

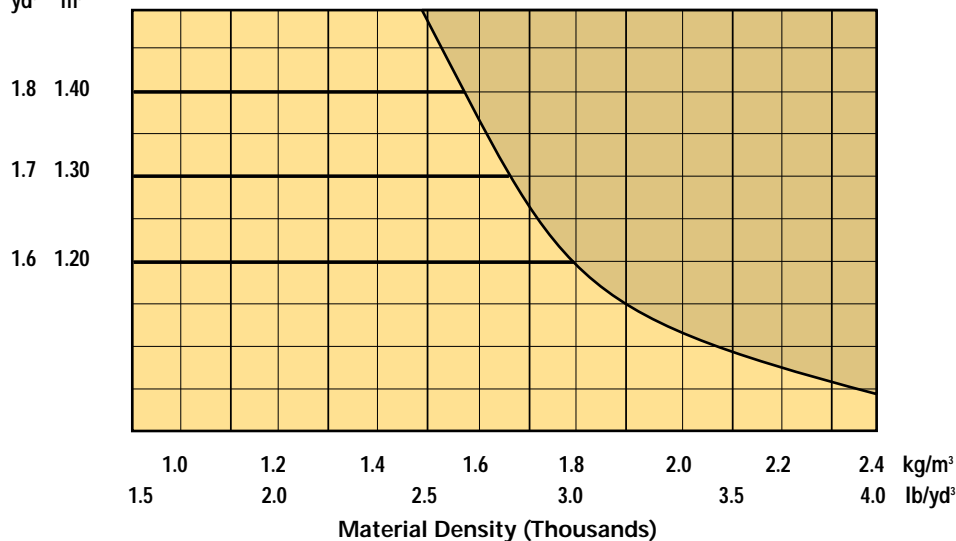
	kg/m ³	lb/yd ³
Basalt	1960	3305
Bauxite, Kaolin	1420	2394
Clay		
natural bed	1660	2799
dry	1480	2495
wet	1660	2799
Clay and gravel		
dry	1420	2394
wet	1540	2596
Decomposed rock		
75% rock, 25% earth	1960	3305
50% rock, 50% earth	1720	2900
25% rock, 75% earth	1570	2647
Earth		
dry, packed	1510	2546
wet, excavated	1600	2698
Granite		
broken	1660	2799
Gravel		
pitrun	1930	3254
dry	1510	2546
dry, 6-50 mm (.2-2")	1690	2849
wet, 6-50 mm (.2-2")	2020	3406

	kg/m ³	lb/yd ³
Gypsum		
broken	1810	3052
crushed	1600	2698
Limestone		
broken	1540	2596
crushed	1540	2596
Sand		
dry, loose	1420	2394
damp	1690	2849
wet	1840	3102
Sand and clay		
loose	1600	2698
Sand and gravel		
dry	1720	2900
wet	2020	3416
Sandstone	1510	2546
Shale	1250	2107
Slag		
broken	1750	2950
Stone		
crushed	1600	2698

Bucket Size Selector

Bucket Capacity

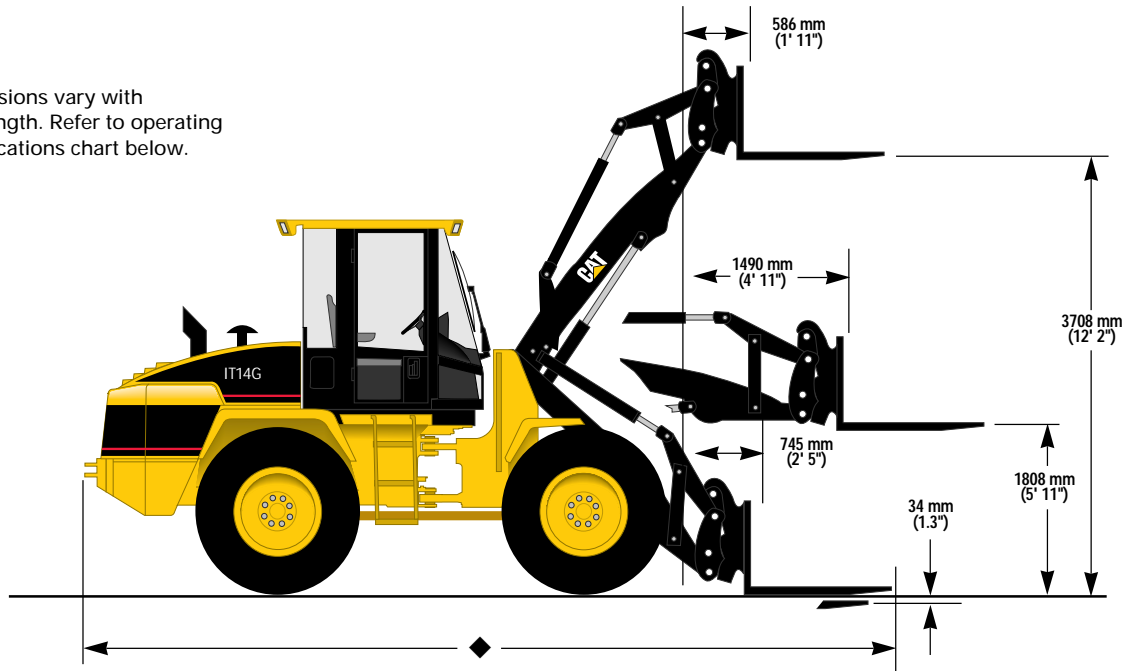
yd³ m³



Dimensions with Forks

All dimensions are approximate.

- ◆ Dimensions vary with fork length. Refer to operating specifications chart below.



Operating Specifications with Forks

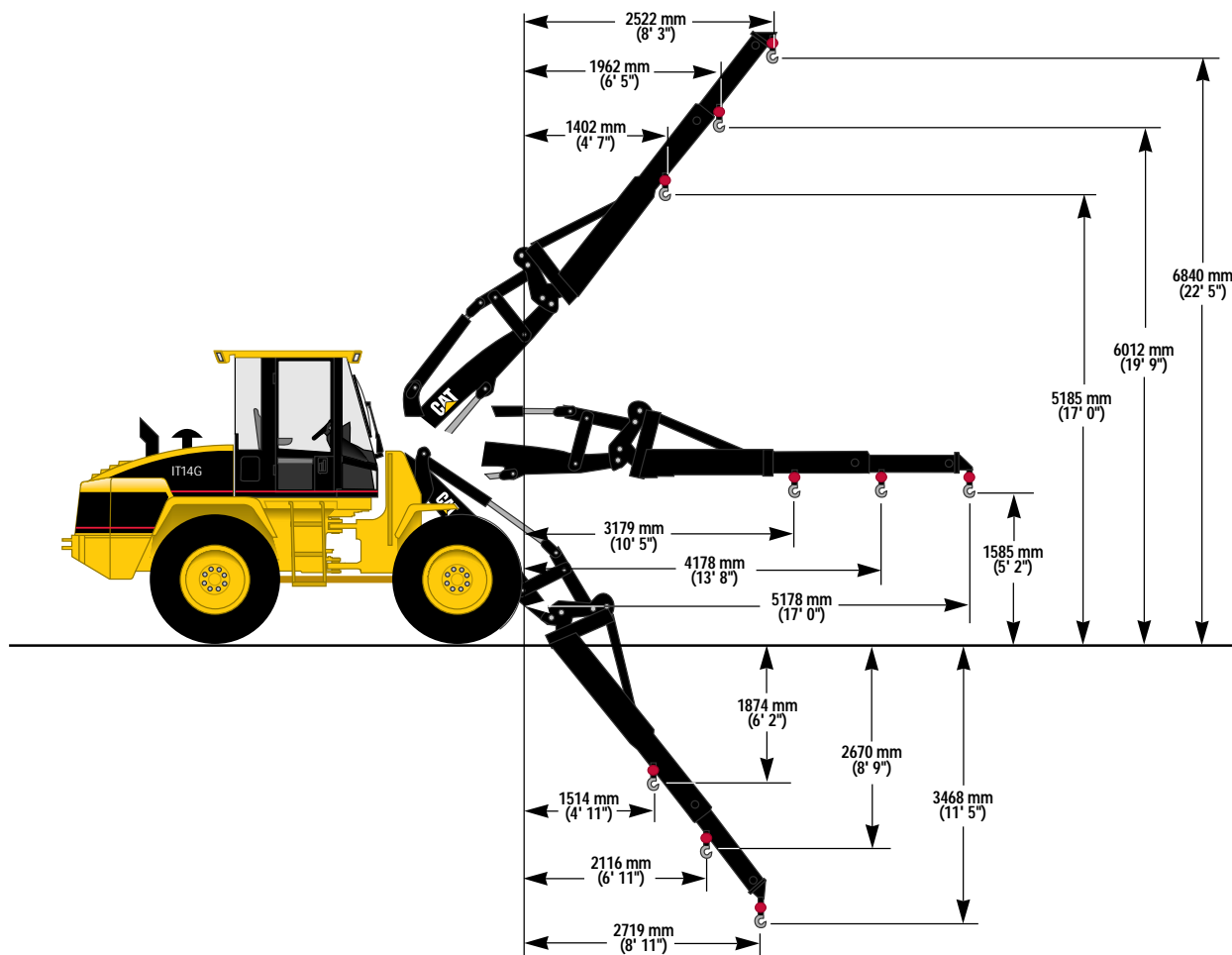
Fork Tine Length	1050 mm (3' 5")	1200 mm (3' 11")	1350 mm (4' 5")
Operating load:			
Per SAE J1197 FEB91 (50% of full turn static tipping load)	1927 kg (4249 lb)	1870 kg (4123 lb)	1810 kg (3991 lb)
Per CEN 474-3, rough terrain (60% of full turn static tipping load)	2312 kg (5098 lb)	2244 kg (4948 lb)	2172 kg (4789 lb)
Per CEN 474-3, firm & level ground (80% of full turn static tipping load)	3082 kg (6796 lb)	2992 kg (6597 lb)	2896 kg (6386 lb)
Overall length	6723 mm (22' 1")	6873 mm (22' 7")	7023 mm (23' 1")
Load center	525 mm (21")	600 mm (24")	675 mm (27")
Static tipping load with level arms and forks, 600 mm (23.6") load center, straight*	4447 kg (9806 lb)	4309 kg (9501 lb)	4179 kg (9215 lb)
Static tipping load with level arms and forks, 600 mm (23.6") load center, full 40° turn*	3853 kg (8,496 lb)	3734 kg (8233 lb)	3620 kg (7982 lb)
Operating weight*	7898 kg (17,415 lb)	7915 kg (17,453 lb)	7928 kg (17,481 lb)

* Static tipping and operating weights shown are for an IT14G with lubricants, full fuel tank, ROPS cab, 80 kg (176 lb) operator, standard 250 kg (550 lb) counterweight and 17.5 R25 (L2 equivalent) tires.

Tipping load is defined by SAE J732 JUN92.

Dimensions with Material Handling Arm

All dimensions are approximate.



Operating Specifications with Material Handling Arm

Material Handling Arm Position	Retracted	Mid-Position	Extended
Operating load at 40° full turn	1370 kg (3021 lb)	1076 kg (2373 lb)	888 kg (1958 lb)
Static tipping load, straight*	3158 kg (6963 lb)	2484 kg (5477 lb)	2051 kg (4522 lb)
Static tipping load, full 40° full turn*	2740 kg (6042 lb)	2153 kg (4747 lb)	1777 kg (3918 lb)
Operating weight*	7770 kg (17,133 lb)	7770 kg (17,133 lb)	7770 kg (17,133 lb)

* Static tipping and operating weights shown include lubricants, full fuel tank, ROPS cab, 80 kg (176 lb) operator, standard 250 kg (550 lb) counterweight and 17.5 - R25 (L2 equivalent) tires.

Note: Machine stability and operating weights are affected by tire size, tire ballast and other attachments.

Standard Equipment

Standard equipment may vary. Consult your Caterpillar dealer for specifics.

Air cleaner, Radial Seal	Horn, front warning (electrical)	Loader linkage, 8-bar parallel design
Alarm, back-up	Hour meter, electric	Muffler
Alternator, 60-amp	Hydraulic control - single lever, pilot (additional lever for quick coupler engage/disengage)	Quick coupler, Caterpillar
Batteries, heavy-duty, 12V, two	Hydraulic oil cooler, tiltable	Radiator, unit core, expansion bottle
Battery disconnect switch	Hydraulic third valve - high flow: - diverter valve	Starting aid, thermal
Brakes:	- quick disconnects	Steering stops, cushioned
Service - inboard, oil-immersed	- hydraulic lines (high flow)	Suction fan
Parking - mechanical on drive line	Implement control lever locks	Switch, key start & stop
Cab, ROPS (sound suppressed and pressurized) with:	Implement positioner, two-position	Tilt steering console
- ground level door release	Indicators:	Transmission, hydrostatic drive, two speed modes (HIGH/LOW)
- heater/defroster	- air cleaner service	Turn signals
- personal storage space	- hydraulic oil level sight gauge	Warning indicators:
- rear view mirrors (2 inside)	Instrumentation:	- parking brake
- seat, adjustable suspension	- engine coolant temperature gauge	- service brake oil pressure
- seat belt (75 mm/3 in.), retractable	- hydraulic oil temperature gauge	- hydraulic oil temperature
- tinted safety glass	- fuel level gauge	- engine oil pressure
- two door cab	- battery voltage gauge	- coolant temperature
- wiper and washer (front/rear) with intermittent control	Lift kickout, automatic	- hydraulic filter bypass
Counterweight, 250 kg (550 lb)	Lift/tilt kickout neutralizer	- alternator
Defroster, rear window, wired glass	Lighting system:	
Differentials, conventional (front/rear)	- brake lights	
Electrical system, 24V	- working lights (halogen):	
Engine, Caterpillar 3054 DIT (Low Emission Configuration)	2 on front tower	
Engine enclosure, lockable	2 on front roof	
Engine fuel priming pump	2 on rear roof	
Fenders (front/rear)		
Hitch, drawbar		

Optional Equipment

Optional equipment may vary. Consult your Caterpillar dealer for specifics.

Air conditioner (R-134a refrigerant)	Lights, auxiliary working	Sliding door window
Bottom guard, hystat motors	Low sound package	Speedometer
Buckets, quick coupler mounted	Mirrors, external (two)	Starting aid, engine coolant heater
Canopy, ROPS	Radio prep packages (12V): (speakers, antenna, converter, mounts)	Steering, secondary
Creeper control, transmission	Remote Forward/Neutral/Reverse	Sun screen, rear window
Differential, Limited Slip	Transmission Control	Tires:
- front axle and/or rear axle	Ride control system	- bias ply, 15.5 - 25 and 17.5 - 25
Drain valves, ecological	Rotating beacon, magnetic	- radial, 15.5 - 25 and 17.5 - 25
Electrical accessories package (12V converter, accessory plug outlet, wiring)	Seats:	Tire rims, 1-and 3-piece
Fenders, roading	- heated, fabric, w/parking brake alarm	Tool box, lockable
Ground engaging tools, bucket	- Caterpillar Contour Series, fabric	Tool kit
Hydraulic fourth valve:	- Caterpillar Contour Series, fabric, air suspension	Visor, sun
- quick disconnects		
- hydraulic lines and control		

IT14G Integrated Toolcarrier



Your Cat Dealer

There is one very important component included with every Caterpillar IT14G Integrated Toolcarrier that no one else can offer: your Cat Dealer.

Whether you have questions about performance, service or financing, your Cat Dealer has the answers. He is dedicated to helping you make the right equipment choice for your requirements.

Plus, your Cat Dealer has most parts you will ever need for your Cat equipment right on the shelf. If not, the Dealer's worldwide computerized network will immediately find the closest location of the part you need, minimizing your downtime.

When you need more details about the IT14G, contact your Cat Dealer. You'll find he's easy to talk to. And he's genuinely interested in talking to you.