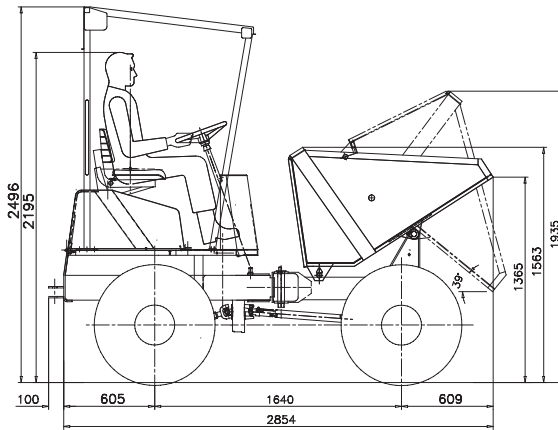
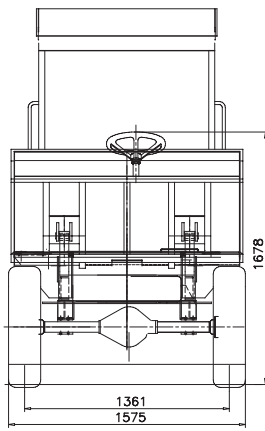


# AJAX FLORI

## ARTICULATED SITE DUMPER

DX 20





- Dump capacity: 2 tons
- Short turning radius: 4 meters
- Articulation angle: 30 degrees
- 4 Wheel drive
- 4 Forward gears and 1 reverse gear
- Narrow width
- Quiet diesel engine

**ENGINE:**

Mitsubishi Shakti water cooled 4 stroke diesel engine - 13.3 kw @2700 rpm (DIN 70020)  
Bharat II Emission Certified

**CHASSIS:**

Articulated, High tensile steel welded "C" type construction.

**TRANSMISSION:**

Mechanical drive with 4 forward and 1 reverse speed gearbox and mechanically activated clutch.  
Electro-hydraulic control for "slow" & "fast" speeds.  
Vehicle speed - 0 to 20 Kmph (forward)  
0 to 4 Kmph (reverse)

**AXLES:**

Self bearing type with end epicycloids reduction gears

**BRAKES**

Power brake with tandem master cylinder.  
Hand operated parking brake by cable.

**ELECTRICAL SYSTEM**

Battery: 12V, 60 Amp-hr.  
Complete lighting & signaling system as per CMVR standards.

**HYDRAULIC SYSTEM**

Gear type pump control in the cylinder to lift the skip body  
Output : 12 lpm  
System pressure : 135 bar  
Cylinder diameter : 66 mm  
Stroke : 390 mm

**STEERING**

Full power hydraulic steering operated through cylinder.

**SKIP**

Heaped capacity : 1480 ltrs  
Struck capacity : 956 ltrs

**SERVICE REFILL CAPACITIES**

Fuel tank : 20 litres  
Hydraulic tank : 20 litres

**WHEEL**

Tyre : 7.50 x 16 - 8 PR  
Rim size : 5.5 x 16

**WEIGHT**

Net vehicle weight : 1650 kgs  
Gross vehicle weight : 3650 kgs



For Sales Queries :

Northern Region : 096500 36628 Eastern Region : 094331 44581  
Southern Region : 098450 58628 Western Region : 099672 63628

**AJAX FIORI ENGINEERING (INDIA) PRIVATE LIMITED**

Joint Venture - FIORI S.p.A. Italy  
148 / 25, Industrial Suburb, Yeshwanthpur, Bangalore - 560 022  
Tel : 080 3921 1000, Fax : 080 2347 1757  
Email : info@ajax-fiori.com, Website: www.ajax-fiori.com

Factory: 3, 16 & 17, KIADB Industrial Area, Bashettihalli, Doddaballapur - 561 203 Tel : 080 3921 6001, Fax : 080 3921 6004