

B50D

ARTICULATED
DUMP TRUCK
6X6

COAL BIN



- Gross Power: 390 kW (523 hp)
- Gross Torque: 2 200 Nm (1,622 lbft)
- Rated Payload: 45 400 (100 090 lbs)

BELL

B50D ARTICULATED DUMP TRUCK COAL BIN 6X6

DUMPING SYSTEM

Two double acting, single stage cylinders
 Raise time 11.2 sec
 Power down time 9.9 sec
 Tipping angle 70° standard or any lower angle programmable

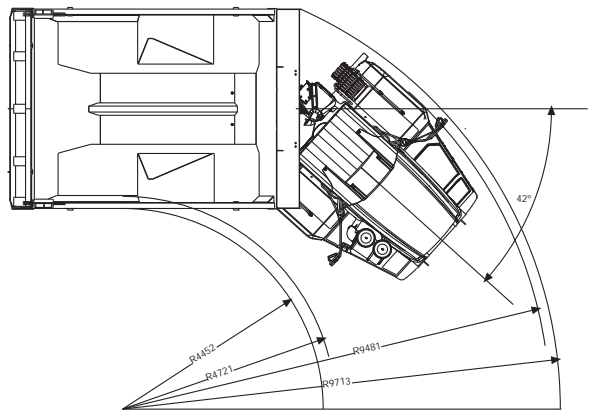
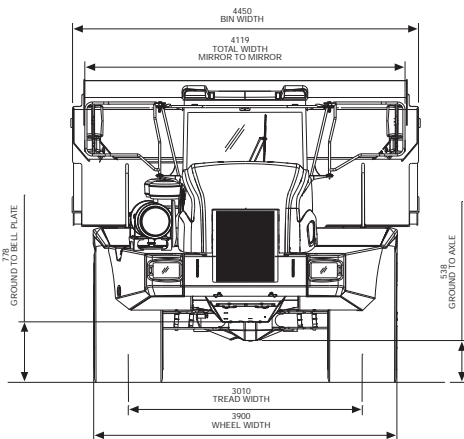
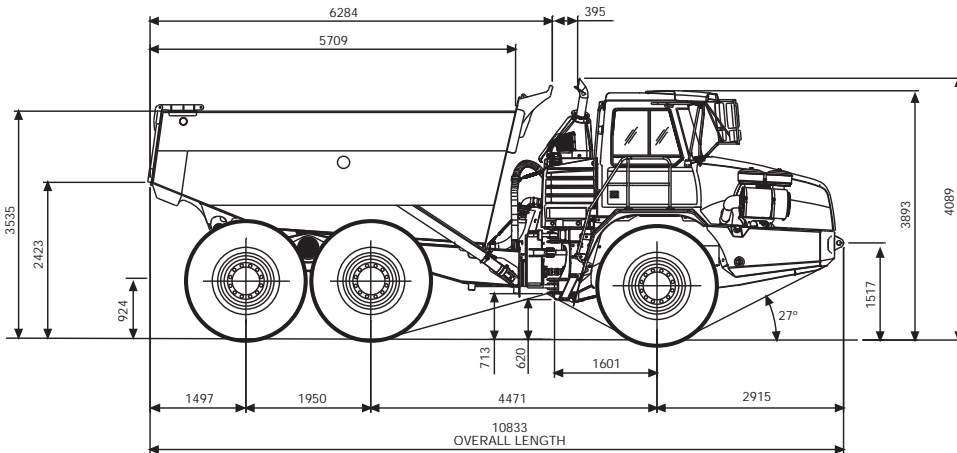
LOAD CAPACITY

STRUCK capacity 33.5 m³ (43.8 yd³)
 SAE 2:1 capacity 42 m³ (55 yd³)
 SAE 1:1 48.1 m³ (63 yd³)
 Rated Payload 45 400 kg (100.090 lbs)

OPERATING WEIGHTS

Unladen	
Front	6 183 kg (35,677 lbs)
Middle	9 399 kg (20,721 lbs)
Rear	8 940 kg (19,709 lbs)
Total	34 521 kg (76,106 lbs)
Laden	
Front	20 284 kg (44,719 lbs)
Middle	30 329 kg (66,863 lbs)
Rear	29 307 kg (64,611 lbs)
Total	79 920 kg (176,193 lbs)

LINE DRAWINGS



BELL SOUTH AFRICA : Tel: +27 (0)11-928 9700 • Fax: +27 (0)11-928 9702
 BELL INTERNATIONAL : Tel: +27 (0)35-907 9431 • Fax: +27 (0)35-797 4336
 E-mail: sales@bellequipment.com • www.bellequipment.com

All dimensions are shown in millimetres, unless otherwise stated between brackets. Under our policy of continuous improvement, we reserve the right to change specifications and design without prior notice. Photographs featured in this brochure may include optional equipment.

Strong Reliable Machines
Strong Reliable Support **BELL**