

B35D 6x6 ARTICULATED DUMP TRUCK Mk VI



Blu@dvantage™

Gross Power: 300 kW (402 hp)
Gross Torque: 2 000 Nm (1 475 lbft)
Rated Payload: 32 500 kg (71 650 lbs)



B35D 6x6 **ARTICULATED DUMP TRUCK** MkVI

ENGINE

Mercedes Benz V6, turbocharged, intercooled, low emission diesel engine with BlueTec[®] technology

Gross power 300 kW (402 hp) @ 1 800 rpm
Net Power 291 kW (390 hp) @ 1 800 rpm
Gross torque 2 000 Nm (1,3475 lbf) @ 1 300 rpm
Net torque 1 940 Nm (1,430 lbf) @ 1 300 rpm

Displacement 11,95 litres (730 cu.in)
Fuel tank capacity 445 litres (118 US gal)
Auxiliary Brake Automatic exhaust brake Engine Valve Brake (EVB)

AdBlue Tank Capacity 40 l (11 US gal)
Certification Mercedes Benz BlueTec[®] OM 501 LA meets Europe (EU) stage 3b emissions regulations

TRANSMISSION

Engine mounted, fully automatic Allison planetary transmission with six forward gears and one reverse gear. Hydrodynamic with lock-up in all gears.

Torque Converter 4500R ORS
Model 4500R ORS
Control Type Electronic

TRANSFER BOX

Remote mounted

Manufacturer VGR
Model 17100
Layout Three in-line helical gears.
Output Differential Interaxle 33/67 proportional differential, Pneumatically lockable whilst stationary or on the move

AXLES

High strength steel fabricated with spiral bevel type gears on the Controlled Traction differential and heavy duty outboard planetary gears.

Model

Bell 25T

BRAKING SYSTEM

SERVICE BRAKES Dual circuit, hydraulically actuated dry disc brakes on all three axles.

Max brake force 193 kN (43,388 lbf)
PARK & EMERGENCY Spring applied, air released driveline mounted disc.

Max brake force 440 kN (98,920 lbf)
AUXILLIARY BRAKE Automatic exhaust brake and Engine Valve Brake (EVB) Variable Adjustable Hydraulic Retarder



Maximum Retardation 447 kW (600 hp)

WHEELS

Earthmover 26.5R25

FRONT SUSPENSION

Semi-independent, leading A-frame supported by nitrogen/oil struts

REAR SUSPENSION

Pivoting walking beams equalize the load on each axle with laminated suspension blocks. Each axle is coupled to the chassis by a Tri-Link system of four rubber-bushed links for ideal vertical movement and a transverse link for lateral restraint.

HYDRAULIC SYSTEM

Variable displacement with load sensing system incorporating a ground driven emergency steering pump.

Flow 300 l/min (79,26 gal/min)
Pressure 25 Mpa (3,626 psi)
Filter 5 micron

STEERING SYSTEM

Hydrostatically actuated by two double acting cylinders, with ground-driven emergency steering pump.

Lock to lock turns 4.7
Steering Angle +-42°

DUMPING SYSTEM

Two double-acting, single stage, dump cylinders

Raise Time 13 s
Lowering Time 7,6 s
Tipping Angle 70°

PNEUMATIC SYSTEM

Air drier with heater and integral unloader valve, serving park brake and auxiliary functions

System Pressure 810 kPa (117 psi)

ELECTRICAL SYSTEM

Voltage 24 V
Battery Type Two maintenance free permanently sealed

Battery Capacity 2 X 105 Ah
Alternator Rating 28 V 100 A

VEHICLE SPEEDS

1st	8	5
2nd	17	10.6
3rd	24	15
4th	37	23
5th	48	30
6th	54	33.8
R	6,3 km/h	3.9 mph

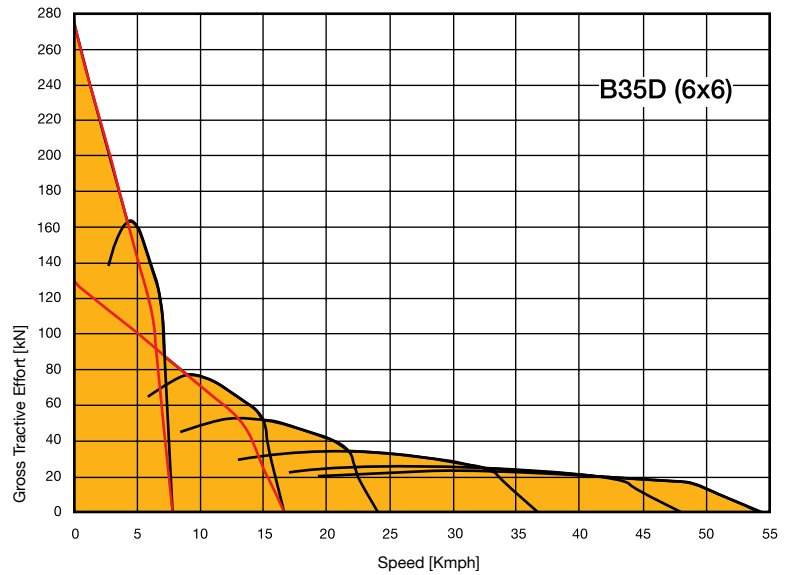
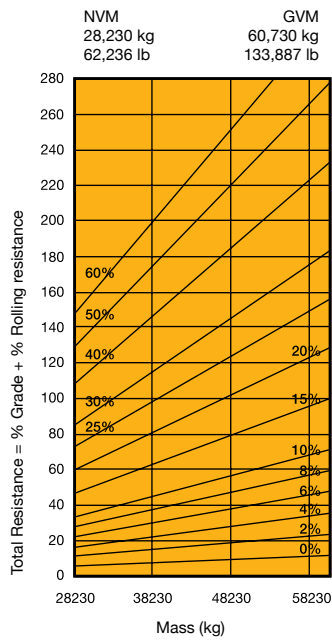


B35D 6x6 ARTICULATED DUMP TRUCK MKVI

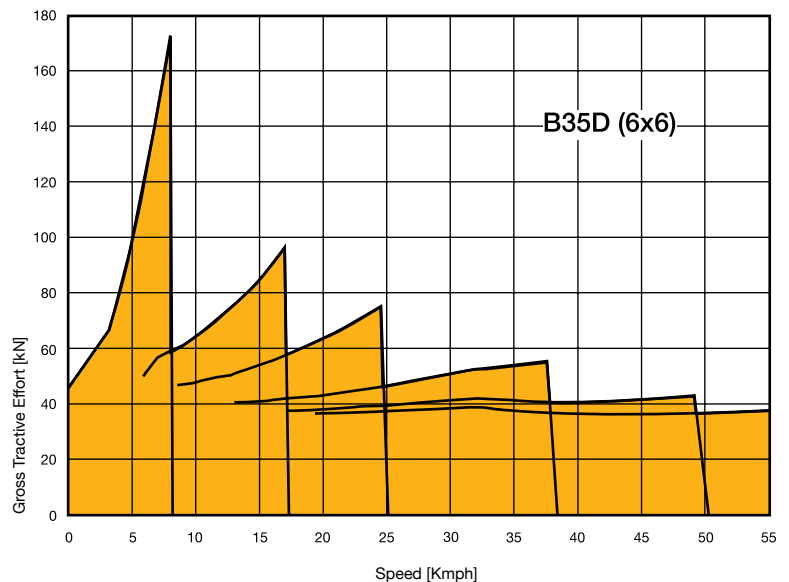
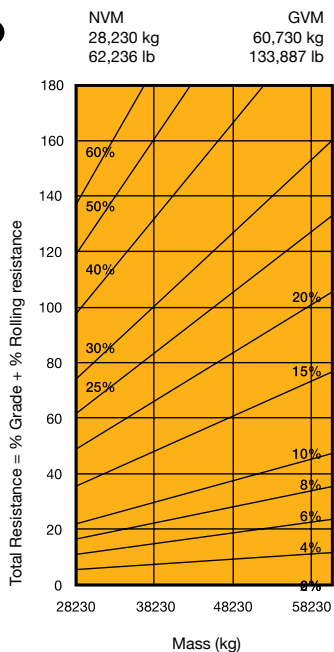
LOAD CAPACITY & GROUND PRESSURE

WEIGHTS			GROUND PRESSURE			LOAD CAPACITY		
UNLADEN	kg	lbs	UNLADEN	kPa	psi	BODY	m³	cu.yd
Front	14,120	31,129	Front	279	15.7	Struck Capacity	16	20.9
Middle	7,060	15,565	Middle	240	8.4	SAE 2:1 Capacity	20,5	26.8
Rear	7,050	15,543	Rear	240	8.4	SAE 1:1 Capacity	24,5	32
Total	28,230	62,236				SAE 2:1 Capacity with Autogate	21	27.4
LADEN			LADEN					
Front	18,350	40,455	Front	303	44			
Middle	21,195	46,727	Middle	336	48.7	Rated Payload	32,500 kg	71,650 lbs
Rear	21,185	46,705	Rear	336	48.7			
Total	60,730	133,887						

GRADEABILITY/RIMPULL

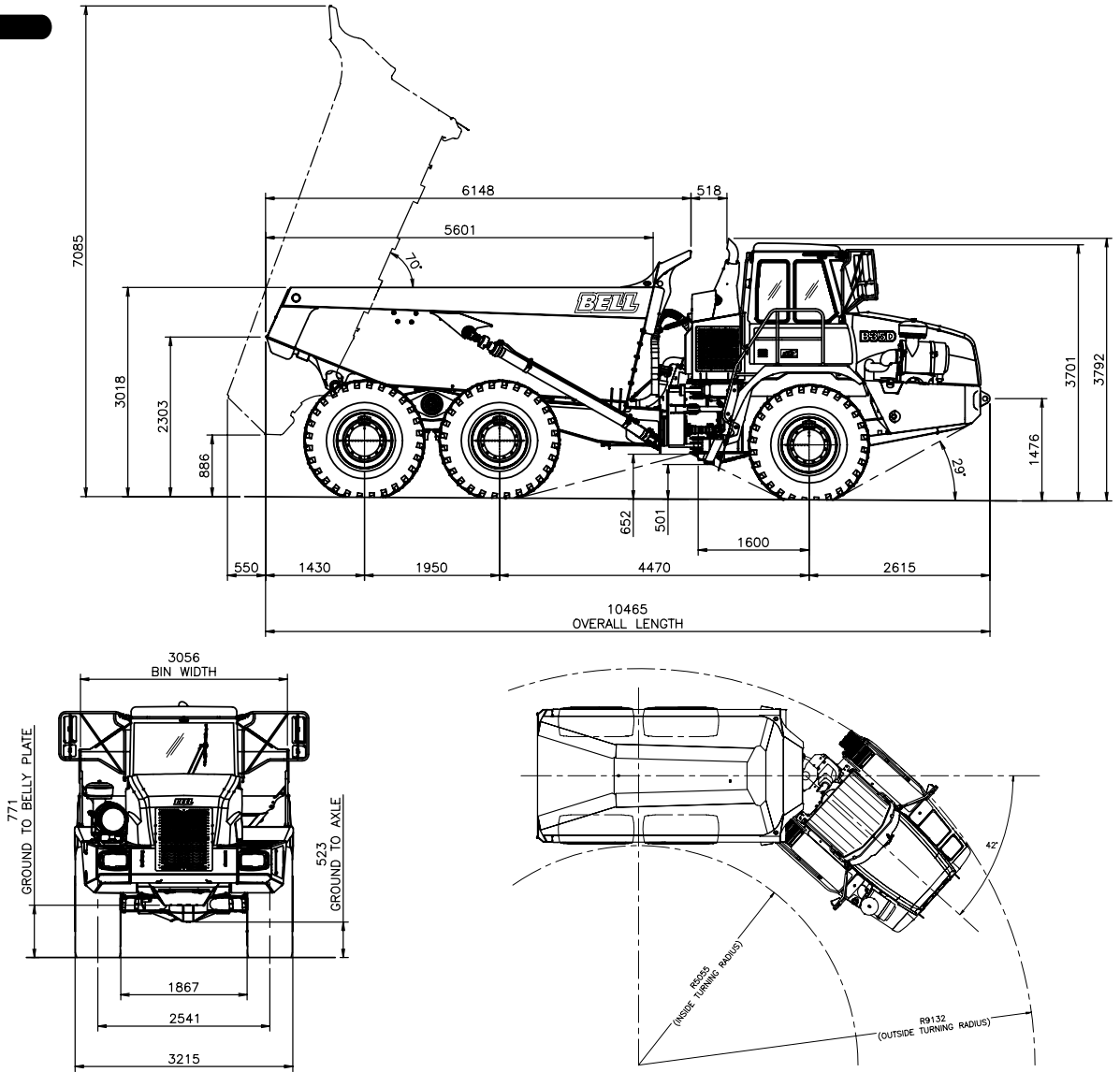


RETARDATION



B35D 6x6 ARTICULATED DUMP TRUCK MkVI

DIMENSIONS



B35D 6x6 ARTICULATED DUMP TRUCK Mk VI

AVAILABLE EQUIPMENT*

Cab

- ROPS/FOPS certification
- Protective rear window guard
- Tilt cab for service access
- Gas strut supported door
- Tinted safety glass
- Sliding windows
- Rear view mirrors- regular and wide angle
- Electrically adjustable rearview mirrors - one per side
- Sun visor
- Wiper/washer with intermittent control
- Tilt and telescoping steering wheel
- Adjustable, air suspension seat with retractable seat belt
- Fold-away trainer seat with retractable seat belt
- HVAC climate control system with filtered and ducted air
- Rotating beacon
- 12 V power outlet/12 V cigarette lighter
- Ash tray
- Drinks holder
- Cooled/heated lunch box
- I-Tip programmable bin tip
- Sound insulated to 76 dB(A) to ISO 6396
- Radio/CD/Tape
- Memory Module
- Air horn

MDU Features

- Operator / Site selected speed control
- Tipping counter
- Trip timer
- Trip distance
- On Board Weigh System (OBW)
- Transmission gear selection
- Fuel Consumption
- Diagnostics
- Intermittent wiper timing control
- Speedo calibration for alternative tyre sizes

Gauges

- Metric /Imperial unit selection
- Warning lights with audible buzzer

- Engine coolant temperature
- Engine oil pressure
- Transmission oil temperature
- Fuel
- Tachometer
- Battery voltage
- Hourmeter
- Odometer
- System air pressure

Vehicle

- Ground driven emergency steering
- Bin safety prop
- Articulation lock
- Integral transmission output retarder with 6 settings

Other

- (Factory or field installed)
- Groeneveld auto greasing system
 - Retractable sun visor
 - Exhaust body heating
 - Autogate
 - Body liners
 - Fleetmatic Satellite Monitoring System
 - Driver ID and immobiliser
 - Forward working lights
 - Artic reverse light
 - Fuel heater
 - External windshield visor
 - Headlight protection grills
 - Rear window wiper
 - Antenna mounting bracket
 - System for reverse camera
 - Wiggins quick fuelling system
 - Comfort ride suspension system
 - Tyre pressure monitoring
 - Full handrail kit

*standard specification for machines may vary according to region



B35D 6x6 ARTICULATED DUMP TRUCK MKVI

- The exclusive on-board weighing option presents the operator with real time information on the payload while the machine is being loaded. A 'limp home' mode can also be activated if the machine is significantly over-loaded.



- The park brake automatically applies when neutral is selected and it is not possible to engage neutral at speed. Torque dependent park brake release (hill assist) ensures no roll back on slopes.



- The incorporation of a Pitch and Roll sensor in the vehicle allows the bin to not be operated if the truck is in an unsafe position.



- Full hand-rails kit can be installed to provide even more safety when performing engine checks.



- Keyless start, driver identity, and access codes ensures no unauthorized operation of your equipment.



- Both operator or site selectable maximum speed control allows the vehicle to automatically de-accelerate and apply the retarder to prevent onsite speeding.



- Reverse cameras are available for factory or on site fitment ensuring full view when reversing.



- Optional Tyre pressure - monitoring System ensures that the operator has real time information on all tyres pressure and temperature conditions.



- The best in class retarder and engine braking automatically applies when the operator lifts his foot off the accelerator. Retarder aggressiveness can be simply adjusted on the sealed switch module ensuring maximum descent control for all conditions.

- All trucks can be set up to automatically sound the horn when starting or switching between forward and reverse.

CablePrice (NZ) Ltd
3 Tunnel Grove, Petone
Wellington, New Zealand

Phone: 0800 555 456

Email: sales@cableprice.co.nz | www.cableprice.co.nz

All dimensions are shown in millimetres, unless otherwise stated between brackets. Under our policy of continuous improvement, we reserve the right to change specifications and design without prior notice. Photographs featured in this brochure may include optional equipment.

BlueTec® is a registered trademark of Daimler AG
Blu@dvantage™ is a trademark of Bell Equipment Co. (PTY) Ltd

Strong Reliable Machines
Strong Reliable Support

BELL