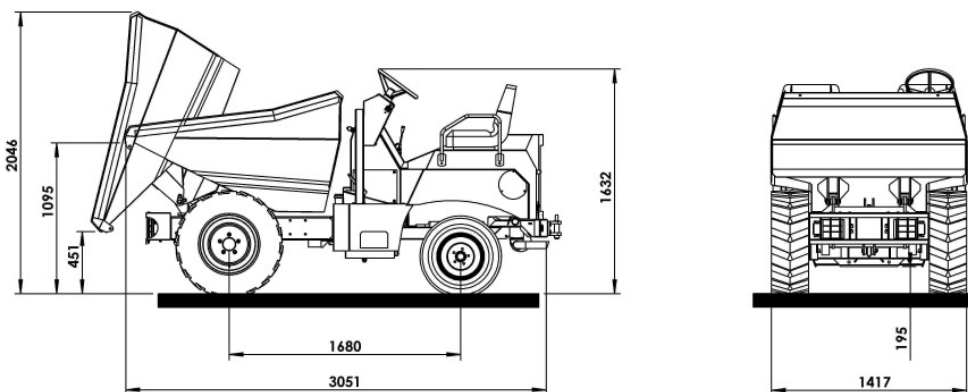


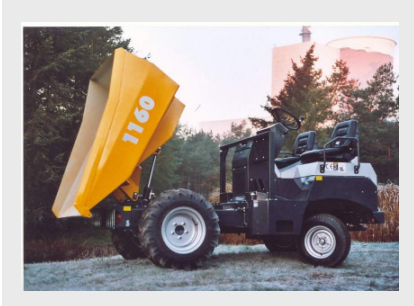
Bergmann Dumper 1160 front tip



Strong arguments for your advantage

- ▶ high stability by oscillating axle
- ▶ hydrostatic drive 0–23 km/h
- ▶ hydraulic park brake
- ▶ type test approval by TBG





Bergmann Dumper 1160 front tip

Technical Data

Weight/ bucket capacity	Payload	1.600 kg
	Unladen weight	1.320 kg
	Struck level	800 L
	Heaped	1,2 m ³
	Bucket system	Hydraulic front tip bucket
Dimensions	Total height with protection bar	2.100 mm
	Total height without protection bar	1.630 mm
	Total length	3.050 mm
	Total width	1.420 mm
	Ground clearance	195 mm
Transmission	Hydrostatic front-drive over two wheel engines 0-23 km/h multistage	
Steering	Hydraulic rear wheel steering with emergency steering	
Axles / Brakes	Front axle rigid, rear axle oscillating stored +/- 12°, maintenance-free-oil-bath multi-disc brake with automatic adjustment in the wheel engines, hydraulically applied locking brake acting on front wheels.	
Engine	3 cylinder Kubota Diesel engine -water cooled- Output power 18,5 KW at 2.800 rpm.	
Tyres	Standard,	front:10,0/75-15.3 rear:23x8,5-12
Tank capacity	Fuel 25 L Hydraulic oil 32 L	
Electrics	12V electrical installation with main switch, control panel for engine water temperature, fuel and service hour meter, control lamps for motor oil; park brake, direction indicator, battery charging control, horn	
Standard Equipment	Driver's seat adjustable, tow-bar coupling, lighting system according to German traffic regulations, bucket from abrasion-proof fine-grain steel, differential lock, EC type test approval, EC declaration of conformity, operator's manual / spare parts list	