

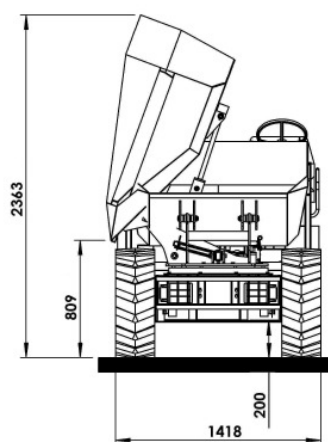
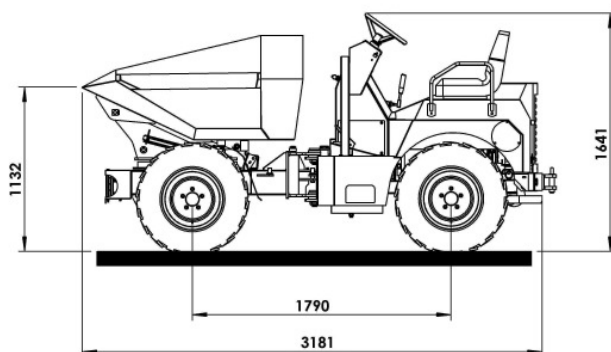
Bergmann Dumper

1200 swivel tip



Strong arguments for your advantage

- ▶ high stability by oscillating axle
- ▶ compact dimensions
- ▶ hydraulic park brake
- ▶ type test approval by TBG





Bergmann Dumper 1200 swivel tip

Technical Data

Weight/ bucket capacity	Payload	2.000 kg
	Unladen weight	1.480 kg
	Struck level	900 L
	Heaped	1,3 m ³
	Bucket system	hydraulically swivelling and tipping bucket by 180°
Dimensions	Total height with protection bar	2.250 mm
	Total height without protection bar	1.640 mm
	Total length	3.180 mm
	Total width	1.420 mm
	Ground clearance	200 mm
Transmission	Hydrostatic 4-wheel-drive over 4 wheel engines Twin-lock control 0-23 km/h multistage	
Steering	Hydraulic articulated steering with emergency steering Steering angle 35° to each side	
Axles / Brakes	Front axle rigid, rear axle oscillating stored +/- 12°, maintenance-free-oil-bath multi-disc brake with automatic adjustment in the wheel engines of the front axle, hydraulically applied locking brake acting on front wheels.	
Engine	3 cylinder Kubota Diesel engine –water cooled– Output power 18,5 KW at 2.800 rpm.	
Tyres	Standard, 10,0/75-15.3 AS Profil	
Tank capacity	Fuel 25 L Hydraulic oil 32 L	
Electrics	12V electrical installation with main switch, control panel for engine water temperature, fuel and service hour meter, control lamps for motor oil; park brake, direction indicator, battery charging control, horn	
Standard Equipment	Driver's seat adjustable, tow-bar coupling, lighting system according to German traffic regulations, bucket from abrasion-proof fine-grain steel, differential lock, EC type test approval, EC declaration of conformity, operator's manual / spare parts list	