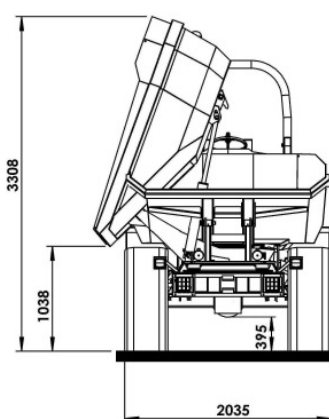
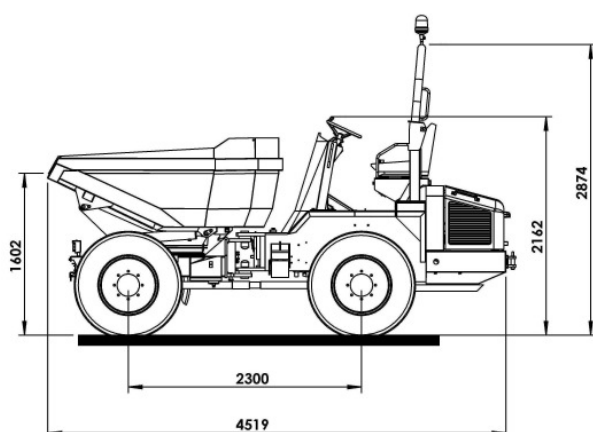


Bergmann Dumper 2060 swivel tip



Strong arguments for your advantage

- ▶ high stability by oscillating axle
- ▶ hydraulic park brake
- ▶ instrument board lowerable and lockable
- ▶ type test approval by TBG





Bergmann Dumper 2060 swivel tip

Technical Data

| | | |
|--------------------------------|--|---|
| Weight/ bucket capacity | Payload | 6.000 kg |
| | Unladen weight | 3.975 kg |
| | Struck level | 2.450 L |
| | Heaped | 3,5 m ³ |
| | Bucket system | hydraulically swivelling and tipping bucket by 180° |
| Dimensions | Total height with protection bar | 2.870 mm |
| | Total height without protection bar | 2.160 mm |
| | Total length | 4.520 mm |
| | Total width | 2.035 mm |
| | Ground clearance | 395 mm |
| Transmission | Hydrostatic 4-wheel-drive with automotive control | |
| | speed I: | 0-10 km/h |
| | speed II: | 0-24 km/h |
| Steering | Hydraulic articulated steering acting over priority flow Steering angle 40° to each side | |
| Axles / Brakes | Front axle rigid, rear axle oscillating stored +/- 12°, maintenance-free-oil-bath multi-disc brake with automatic adjustment in the front axle, hydraulically applied locking brake acting over articulated shaft on front and rear axle. | |
| Engine | 4 cylinder Kubota Diesel engine –water cooled– Output power 58,8 KW at 2.600 rpm. | |
| Tyres | Standard, 405/70 R20 AS Profil | |
| Tank capacity | Fuel 54 L Hydraulic oil 40 L | |
| Electrics | 12V electrical installation with main switch, control panel for engine water temperature, fuel and service hour meter, control lamps for motor oil; park brake, direction indicator, battery charging control, hydraulic filter, display for drive position | |
| Standard Equipment | Hydro sprung seat adjustable and collapsible, instrument panel lowerable and lockable with ignition key, tow-bar coupling, lighting system according to German traffic regulations, bucket from abrasion-proof fine-grain steel, EC type test approval, EC declaration of conformity, operator's manual / spare parts list | |