

Articulated Dump Truck

TA 240
Litronic®

Empty Vehicle Weight:	34,300 kg
Engine Output:	350 kW / 476 HP
Max. Dump Body Capacity:	26.0 m ³
Payload:	40,000 kg



LIEBHERR

Technical Data



Engine

Rating per ISO 9249	350 kW (467 HP) at 1,900 RPM
Max. torque	2,500 Nm at 1,300 RPM
Model	Liebherr D 9508 A7 SCR/stage IIIB/Tier 4i
Type	8 cylinder V-engine
Displacement	16.2 l
Engine operation	electronic direct injection turbo-charged and after-cooler reduced emissions
Harmful emissions values	in accordance with 97/68/EG stage IIIB/EPA/CARB Tier 4i
Cooling system	fan variably adjustable hydrostatically driven and temperature regulated
Air filter	dry air filter with precleaner, main and safety element (2 pieces)
Electrical system	
Operating voltage	24 V
Battery	2 x 170 Ah/12 V
Alternator	2 x 3-phase generator 28 V/140 A
Starter	8.4 kW



Drive Train

Transmission	electronically controlled, automatic powershift transmission, torque converter with lock-up clutch, 8 gears forward, 4 gears reverse, integrated distributor gear with powershift lateral differential
Speeds	57 km/h forward 16 km/h backwards
Drive train	6 x 6 standard drive train with powershift lateral differential, powershiftable transverse differential on all axles



Axles

Front axle	independent suspension with hydro pneumatic cushioning cylinders, powershiftable trans- verse differential, 100 % locking effect
Rear axles	heavy duty axles with powershiftable trans- verse differentials, 100 % locking effect
Gear ratio	planetary gears in the wheel hubs



Brakes

Retarder	retarder function consisting of engine brake and transmission retarder, variable adjust- ment, acting upon all wheels
Operating brake	2 circuit, hydraulically operated, oil cooled wet disc brake acting on front and middle axle
Parking brake	spring applied disc brake acting upon the driveshaft of rear axles (hydraulically releasable)



Steering

Design	hydraulic, 2 dual acting cylinders, combined articulated and oscillating joint with Liebherr ball bearing ring
Steering angle	± 45°
Steering wheel turns from stop to stop	4.5



Tires

Standard tires	29.5 R25
Design	earthmoving radial, tubeless
Option	wide and rock tires



Hydraulic System

Hydraulic circuit	on-demand flow control, engine driven axial piston pump, wheel driven piston pump for emergency steering
Max. flow	344 l/min.
Max. operating pressure	250 bar
Operation	
Dumping	dump body operating lever with automatic engine rpm increase
Retarder	variably adjustable hand lever, retarder adjustment preselectable, gas pedal overrides retarder
Transmission	automatic mode, gear preselection, manual shift possible
Filtration	return filter, 12 µm



Operator's Cab

Cab	elastic suspension, closed pressure ventila- tion, electro-hydraulically tiltable by 45° to the back, integrated ROPS/FOPS structure, tinted safety glass, wiper/washing system with inter- val operation for front window, sound isolated, telescopic and horizontally adjustable steering column, sliding window left and right, fresh air filter with prefilter, additional recirculated air filter, exterior mirror and front window heater
Operator's seat Comfort	air cushioned operator's seat with headrest, lap belt, automatic weight adjustment, length- wise and crosswise horizontal suspension, adjustable seat cushion inclination and length and mechanical lumbar vertebrae support
Operator's seat Premium (Option)	in addition to operator's seat comfort: seat heater, passive seat climatization, pneumatic lumbar vertebrae support
Ventilation	heater and air conditioning, pressure ventila- tion with fresh air intake and filtration, variable fan
Heating	warm water heater, defrost function for front and side windows



Filling Quantities

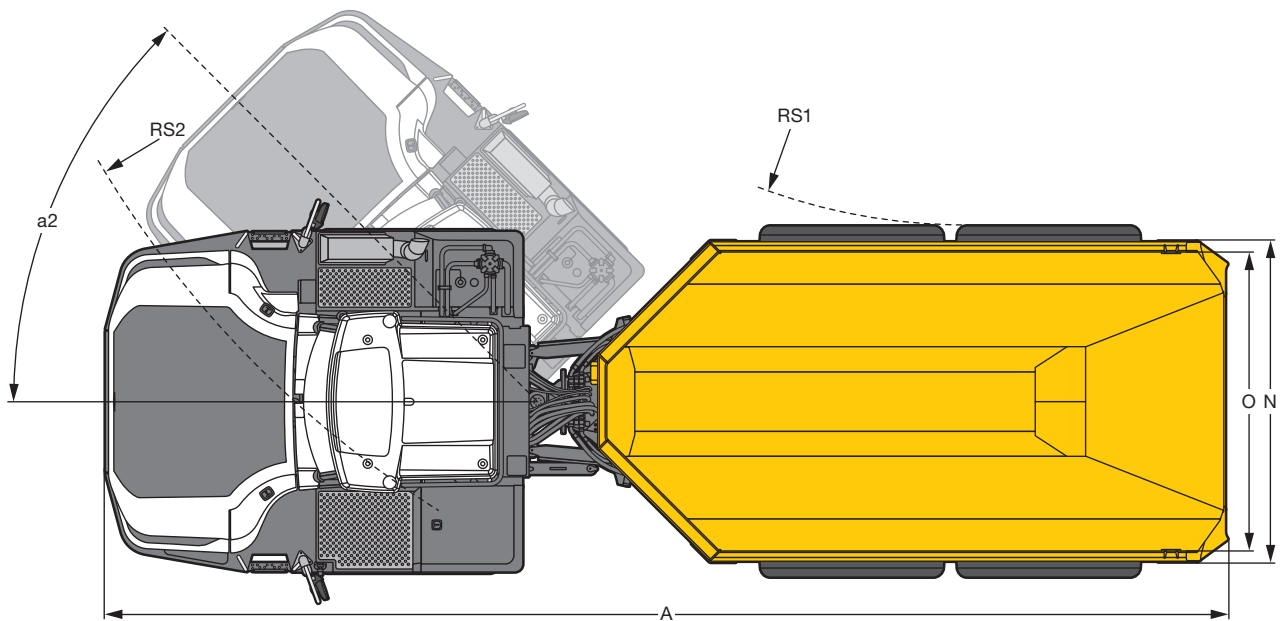
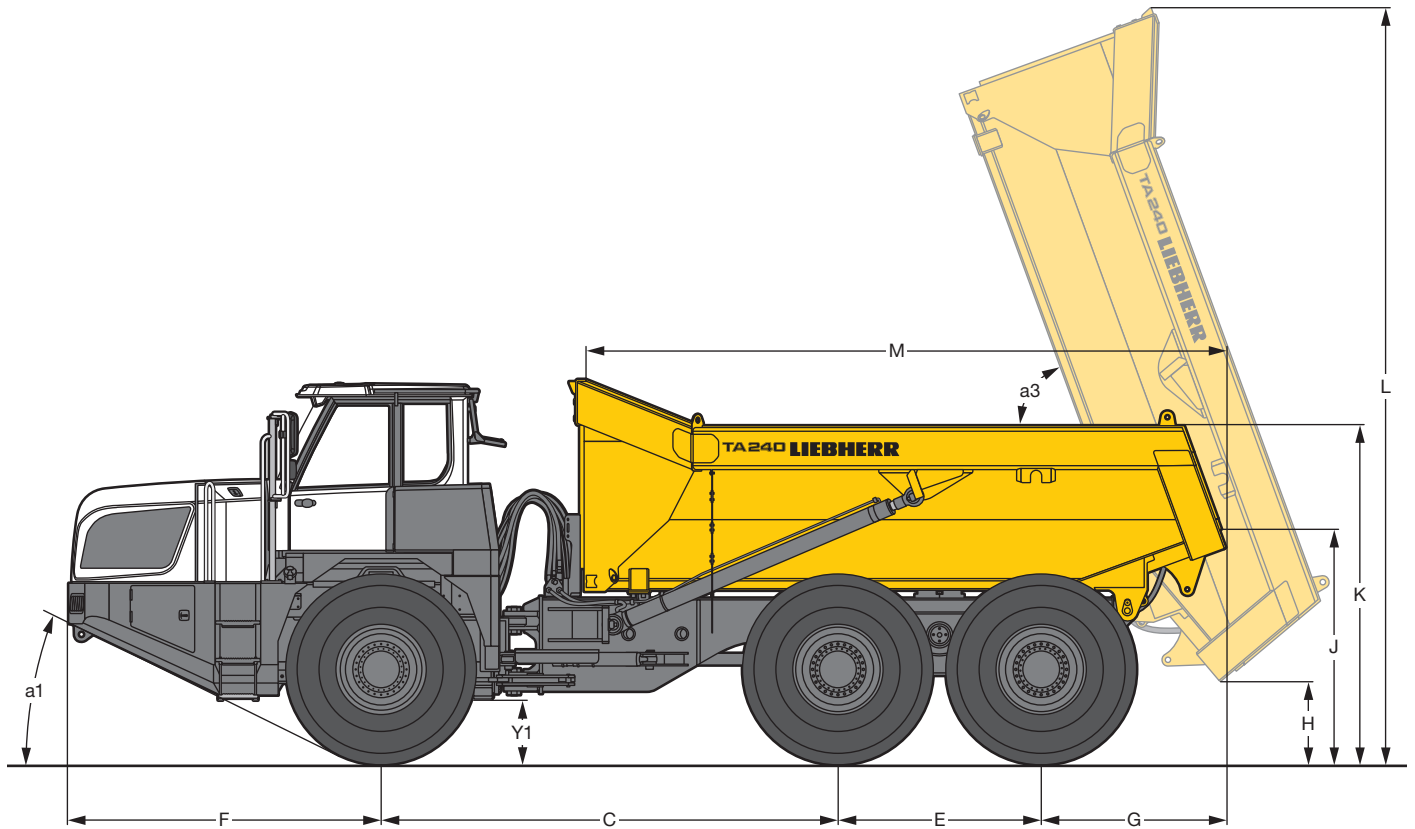
Fuel tank capacity	600 l
Urea tank capacity	60 l
Cooling system	130 l
Engine oil (incl. filter)	65 l
Hydraulic tank capacity	330 l
Cooling oil tank brake	80 l
Transmission	60 l
Wheel hub each	5 l
Axles	58 l
Differential	18 l



Dump Body Capacity

Volume	
swept	18.8 m ³
stacked 2:1	24.5 m ³ according to ISO 6483
with flap swept	19.5 m ³
with flap stacked 2:1	26.0 m ³ according to ISO 6483
Payload	40,000 kg
Dumping time	12 s
Lowering time	8 s
Dump angle	70°

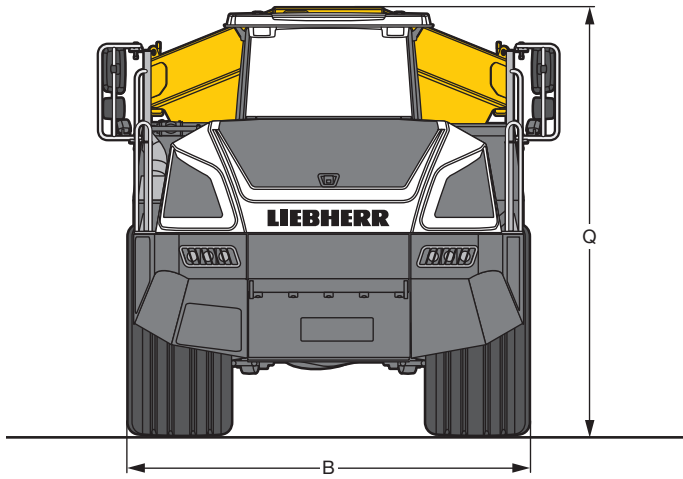
Dimensions



	mm
A	11,345
C	4,500
E	2,000
F	3,075
G	1,770
H	678
J	2,224
K	3,228
L	7,315
M	6,262

	mm
N	3,255
O	3,040
RS1	4,259
RS2	9,184
Y1	540
a1	25°
a2	45°
a3	70°

Dimensions



	mm
B	3,490
Q	3,643

Equipment



Vehicle

Dual-circuit braking system	•
Steps on front carriage	•
Tires 29.5 R25	•
Tires wide base 875/65 R29	+
Tires rock 29.5 R25	+
Fire protection system	+
Cabine tiltable electro-hydraulically to the back	•
Low temperature equipment (-25 °C)	+
Low temperature equipment (-40 °C)	+
Articulating lock	•
Wet disk brakes	•
Liebherr hydraulic oil from -20 °C to +40 °C	•
Liebherr hydraulic oil, specially for warm or cold regions	+
Engine hood opening electro-hydraulically	•
Dump body heating	+
Dump body flap	+
Dump body safety support	•
Transverse differentials self-locking	•
Retarder function highly effective, consisting of a combination of engine brake and transmission retarder	•
Retarder function variably adjustable, overridable by the gas pedal	•
Back-up alarm acoustic	•
Rear-view mirrors electrically adjustable and heatable	•
Rear-view mirror standard and wide angle	•
Special coating	+
Standard 6 x 6 drive train with powershiftable lateral differential between front axle and rear axle and between axle 2 and axle 3	•
Overflow protection (screw-on)	+
Wear protection for dump body	+
Electronic immobilizer	•
Weighing device	+
Automatically central lubrication system	+



Operator's Cab

Storage compartment	•
Analog instruments for speed, rpm, fuel tank, coolant temperature at multifunctional display	•
Cab lights rear, halogen	+
Cab lights front, halogen	•
Ventilation system pressure cabine for special applications	+
On-board computer with multifunctional display	•
Operator's seat Comfort	•
Operator's seat Premium	+
Fire extinguisher	+
FOPS cab protection	•
Bottle holder small and large	•
Rubber floor mat, removable	•
Dome light	•
Coat hook	•
Air conditioner	•
Electric cooler	+
LiDAT Plus (extended Liebherr data transfer system)*	•
Radio Comfort	+
Preparation for radio installation	•
ROPS cab protection	•
Rear view monitoring with camera**	•
Double warning beacon on cab	+
Window heater front window	•
Sliding window front left and right	•
Front guard rear window	•
Sun blind	•
Auxiliary heating, adjustable (week time switch)	+
Additional power socket 12 V	•
Additional power socket 24 V	•
Trainer seat with automatic seat belt	•
Cigarette lighter and ashtray	•

• = Standard, + = Option

* = optionally extendable after one year, ** = country-dependent

Options and/or special attachments, supplied by vendors other than Liebherr, are only to be installed with the knowledge and approval of Liebherr in order to retain warranty.

The Liebherr Group of Companies



Wide Product Range

The Liebherr Group is one of the largest construction equipment manufacturers in the world. Liebherr's high-value products and services enjoy a high reputation in many other fields. The wide range includes domestic appliances, aerospace and transportation systems, machine tools and maritime cranes.

Exceptional Customer Benefit

Every product line provides a complete range of models in many different versions. With both their technical excellence and acknowledged quality, Liebherr products offer a maximum of customer benefits in practical application.

State-of-the-art Technology

To provide consistent, top quality products, Liebherr attaches great importance to each product area, its components and core technologies. Important modules and components are developed and manufactured in-house, for instance the entire drive and control technology for construction equipment.

Worldwide and Independent

Hans Liebherr founded the Liebherr family company in 1949. Since that time, the enterprise has steadily grown to a group of more than 130 companies with over 38,000 employees located on all continents. The corporate headquarters of the Group is Liebherr-International AG in Bulle, Switzerland. The Liebherr family is the sole owner of the company.

www.liebherr.com

Liebherr-Hydraulikbagger GmbH

Liebherrstraße 12, D-88457 Kirchdorf/Iller
☎ +49 7354 80-0, Fax +49 7354 80-72 94
www.liebherr.com, E-Mail: info.lhb@liebherr.com
www.facebook.com/LiebherrConstruction