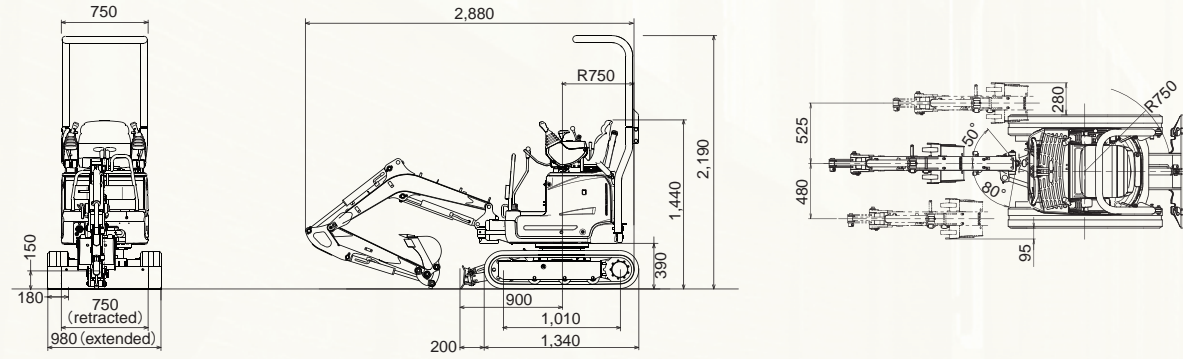


Dimensions

Unit: mm



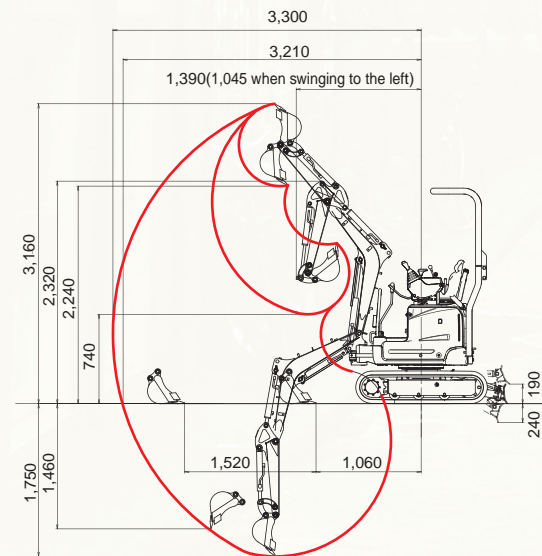
Specifications

●PERFORMANCE		
Bucket capacity	m ³	0.022 ISO heaped
Travel speed	km/h	3.7/2.0
Swing speed	min ⁻¹ {rpm}	9.0
Gradeability	%(°)	58(30)
Drawbar pulling force	kN	10.2
Bucket digging force	kN	10.8
Arm crowding force	kN	6.2
●WEIGHT		
Machine mass	kg	1,040
Ground pressure	kPa	27.0
●ENGINE		
Model	YANMER 2TNV70-WYB	
Type	Swirl-chamber, water-cooled, 2-cylinder, 4-cycle diesel	
Power output	6.1(8.2PS)/2000min ⁻¹ (ISO14396)* 5.9(8.0PS)/2000min ⁻¹ (ISO9249)	
Max. torque	31.7/1,500 (ISO14396)* 31.2/1,500 (ISO9249)	
Displacement	ℓ	0.569
Fuel tank	ℓ	10.0
●HYDRAULIC SYSTEM		
Pump	Two variable displacement pumps and one gear pump	
Max. discharge flow	ℓ/min ⁻¹	2x11.0+6.0
Max. discharge pressure	MPa	20.6
Hydraulic capacity	ℓ	9.8(tank level) 14.2(system)
●DOZER BLADE		
Blade	mm	750/980 width x 200 height, 190 up, 240 down
●SIDE DIGGING		
Type	Boom swing type, offset angle: 80° to the left, 50° to the right	

*ISO14396 meets EU regulation

Working Range

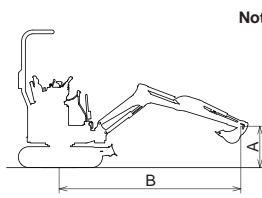
Unit: mm



Note: Red figures show the value of long arm specifications.

Lifting Capacities

B		LOAD RADIUS				
		1.0m (3' 3")	1.5m (4' 11")	2.0m (6' 7")	2.5m (8' 2")	3.0m (9' 10")
A	(8' 2") lb			*460	430	
	2.5m kg			*200	190	
	(6' 7") lb			*390	*390	330
	2.0m kg			*170	*170	150
	(4' 11") lb			*450	420	330
	1.5m kg			*200	190	150
	(3' 3") lb		760	640	470	400
	1.0m kg		340	290	210	180
	(1' 8") lb		700	590	440	380
	0.5m kg		310	270	200	170
GROUND LEVEL	lb	*900	*900	670	570	430
	kg	*410	*410	300	250	190
(-1' 8")	lb	1,430	1,150	670	560	420
	kg	650	520	300	250	190
(-3' 3")	lb	1,460	1,170	680	570	430
	kg	660	530	310	260	190
(-4' 11")	lb					
	kg					



Rating over front
Rating over side or 360 degrees
Based on machine equipped with
Arm 925 mm (3' 0") arm
Bucket 0.022 m³ ISO (0.03 cu. yd)
Shoe 180 mm (7' 1") rubber shoe
Dozer blade up

- Note:
- Do not attempt to lift or hold any load that is greater than these lift capacities at their specified lift point radius and height. Weight of all accessories must be deducted from the above lift capacities.
 - Lift capacities are based on machine standing on level, firm, and uniform ground. User must make allowance for job conditions such as soft or uneven ground out of level conditions, side loads, sudden stopping of loads, hazardous conditions, experience of personnel, etc.
 - Bucket lift hook is defined as lift point.
 - The above lift capacities are in compliance with ISO 10567. They do not exceed 87% of hydraulic lift capacity or 75% of tipping load. Lift capacities marked with an asterisk (*) are limited by hydraulic capacity rather than tipping load.
 - Operator should be fully acquainted with the operator's and Maintenance Instructions before operating this machine and rules for safe operation of equipment should be adhered to at all times.
 - Lift capacities apply to only machine as originally manufactured and normally equipped by KOBELCO CONSTRUCTION MACHINERY CO., LTD.

Note: This catalog may contain attachments and optional equipment that are not available in your area. And it may contain photographs of machines with specifications that differ from those of machines sold in your areas. Please consult your nearest KOBELCO distributor for those items you require. Due to our policy of continuous product improvements all designs and specifications are subject to change without advance notice.
Copyright by KOBELCO CONSTRUCTION MACHINERY CO., LTD. No part of this catalog may reproduce in any manner without notice.

KOBELCO CONSTRUCTION MACHINERY CO., LTD.

17-1, Higashigotanda 2-chome, Shinagawa-ku, Tokyo 141-8626 JAPAN
Tel: +81 (0) 3-5789-2146 Fax: +81 (0) 3-5789-2135
www.kobelco-kenki.co.jp/english_index.html

Inquiries To:

MINI EXCAVATORS

KOBELCO

SR Series

SK10SR

Bucket capacity: 0.022 m³ ISO heaped
Engine Power: 6.1kW{8.2 PS} 2,000 min⁻¹{rpm} (ISO14396)
Machine mass: 1,040 kg



That's KOBELCO!
Your First Choice

Powerful Digging Performance

Wide operating range

●Max. digging depth: **1,750 mm** ●Max. digging reach: **3,300 mm** ●Max. digging height: **3,160 mm**

Compactness

Passes through openings less than 900 mm wide.

The retraction width between the crawlers is **750 mm, including roll bars – the smallest in this class.**

The minimum crawler width lets it pass easily through narrow passages and access enclosed spaces.

Crawler width adjustable from 750 mm to 980 mm

Hydraulic crawler adjustment using a lever near the operator's leg makes it easy to adjust the crawler width. Retract the crawlers to pass through narrow passages and expand them to work safely and stably.



The dozer blade width is adjustable to machine width.

The swing-to-fold design requires no tools to adjust the dozer blade – simply insert or remove pins.

Smallest in its class!

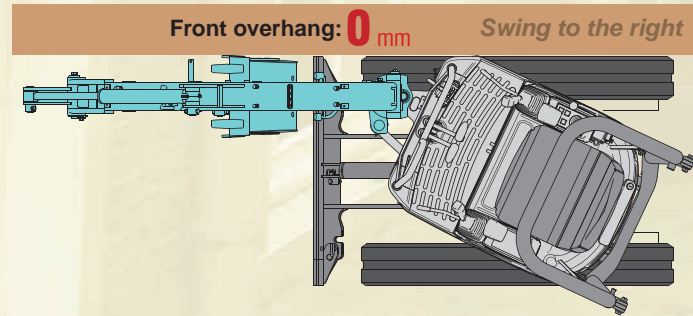


750 mm
980 mm

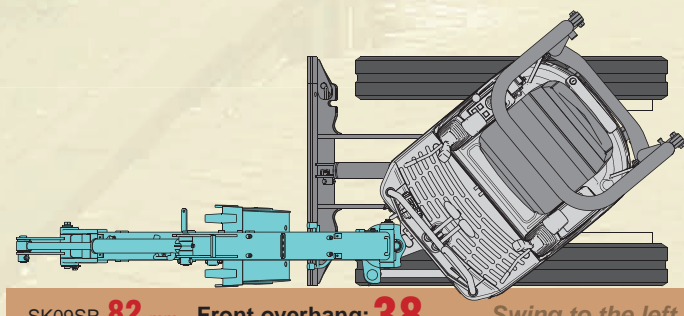
Excellent Performance

High quality digging along walls

The swing boom enables excavation and ditch digging along walls. The cab floor's low-profile corners enable digging right next to walls.



Front overhang: **0 mm** Swing to the right



SK09SR **82 mm** Front overhang: **38 mm** Swing to the left

Best for work in confined spaces!

Exceptional Durability

Maintaining long-term machine value

The cast steel upper frame is **robust in collisions.**

The new upper frame is a once piece casting with a counterweight. The front corner design anticipates collisions during swinging.

Reinforced attachment

The boom top's forged boom point avoids spreading. The swing bracket and idler links are cast to be strong. The pin connections use high-strength steel bushings.

Prevents hydraulic piping and hoses from breaking.



Bucket cylinder hoses inside the arm

Protective covers for boom-back hoses

Two piece boom cylinder hoses

Joint dozer hoses

High Strength!



Upper frame Tail overhang: **290 mm**

Protective covers for the boom cylinder

Easy Maintenance

Improved accessibility. Faster maintenance.

The full-open bonnets ease and speed maintenance.

Control boxes on both sides have unitized, fully opening bonnets. The large opening greatly improves ease of maintenance in filling the radiator with water, adding hydraulic oil, and charging the battery -- all conventionally time-consuming. Easy access without operation levers getting in the way.



New features make maintenance easy.



●Hydraulic oil tank gauge on the left guard

●Fuel tank gauge on the left guard

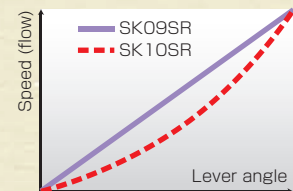
Attachment lubrication every 250 hours except around the bucket.

Operability

Left and right operation levers have the same feel as with heavy equipment.

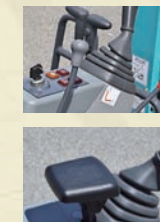
Side levers make operation easy and comfortable.

Uses side levers -- the same as higher grade models. Ample leg room provides a stress-free position, enhancing operator comfort. The quick response hydraulic-pilot system is easy to operate and fine tune.



Operation levers enhance smooth startup.

Adjust control valves to make operation smooth. Reducing startup hydraulic oil eases startup.



Inching work is easy with the dozer.

Improved dozer jogging performance enables good quality ground leveling.

Arm rest

Why so popular?



Transport

Approaches work areas quicker and more safely.

Dozer approach angle of 30 degrees

The dozer is angled so that the machine can crawl on and off truck platforms safely and easily without hitting loading ramps.

Lifting eyes are standard features.



Lifting eyes make machines easy to load and unload from truck platforms with a crane. Three-point lifting enhances safety.

Safety

Operator Safety

The standard roll bar feature complies with ROPS & TOPS specifications.

The roll bar complies with ROPS & TOPS specifications.

Travel Alarm

Turning on this switch sounds an alarm when the machine is moving to call attention to its movement.



Tool-free!



Fuel filter

Control valve
Radiator

Install optional attachments easily.



Control-valve service valves are standard features, making it easy to install breakers and nibblers.

Side guards are easy to remove.

Checking control valves and cleaning the radiator are quick and easy.