

**VOLVO MOTOR GRADERS**

# **G930**



**MORE CARE. BUILT IN.**



# SPECIFICATIONS

## G930

### Base operating weight - approximate

Weights shown include enclosed low profile cab with ROPS, all operating fluids, operator and standard equipment.

Base - Total	kg (lb)	15 800 (34,830)
On front wheels	kg (lb)	4 700 (10,360)
On rear wheels	kg (lb)	11 100 (24,470)
Maximum combined capacity	kg (lb)	19 280 (42,500)
Maximum weight - front	kg (lb)	7 570 (16,700)
Maximum weight - rear	kg (lb)	14 240 (31,400)

Note that adding weight and attachments to the base grader may necessitate a tire upgrade as maximum weight capacity of tire may be exceeded.

### Productivity (Standard equipment)

Blade pull at base weight (0.9 traction co-efficient)	kg (lb)	9 990 (22,023)
Blade pull at maximum base weight (0.9 traction co-efficient)	kg (lb)	12 816 (28,260)
Blade down force capability	kg (lb)	8 188 (18,021)



Blade down force is the maximum downward force which may be applied at the cutting edge.

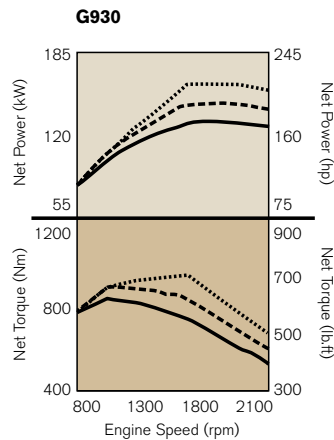
### Engine data

Model		Volvo D7E
Turbocharged, aftercooled with replaceable wet-type cylinder liners.		
No. of cylinders		In Line 6
Bore & stroke	mm (in)	108 x 130 (4.25 x 5.12)
Displacement	l (cu in)	7,2 (436)
Engine certified to US EPA Tier 3/EU Stage IIIA exhaust emission standards.		
Electrical system		24 volt - 1920 watt (80 amp) alternator
Batteries (two 12 volt) maintenance free, heavy duty		760 CCA 170 RC
Two 12 volt 1125 CCA (195 RC) or 1300 CCA (385 RC) batteries available optionally.		

### Engine performance curve

#### Legend

.....	High Range
-----	Mid Range
————	Base Power
	Engine Power
	Engine Torque



**G930****3 Range engine power control**

Base range power

Rated net brake horsepower @ 1900 RPM <sup>§</sup>	kW (hp)	115 (155)
Torque	N.m (lb.ft)	906 (668) @1200

Mid range power

Rated net brake horsepower @ 1900 RPM <sup>§</sup>	kW (hp)	130 (175)
Torque	N.m (lb.ft)	915 (675) @1400

High range power

Rated net brake horsepower @ 2100 RPM <sup>§</sup>	kW (hp)	145 (195)
Maximum net horsepower @ 1800 RPM	kW (hp)	154 (204)
Torque	N.m (lb.ft)	928 (684) @1550

Engine de-rating at 3 000 m (9,800 ft) altitude None

Rated net horsepower SAE J1349/ISO 9249

<sup>§</sup>Optional, operator controlled Power / Speed Engine Mode allows 2100 RPM in Base and Mid power ranges.

Not available in the European Union.

**Transmission**

Fully sequential, direct drive, Volvo powershift transmission. Engine cannot be started if transmission is in gear. Single lever electronic transmission controller provides self-diagnostics and overspeed protection. Optional HTE1160 has automatic shifting and travel mode as standard equipment.

Approximate values - ground speeds may vary based upon tire brand

Transmission	HTE840 8-Speed			HTE1160 11-Speed	
	Tire Size	14:00		17.5	14:00
Gear @ RPM	km/h (mph)	km/h (mph)	Gear @ RPM	km/h (mph)	km/h (mph)
F1 @ 1900	3,8 (2.4)	3,8 (2.4)	F1 @ 1900	3,0 (1.9)	2,9 (1.8)
F2 @ 1900	5,3 (3.3)	5,3 (3.3)	F2 @ 1900	3,9 (2.4)	3,8 (2.4)
F3 @ 1900	7,5 (4.7)	7,4 (4.6)	F3 @ 1900	5,2 (3.2)	5,1 (3.2)
F4 @ 1900	10,5 (6.5)	10,3 (6.5)	F4 @ 1900	6,7 (4.2)	6,6 (4.1)
F5 @ 1900	14,9 (9.3)	14,7 (9.2)	F5 @ 1900	8,8 (5.5)	8,7 (5.4)
F6 @ 2100	20,8 (13.0)	20,5 (12.8)	F6 @ 1900	11,4 (7.1)	11,2 (7.0)
F7 @ 2100	32,2 (20.1)	31,8 (19.9)	F7 @ 1900	16,6 (10.4)	16,4 (10.3)
F8 @ 2100	44,9 (28.1)	44,4 (27.7)	F8 @ 2100	22,2 (13.9)	21,9 (13.7)
			F9 @ 2100	28,8 (18.0)	28,4 (17.8)
			F10 @ 2100	37,7 (23.6)	37,2 (23.3)
			F11 @ 2100	48,8 (30.5)	48,2 (30.1)
R1 @ 1900	3,8 (2.3)	3,7 (2.3)	R1 @ 1900	2,9 (1.8)	2,9 (1.8)
R2 @ 1900	7,4 (4.6)	7,3 (4.5)	R2 @ 1900	5,1 (3.2)	5,0 (3.1)
R3 @ 1900	14,6 (9.1)	14,4 (9.0)	R3 @ 1900	8,6 (5.4)	8,5 (5.3)
R4 @ 2100	31,6 (19.8)	31,2 (19.5)	R4 @ 1900	12,6 (7.9)	12,5 (7.8)
			R5 @ 2100	21,8 (13.6)	21,5 (13.5)
			R6 @ 2100	37,1 (23.2)	36,6 (22.9)

Engine Power Range	Transmission Gear	
	Volvo HTE840	Volvo HTE1160
Base	F1, F2 R1	F1, F2, F3 R1, R2
Mid	F3, F4, F5 R2, R3	F4, F5, F6, F7 R3, R4
High	F6, F7, F8 R4	F8, F9, F10, F11 R5, R6

**G930****Tandems**

Depth	mm (in)	226,5 (8.9)
Height	mm (in)	616 (24.25)
Thickness		
inner wall	mm (in)	25 (1)
outer wall	mm (in)	20 (.78)
Center distance	mm (in)	1 550 (61)
Drive chain pitch	mm (in)	51 (2)
Oscillation	degrees ±	15°

**Differential / Final drive**

Model	Volvo APR70
-------	-------------

Planetary final reduction with an operator controlled wet multiple disc lock/unlock differential.

**Wheels & tires (Standard equipment)**

Tire size	14:00 x 24, G-2
Ply rating (PR)	12
Rim size	mm (in) 223 (9) One piece rim
Bolt-on rims interchangeable between front and rear	Yes

**Front axle and articulation**

Wheel lean	degrees R & L	18°
Oscillation	degrees up & down	16°
Ground clearance	mm (in)	610 (24)
Minimum turning radius using front axle steering, articulation, wheel lean and unlocked differential	mm (ft)	7 265 (23'10")
Steering arc	degrees	50°
Frame articulation angle	degrees	23°

Anti-drift lock valve ensures stable operation. Articulation lock standard.

Hydrostatic power steering of front wheels incorporating two steering cylinders. Meets SAE J1511 FEB. 94, ISO 5010:1992, EN12643:1997 with optional secondary steering.

**Brakes**

Service Brakes: Foot operated

Fade resistant, hydraulically actuated, wet multiple disc service brakes located at the 4 tandem drive wheels are fully sealed and maintenance free. System features crossover dual braking circuits for uniform braking on both sides of the grader. Includes reserve power assist and operator warning system (visual and audible).

Parking Brake

Spring applied hydraulically released enclosed wet multiple disc type parking brake in final drive.

Effective on all 4 tandem drive wheels.

Transmission cannot be engaged with park brake on.

Braking systems comply to SAE J/EN ISO 3450:1996.

Volvo uses asbestos free brake components.



**G930****Front Frame** Fabricated – Robotically welded

Minimum dimensions of box section	mm (in)	265 x 340 (10.5 x 13.5)
Plate thickness sides, top & bottom	mm (in)	20 (.79)
Vertical section modulus at arch	cm <sup>3</sup> (cu in)	1 950 (119)
minimum	cm <sup>3</sup> (cu in)	1 663 (101)
maximum	cm <sup>3</sup> (cu in)	3 474 (212)

**Rear Frame** – Full perimeter type

Minimum dimensions of side rail	mm (in)	254 x 100 (10 x 4)
Side plate thickness	mm (in)	9,6 (.38)

Optional first user lifetime warranty on frame, includes maintenance free articulation pins and bearings.

**Moldboard**

Standard moldboard with replaceable end bits	mm (in)	22 x 635 x 3 658 (.87 x 25 x 12')
Moldboard material		SAE 1050 high carbon steel
Edge: through hardened	mm (in)	152 x 16 (6 x 5/8) boron steel
Bolt spacing	mm (in)	152 (6)
Bolt size	mm (in)	16 (5/8)
Slide rails supported by Duramide™ bearings		YES

**Moldboard range: Moveable Blade Control System**

(Dimensions shown with standard 14:00 tires and moldboard)

		Left/Right
Reach outside tires - articulated frame	mm (in)	3 048/3 035 (120/119.5)
Reach outside tires - straight frame	mm (in)	2 020/2 010 (80/79)
Moldboard slide	mm (in)	673/673 (26.5/26.5)
Circle side shift	mm (in)	775/749 (30.5/29.5)
Maximum bank sloping angle, left - right	degrees	90°/90°
7 Position Blade Control system linkage		YES
Moldboard ground clearance	mm (in)	445 (17.5)
Moldboard cutting depth	mm (in)	790 (31)
Moldboard tilt range	degrees forward degrees back	47° 5°

Superior moldboard mobility permits steep ditch cutting angles and back sloping outside overall machine width.

**G930****Circle**

Pitch diameter	mm (in)	1 626 (64)
Thickness	mm (in)	32 (1.25)
Adjustable guide shoes - standard / optional		3 / 5
Adjustable clamp plates - standard / optional		3 / 5
Upper circle wear plates - standard / optional		3 / 5

Circle to drawbar support is provided by Duramide™ wear plates and bearings at the clamp and guide shoes. Duramide™ prevents metal-to-metal contact and provides maximum service life.

**Circle drive**

The Volvo dual gear Circle Drive System uses direct acting hydraulic power for exceptional turning and holding capability under full load. Circle Drive System uses two hardened drive pinions and is protected against impact damage by an overload relief valve as standard equipment.

Rotation	degrees	360°
----------	---------	------

**Drawbar**

Dimensions of box section	mm (in)	165 x 165 (6.5 x 6.5)
Plate thickness	mm (in)	25 & 19 (1 & .75)

**Cab & controls**

Low profile cab with ROPS/FOPS

Interior height	mm (in)	1 620 (64)
-----------------	---------	------------

An optional full height cab is available with an inside height of 1 837 mm (72.5").

All Volvo Grader cabs and canopies are designed to meet or exceed SAE J/ISO 3471-1:2004 and EN 13510:2000 ROPS requirements and SAE J/ISO 3449:2005 Level 2 FOPS requirements.

The retractable seatbelt is 76 mm (3") wide and meets SAE J386 NOV. 97 and EN ISO 6683:1999. Industry standardized control lever arrangement.

Interior operator noise levels average 72 dB(A) per ISO 6394:1998 (enclosed cab).

**Implement hydraulics**

Circuit type: Closed center, load sense Proportional Demand Flow (PDF) Hydraulic System, with O-ring face seal hose connections.

Main implement pump type		Axial piston type
Maximum pressure	Bar (psi)	207 (3,000)
Output 2100 RPM	lpm (gpm)	208 (55)
Stand by pressure	Bar (psi)	24 (350)

Large capacity, replaceable in-tank filter. Filters both system and re-fill oil. Low level and high temperature operator warning.

**Hydraulic fan drive pump**

Separate axial piston pump dedicated to the variable speed cooling fan. Reversible cooling fan optionally available.

**G930**

**Capacities**

Fuel tank	l (U.S. Gal.)	340 (90)
Transmission	l (U.S. Gal.)	61 (16)
Final drive	l (U.S. Gal.)	22,7 (6)
Tandems (each)	l (U.S. Gal.)	100 (26.4)
Hydraulic oil tank	l (U.S. Gal.)	91 (24)
Coolant antifreeze protection to -50° C (-58° F) approx	l (U.S. Gal.)	31 (8.2)
Engine oil	l (U.S. Gal.)	21,5 (5.7)

**Attachments**

(Optional unless otherwise stated as standard equipment)

Push Block	kg (lb)	515 (1,138)
Ripper includes rear frame arch support and links	kg (lb)	1 495 (3,295)
Mid Mount Scarifier	kg (lb)	905 (1,995)
Front Mount Scarifier	kg (lb)	715 (1,575)
Dozer: 2,4 m (8')	kg (lb)	1 080 (2,380)
2,7 m (9')	kg (lb)	1 140 (2,515)

**Dimensions**

All dimensions are approximate.

A	mm (in)	8 930 (352)
B	mm (in)	2 675 (105)
C	mm (in)	6 280 (247)
D	mm (in)	2 076 (82)
E	14:00 mm (in) 17.5 mm (in)	2 537 (100) STD 2 717 (107)
F	mm (in)	3 225 (127)

**Legend**

A = Overall length

B = Bladebase per ISO 7134

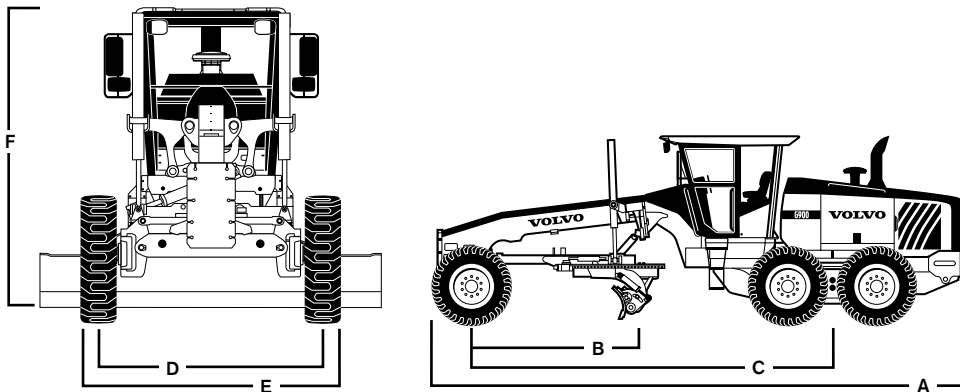
C = Wheelbase

D = Width - Front tire center lines

E = Width - Outside tires

F = Overall height with Low Profile Cab

Add 217 mm (8.5") for full height cab



# STANDARD FEATURES / OPTIONAL EQUIPMENT

Model (S - Standard / O - Optional)	G930	G940	G946	G960	G970	G976	G990
<b>Powertrain</b>							
Volvo engines are certified to US Tier 3/EU Stage IIIA emission criteria	S	S	S	S	S	S	S
Rear axle, operator controlled, lock/unlock differential with planetary final reduction	S	S	S	S	S	S	S
4 wheel wet disc braking system with crossover dual circuits and reserve power assist	S	S	S	S	S	S	S
Spring applied wet multiple disc park brake with operator warning alarm and indicator	S	S	S	S	S	S	S
Electronic hand throttle with RPM hold and resume functions	S	S	S	S	S	S	S
Operator controlled Power/Speed engine mode (N/A in the European Union)	O	O	O	O	O	O	O
Direct drive, power shift Volvo HTE840 transmission with 8 forward and 4 reverse gears	S	S	S	S	S	S	S
Single transmission control lever, with electronic over speed protection, advanced memory shift and park position lockout with hinged transmission guard	S	S	S	S	S	S	S
Transmission Autoshift and Travel functions	O	O	O	O	O	O	O
Direct Forward to Reverse shuttle shift capability without using the Inching pedal	S	S	S	S	S	S	S
Volvo HTE1160 Transmission - 11 speeds forward 6 speeds reverse includes Autoshift and travel functions	O	O	O	O	O	O	O
Hydraulically driven – variable speed cooling fan	S	S	S	S	S	S	S
Reversible cooling fan - manual or automatic modes	O	O	O	O	O	O	O
Automatic engine protection lowers engine torque and speed if critical conditions occur	S	S	S	S	S	S	S
<b>Electrical</b>							
Cab mounted headlights with dimmer switch	S	S	S	S	S	S	S
Lights; backup, tail, stop and directional	S	S	S	S	S	S	S
Backup alarm 112 dB(A)	S	S	S	S	S	S	S
Moldboards work lights - 2 or 4	O	O	O	O	O	O	O
Rear work lights - 2 or 4	O	O	O	O	O	O	O
Corner cab work lights - left or right - 2	O	O	O	O	O	O	O
2460 watt (110 amp) alternator	O	O	O	O	O	O	O
24 volt to 12 volt converter - 600 or 1440 watt (30 or 60 amp) with power point	O	O	O	O	O	O	O
<b>Productivity</b>							
Heavy duty circle support system	O	O	O	O	O	O	S
Metallic lower moldboard slide bearing	O	O	O	O	O	O	S
Hinged cooling module fan door for easy trash clean out	S	S	S	S	S	S	S
Ground level fueling	S	S	S	S	S	S	S
Lockable tool box with storage space for scarifier shanks	S	S	S	S	S	S	S
Brackets for Automatic Blade Control System installation	O	O	O	O	O	O	O
Under side rear guards	O	O	O	O	O	O	O
Parts and Service Manual on CD - English only	O	O	O	O	O	O	O
Front fenders/lean and steer with tire - plastic	O	O	O	O	O	O	O
Rear fenders – oscillates with tandem - steel	O	O	O	O	O	O	O
<b>Hydraulics</b>							
Proportional Demand Flow hydraulic system with short throw, low effort control levers	S	S	S	S	S	S	S
10 section hydraulic control valve - includes two spare sections with levers	S	S	S	S	S	S	S
Circle turn relief located integral with main manifold	S	S	S	S	S	S	S
Hydraulic oil level monitor via Contronics	S	S	S	S	S	S	S
Blade Lift Float Control, independent right and left detent style	O	O	O	O	O	O	O
Front attachment float control, detent style, independent of other float valves	O	O	O	O	O	O	O
Up to 5 additional remote valve locations for attachments	O	O	O	O	O	O	O
Blade lift accumulators – operator controlled from cab	S	S	S	S	S	S	S
Secondary steering (power assisted)	O	O	O	O	O	O	O
<b>Other</b>							
First user lifetime frame warranty – includes articulation pins and bearings	O	O	O	O	O	O	O
Low ambient fluids for extreme cold conditions below -10° C (-14° F)	O	O	O	O	O	O	O
Sound reduction packages (Standard in EU markets)	O	O	O	O	O	O	O
Rear licence plate bracket	O	O	O	O	O	O	O
Air compressor - engine driven with tank capable of operating hand tools	O	O	O	O	O	O	O
Volvo CareTrack – remote monitoring system	O	O	O	O	O	O	O



Model (S - Standard / O - Optional)	G930	G940	G946	G960	G970	G976	G990
<b>Operator Cab</b>							
Two lockable operator cab doors complete with inside and ground level releases	S	S	S	S	S	S	S
Illuminated entry when cab doors are opened - enclosed cab only	S	S	S	S	S	S	S
Adjustable steering control pedestal with tilt head for maximum operator comfort	S	S	S	S	S	S	S
Gauges include: coolant temperature, engine oil pressure, fuel level, hourmeter, articulation angle indicator	S	S	S	S	S	S	S
Multi-function Volvo Contronic Monitoring System with visual and audible warnings	S	S	S	S	S	S	S
Deluxe, cloth covered, fully adjustable suspension seat when grader is equipped with an enclosed cab - 75 mm (3") retractable seatbelt	S	S	S	S	S	S	S
Deluxe air suspension, cloth covered, fully adjustable suspension seat - 75 mm (3") retractable seatbelt	O	O	O	O	O	O	O
Left and right outside dual rear view mirrors	S	S	S	S	S	S	S
Fold-away left and right outside dual rear view mirrors	O	O	O	O	O	O	O
Heated outside left and right dual rear view mirrors	O	O	O	O	O	O	O
Dual interior rear view mirrors	S	S	S	S	S	S	S
Enclosed Low Profile Cab with ROPS and FOPS – left and right cab door with steps	S	S	S	S	S	S	S
Enclosed High Profile Cab with ROPS and FOPS – left and right cab door with steps	O	O	O	O	O	O	O
Low Profile canopy shell (SPLIT) with ROPS – left and right entry with steps	O	O	O	O			
Cab heater - 50,000 BTU with cab pressurizer and replaceable filters, 10 outlets	S	S	S	S	S	S	S
Air conditioner - 35,000 BTU • HFC-134a (non-CFC refrigerant) with cab heater	O	O	O	O	O	O	O
Defroster fan with 5 outlets directed at front windows and doors	O	O	O	O	O	O	O
Radio/CD player with 4 concealed speakers in head liner	O	O	O	O	O	O	O
Single arm front cab wiper and washer, enclosed cab	S	S	S	S	S	S	S
Single arm wiper and washer - rear window	O	O	O	O	O	O	O
Single arm wiper and washer - lower windows front left & right	O	O	O	O	O	O	O
Dual arm front windshield, increased coverage, Low Profile Cab only	O	O	O	O	O	O	O
Intermittent wipers on all wipers ordered	O	O	O	O	O	O	O
Window - lower front - opening	O	O	O	O	O	O	O
Window - left/right side - opening sliders with multiple position openings	O	O	O	O	O	O	O
Lower cab shield, encloses bottom of cab to frame	O	O	O	O	O	O	O

Model (S - Standard / O - Optional)	G930	G940	G946	G960	G970	G976	G990
<b>Tires and Rims - Availability and approximate weight increase from base operating weight</b>							
Tires - Consult your Volvo dealer for full offering							
14:00 x 24 Bias	S	S	S	S	S	S	
14:00 x 24 Radial kg (lb)	185 (410)	185 (410)	185 (410)	185 (410)	185 (410)	185 (410)	
17.5 x 25 Bias kg (lb)	120 (265)	120 (265)	120 (265)	120 (265)	120 (265)	120 (265)	
17.5 x 25 Radial kg (lb)	280 (615)	280 (615)	280 (615)	280 (615)	280 (615)	280 (615)	
16:00 x 24 Bias kg (lb)					310 (685)	310 (685)	S
16:00 x 24 Radial kg (lb)					510 (1,125)	510 (1,125)	200 (440)
20.5 x 25 Bias kg (lb)					445 (980)		130 (285)
20.5 x 25 Radial kg (lb)					605 (1,335)		295 (650)
Rims							
229 x 610 mm (9" x 24") one-piece	S	S					
254 x 610 mm (10" x 24") one-piece kg (lb)	25 (55)	25 (55)		S	S		S
254 x 610 mm (10" x 24") three-piece kg (lb)	200 (440)	200 (440)	S	175 (385)	175 (385)	S	175 (385)
330 x 635 mm (13" x 25") one-piece kg (lb)	105 (230)	105 (230)	105 (230)	105 (230)	105 (230)	105 (230)	
356 x 635 mm (14" x 25") three-piece kg (lb)	330 (725)	330 (725)	330 (725)	330 (725)	330 (725)	330 (725)	
432 x 635 mm (17" x 25") three-piece kg (lb)					320 (705)		320 (705)

<b>Moldboards - Availability and approximate weight increase from base operating weight</b>							
3 658 x 635 x 22 mm (12' x 25" x 7/8")	S	S	S	S			
3 962 x 635 x 22 mm (13' x 25" x 7/8") kg (lb)	54 (120)	54 (120)	54 (120)	54 (120)			
4 267 x 635 x 22 mm (14' x 25" x 7/8") kg (lb)	110 (240)	110 (240)	110 (240)	110 (240)			
3 658 x 737 x 25 mm (12' x 29" x 1") kg (lb)	N/A	120 (265)	120 (265)	120 (265)	S	S	
3 962 x 737 x 25 mm (13' x 29" x 1") kg (lb)	N/A	185 (410)	185 (410)	185 (410)	65 (145)	65 (145)	
4 267 x 737 x 25 mm (14' x 29" x 1") kg (lb)	N/A	250 (550)	250 (550)	250 (550)	130 (285)	130 (285)	
4 267 x 787 x 25 mm (14' x 31" x 1")							S
4 877 x 787 x 25 mm (16' x 31" x 1") kg (lb)							160 (350)
Moldboard extensions RIGHT or LEFT - 610 mm (2')	O	O	O	O	O	O	O
Moldboard edges - carbide 19 x 127 mm (3/4" x 5") or 25 x 203 mm (1" x 8") harden steel	O	O	O	O	O	O	O

Partial listing of available options. Certain features may be standard or not available within specific market. Consult your Volvo Motor Grader distributor for more information.



Volvo Construction Equipment is different. Our machines are designed, built and supported in a different way. That difference comes from an engineering heritage of over 175 years. A heritage of thinking first about the people who actually use the machines. About how to help them be safer, more comfortable, more productive. About the environment we all share. The result of that thinking is a growing range of machines and a global support network dedicated to helping you do more. People around the world are proud to use Volvo. And we're proud of what makes Volvo different – **More care. Built in.**



*Not all products are available in all markets. Under our policy of continuous improvement, we reserve the right to change specifications and design without prior notice. The illustrations do not necessarily show the standard version of the machine.*

# **VOLVO**

**Volvo Construction Equipment**  
[www.volvoce.com](http://www.volvoce.com)

Ref. No. VOE 21 C 100 2263  
Printed in pdf 2009.01  
Volvo, Goderich

English  
GRD